

For **all** your  
newfangled **gadgetry**.

# Streamline L-Shaped Desk

| Model 5414417

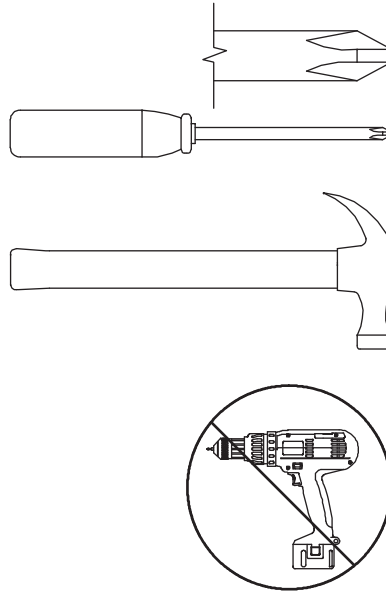
**NOTE:** THIS INSTRUCTION  
BOOKLET CONTAINS **IMPORTANT**  
SAFETY INFORMATION.

PLEASE READ AND KEEP FOR  
FUTURE REFERENCE.

# Table of Contents

# Assembly Tools Required

Part Identification	2-3
Hardware Identification	4
Assembly Steps	5-22
Safety	29-30
Warranty	31



No. 2 Phillips Screwdriver  
Tip Shown Actual Size

Hammer  
Not actual size 😊

Skip the power trip.  
This time.

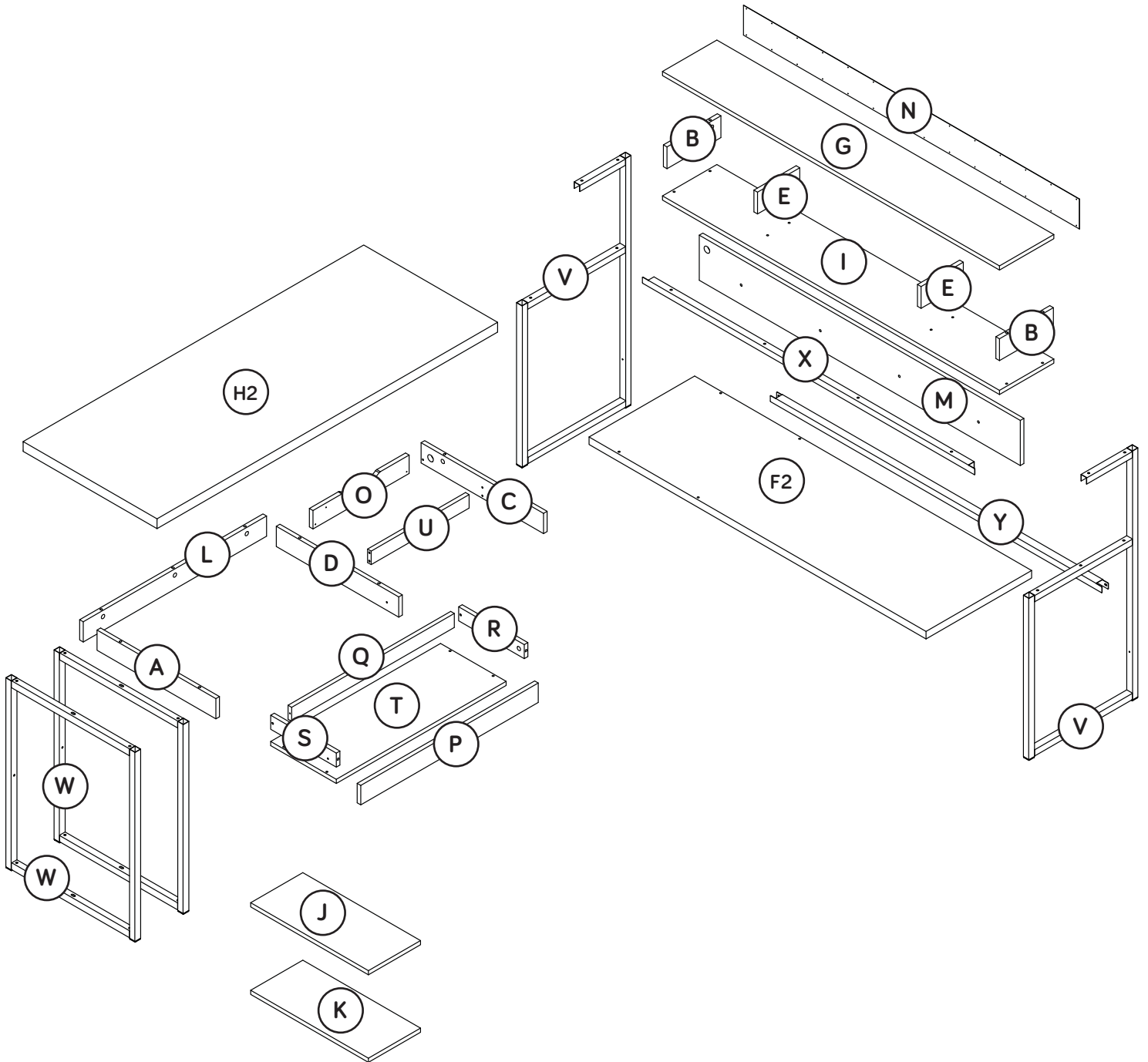
## Part Identification

⚠ While not all parts are labeled, some of the parts will have a label or an inked letter on the edge to help distinguish similar parts from each other. Use this part identification to help identify similar parts.

A	LOWER END (1)	J	SHELF (1)	S	LEFT DRAWER SIDE (1)
B	HUTCH END (2)	K	BOTTOM (1)	T	DRAWER BOTTOM (1)
C	UPRIGHT (1)	L	DESK BACK (1)	U	DIVIDER (1)
D	CENTER UPRIGHT (1)	M	LOWER BACK (1)	V	DESK FRAME (2)
E	HUTCH UPRIGHT (2)	N	HUTCH BACK (1)	W	RETURN FRAME (2)
F2	LOWER TOP (1)	O	FLIP DOWN DOOR (1)	X	UPPER MOLDING (1)
G	HUTCH TOP (1)	P	DRAWER FRONT (1)	Y	LOWER MOLDING (1)
H2	TOP (1)	Q	DRAWER BACK (1)		
I	HUTCH BOTTOM (1)	R	RIGHT DRAWER SIDE (1)		

# Part Identification

Now you know  
our ABCs.

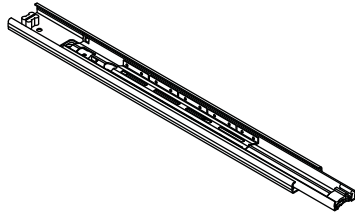


# Hardware Identification

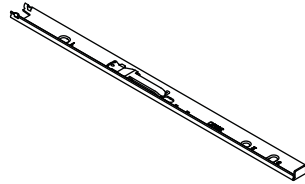
† Screws are shown actual size. You may receive extra hardware with your unit.

(EXTENSION SET SHOWN SEPARATED)

**35MA** EXTENSION RAIL - 2



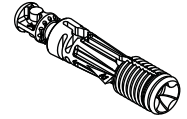
**35MC** EXTENSION SLIDE - 2



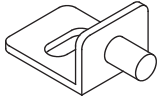
**1F** HIDDEN CAM - 19



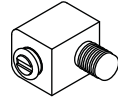
**2F** CAM DOWEL - 19



**15H** PIVOT HINGE - 6



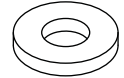
**2I** MAGNETIC CATCH - 1



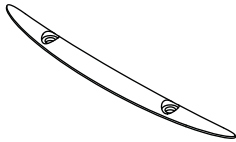
**6I** STRIKE PLATE - 1



**9I** WASHER - 2



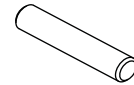
**21K** PULL - 1



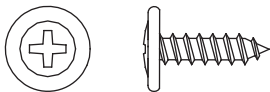
**1N** NAIL - 28



**1R** METAL PIN - 4



**1S** BLACK 9/16" LARGE HEAD SCREW - 20



**2S** BLACK 1-7/8" FLAT HEAD SCREW - 18



**3S** GOLD 5/16" FLAT HEAD SCREW - 8



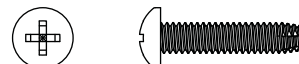
**11S** BLACK 1/2" FLAT HEAD SCREW - 3



**85S** BLACK 3/4" PAN HEAD SCREW - 12



**90S** BLACK 3/4" PAN HEAD SCREW (with flat end) - 2

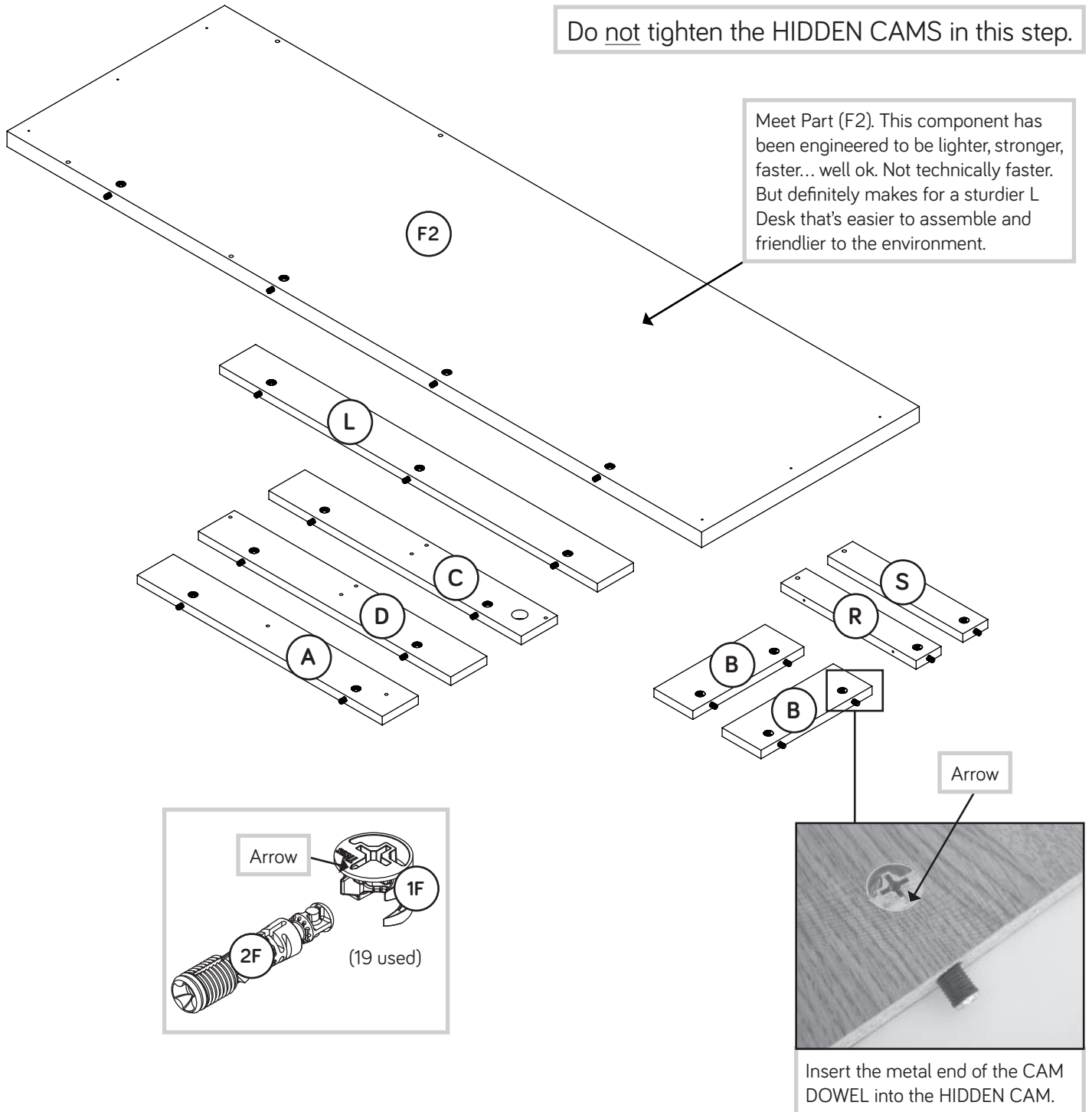


# Step 1

- ✚ Assemble your unit on a carpeted floor or on the empty carton to avoid scratching your unit or the floor.
- ✚ Push nineteen HIDDEN CAMS (1F) into the ENDS (A and B), UPRIGHTS (C and D), LOWER TOP (F2), DESK BACK (L), and DRAWER SIDES (R and S). Then, insert the metal end of a CAM DOWEL (2F) into each HIDDEN CAM.

Do not tighten the HIDDEN CAMS in this step.

Meet Part (F2). This component has been engineered to be lighter, stronger, faster... well ok. Not technically faster. But definitely makes for a sturdier L Desk that's easier to assemble and friendlier to the environment.

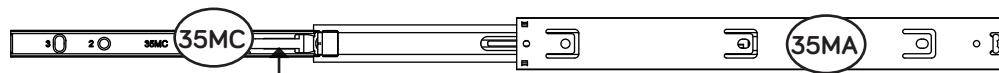


# Step 2

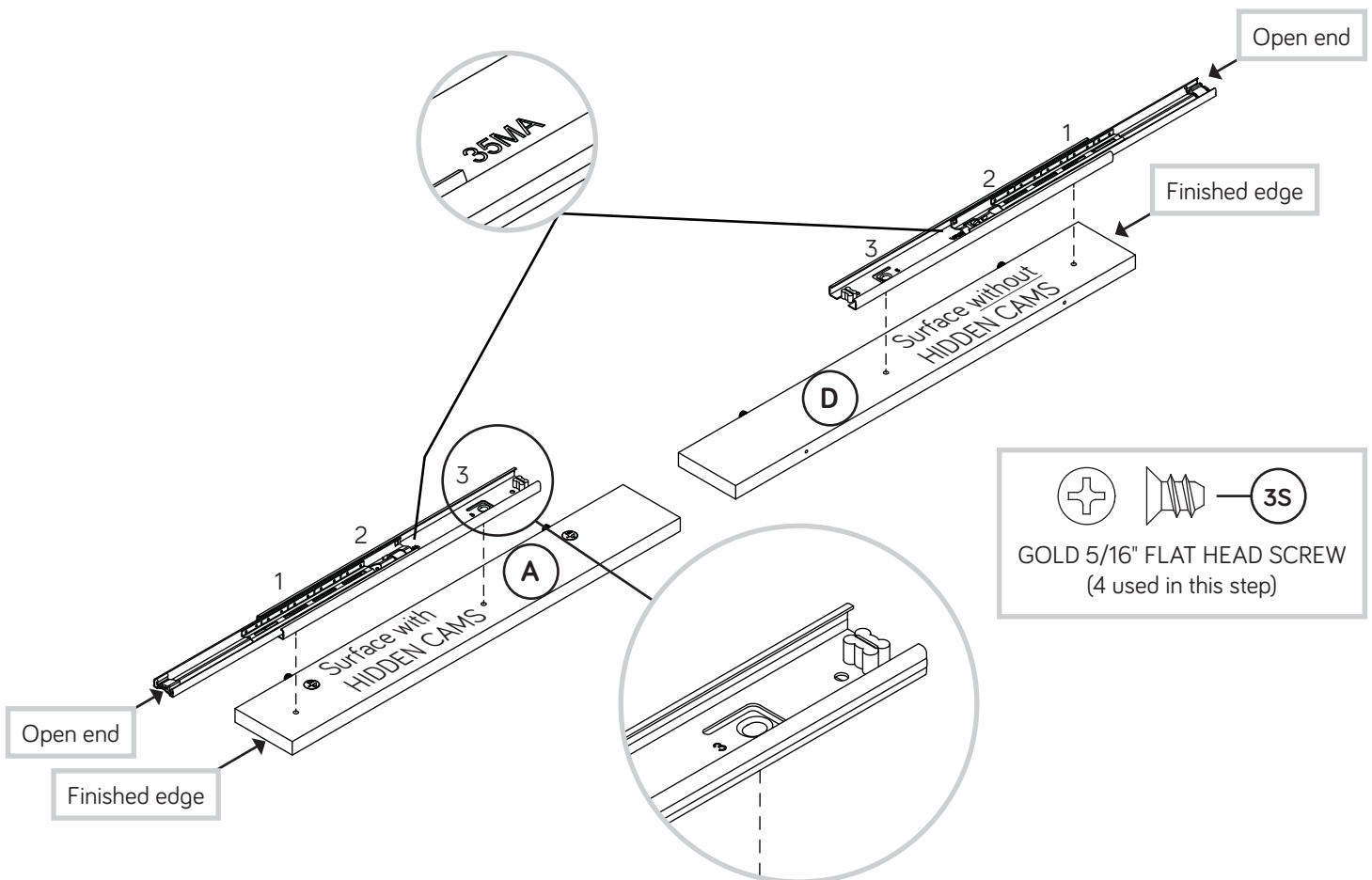
- ✚ Separate the EXTENSION SLIDES (35MC) from the EXTENSION RAILS (35MA) as shown in the upper diagram below. Be prepared, the parts are greasy.
- ✚ Fasten the EXTENSION RAILS (35MA) to the LOWER END (A) and CENTER UPRIGHT (D). Use four GOLD 5/16" FLAT HEAD SCREWS (3S) through holes #1 and #3.
- ✚ **NOTE:** For each EXTENSION RAIL, turn a SCREW into the hole shown in the enlarged diagram. Then, slide the inner cartridge of the EXTENSION RAIL in to find the other hole that lines up with the hole in the END and UPRIGHT. Turn a SCREW into this hole.



Remember:  
Righty tighty.  
Lefty loosey.



Push the black lever in and pull the SLIDE from the RAIL.

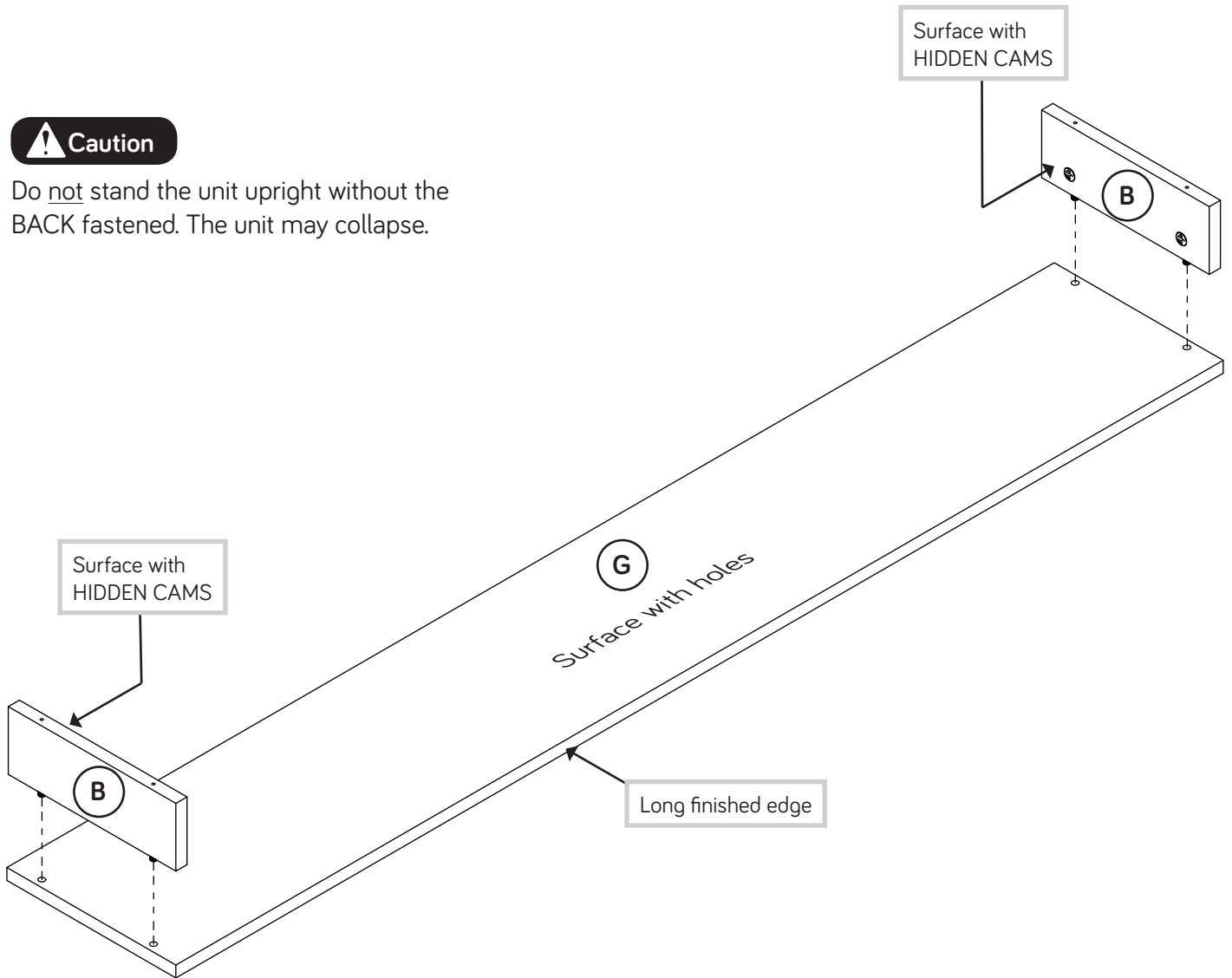


# Step 3

- Fasten the HUTCH ENDS (B) to the HUTCH TOP (G).  
Tighten four HIDDEN CAMS.

## ⚠ Caution

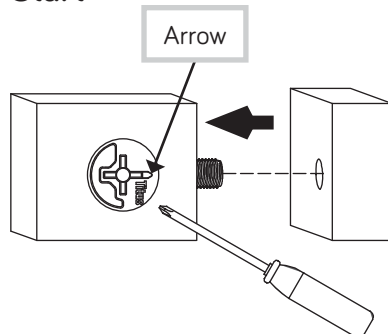
Do not stand the unit upright without the BACK fastened. The unit may collapse.



## ⚠ Caution

Risk of damage or injury. HIDDEN CAMS must be completely tightened. HIDDEN CAMS that are not completely tightened may loosen, and parts may separate. To completely tighten:

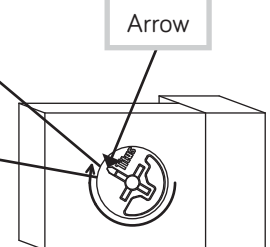
### Start



### Tighten

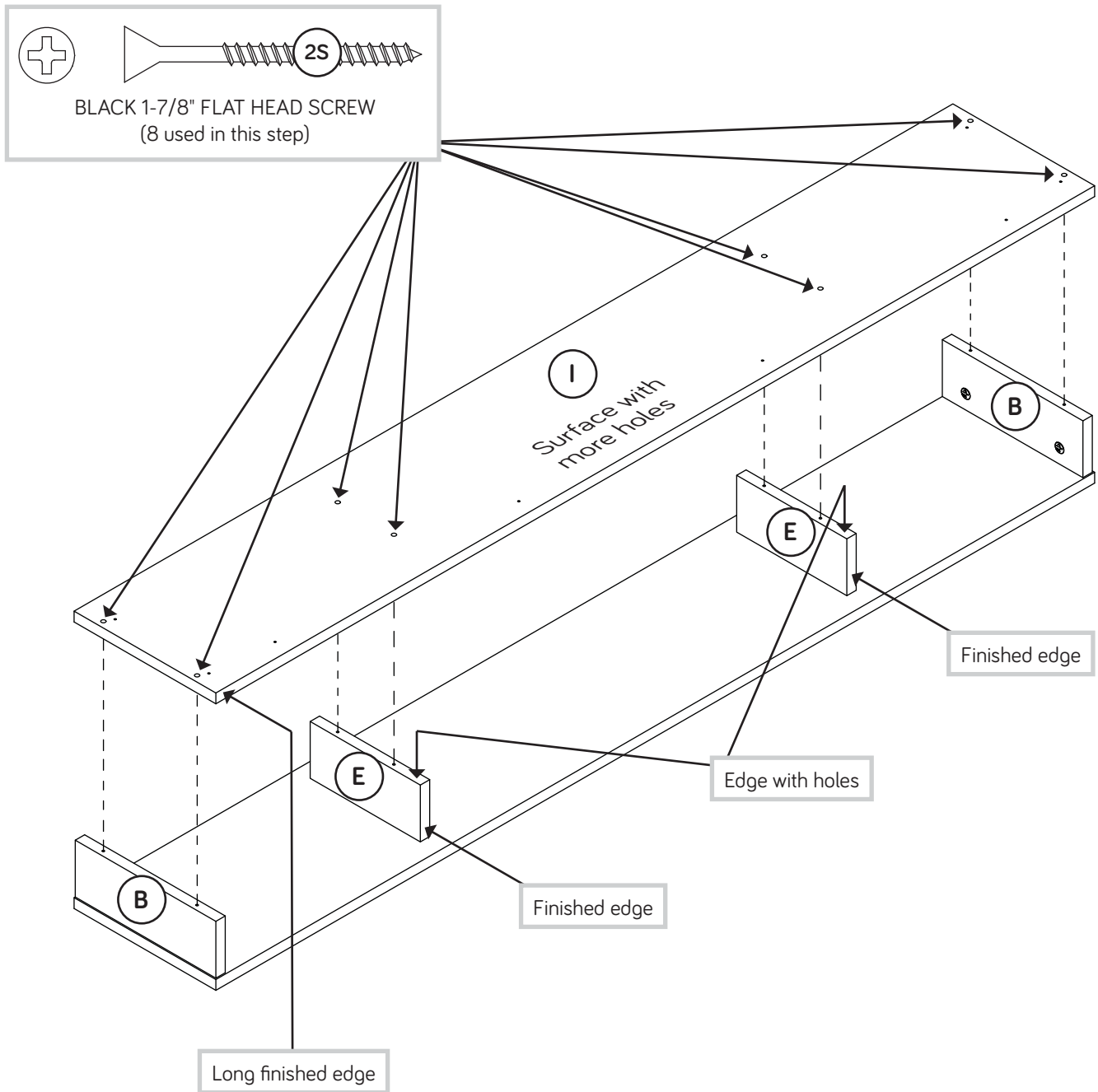
Maximum 210 degrees

Minimum 190 degrees



# Step 4

- ✚ Fasten the HUTCH UPRIGHTS (E) to the HUTCH BOTTOM (I). Use four BLACK 1-7/8" FLAT HEAD SCREWS (2S).
- ✚ **NOTE:** You should start each SCREW a few turns before completely tightening any of them.
- ✚ Fasten the HUTCH BOTTOM (I) to the HUTCH ENDS (B). Use four BLACK 1-7/8" FLAT HEAD SCREWS (2S).



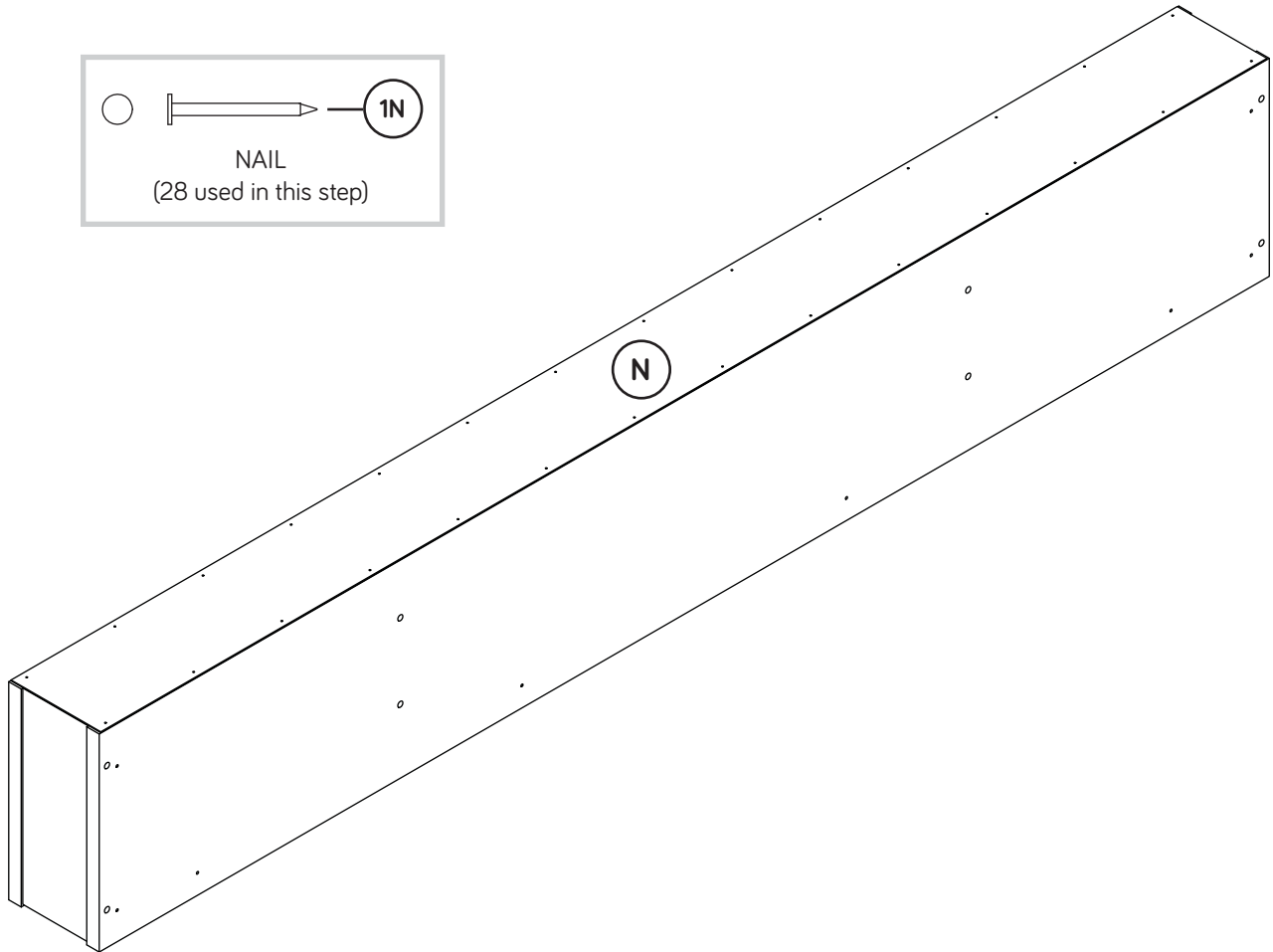
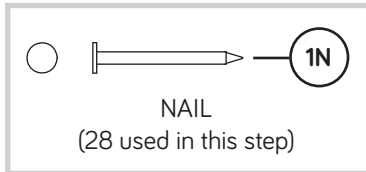


# Step 5

- ✚ Carefully turn your unit over onto its front edges. Lay the HUTCH BACK (N) over your unit.
- ✚ Make equal margins along all four edges of the HUTCH BACK (N). Push on opposite corners of your unit if needed to make it "square".
- ✚ Fasten the HUTCH BACK (N) to your unit using the NAILS (1N).

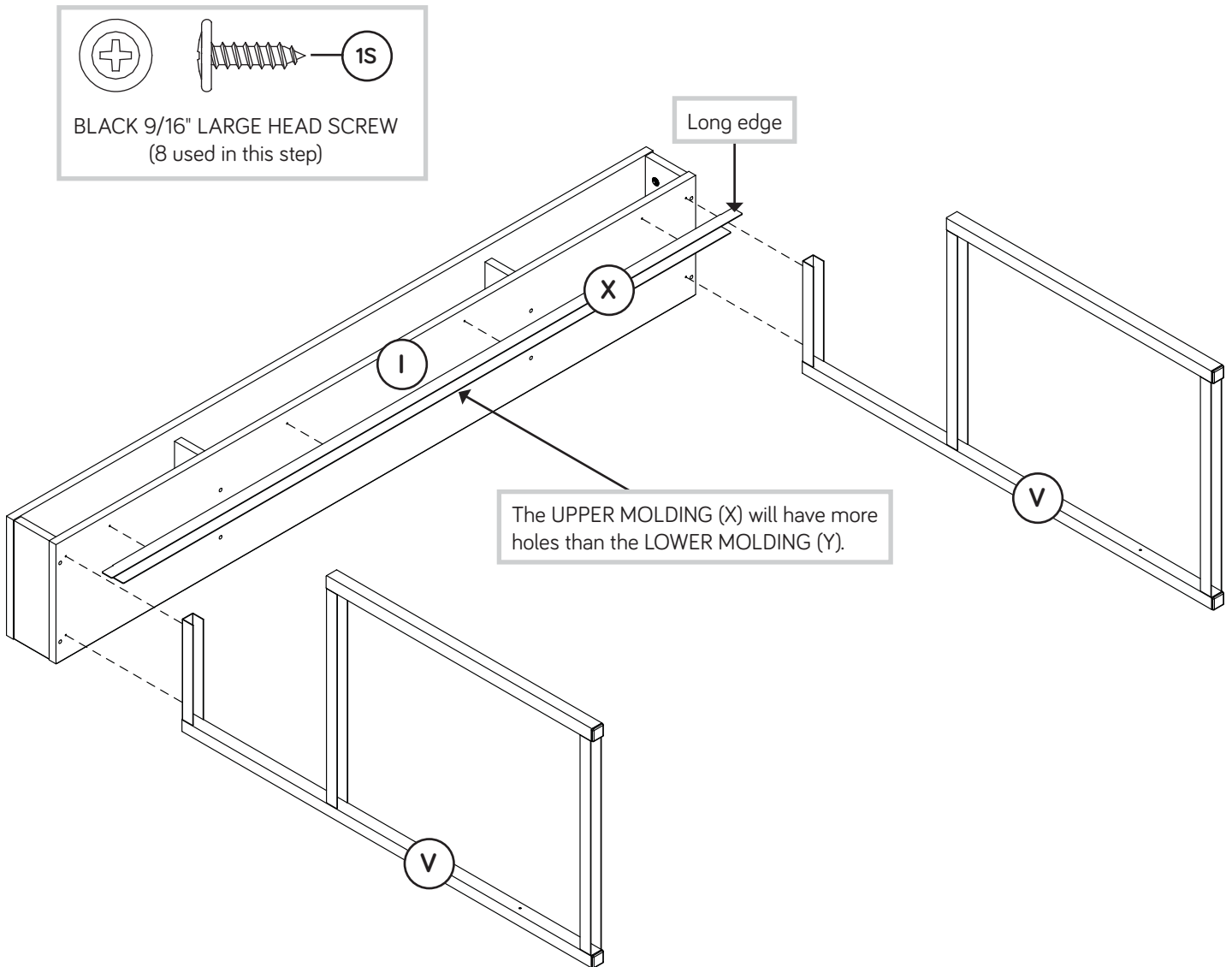


Do not stand the unit upright without the BACK fastened. The unit may collapse.



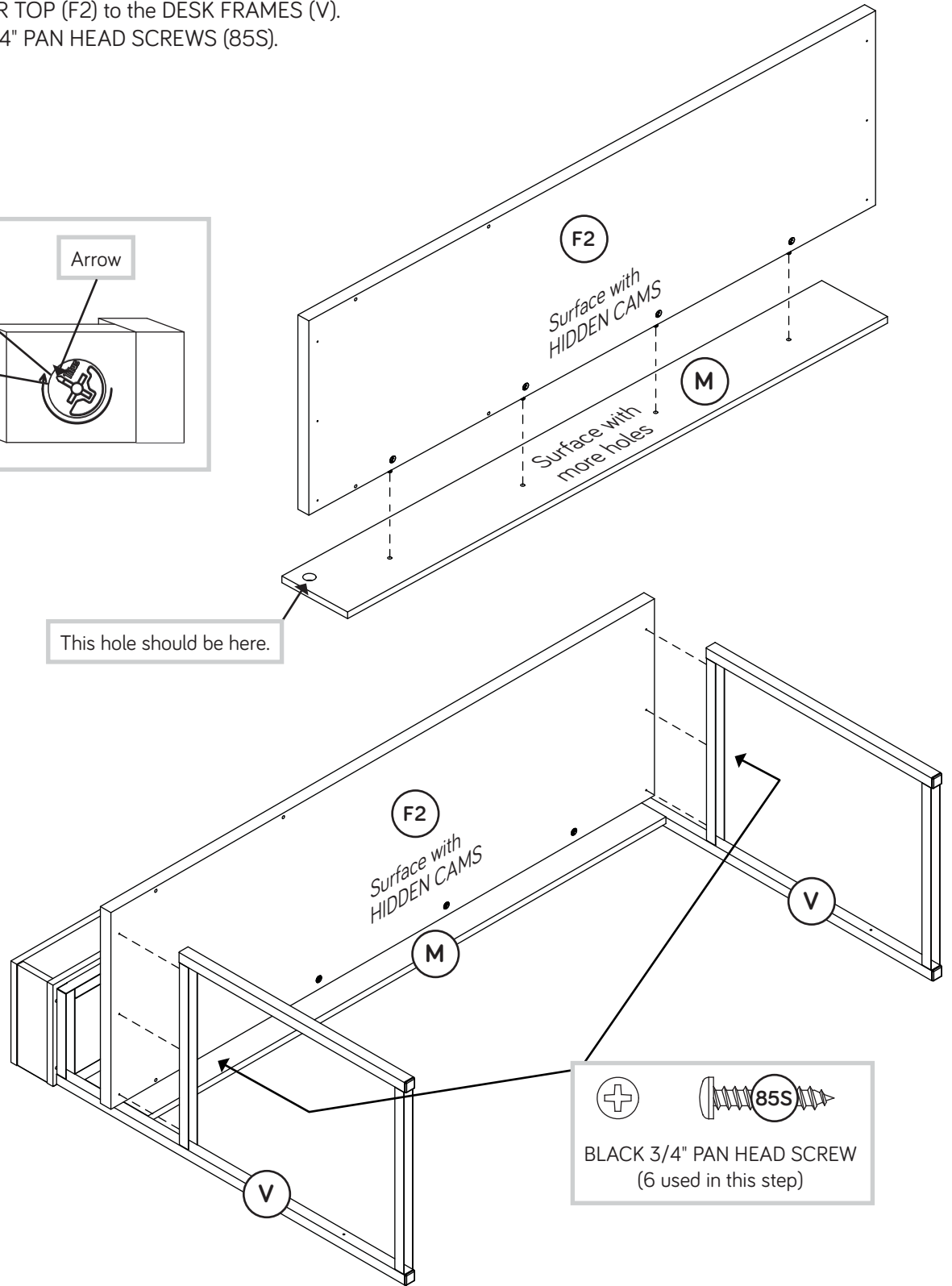
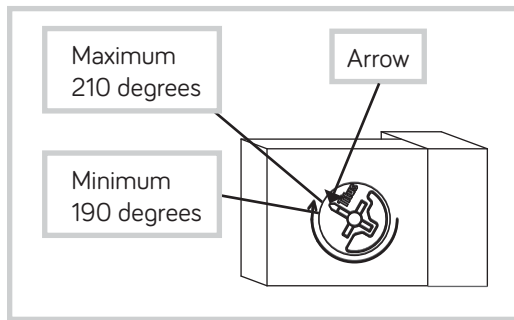
# Step 6

- ✚ Carefully turn your unit over onto its back.
- ✚ Fasten the DESK FRAMES (V) to the HUTCH BOTTOM (I).  
Use four BLACK 9/16" LARGE HEAD SCREWS (1S).
- ✚ **NOTE:** The UPPER MOLDING (X) will have more holes than the LOWER MOLDING (Y). Do not confuse these MOLDINGS.
- ✚ Fasten the UPPER MOLDING (X) to the HUTCH BOTTOM (I).  
Use four BLACK 9/16" LARGE HEAD SCREWS (1S).



# Step 7

- Fasten the LOWER TOP (F2) to the LOWER BACK (M).  
Tighten four HIDDEN CAMS.
- Fasten the LOWER TOP (F2) to the DESK FRAMES (V).  
Use six BLACK 3/4" PAN HEAD SCREWS (85S).

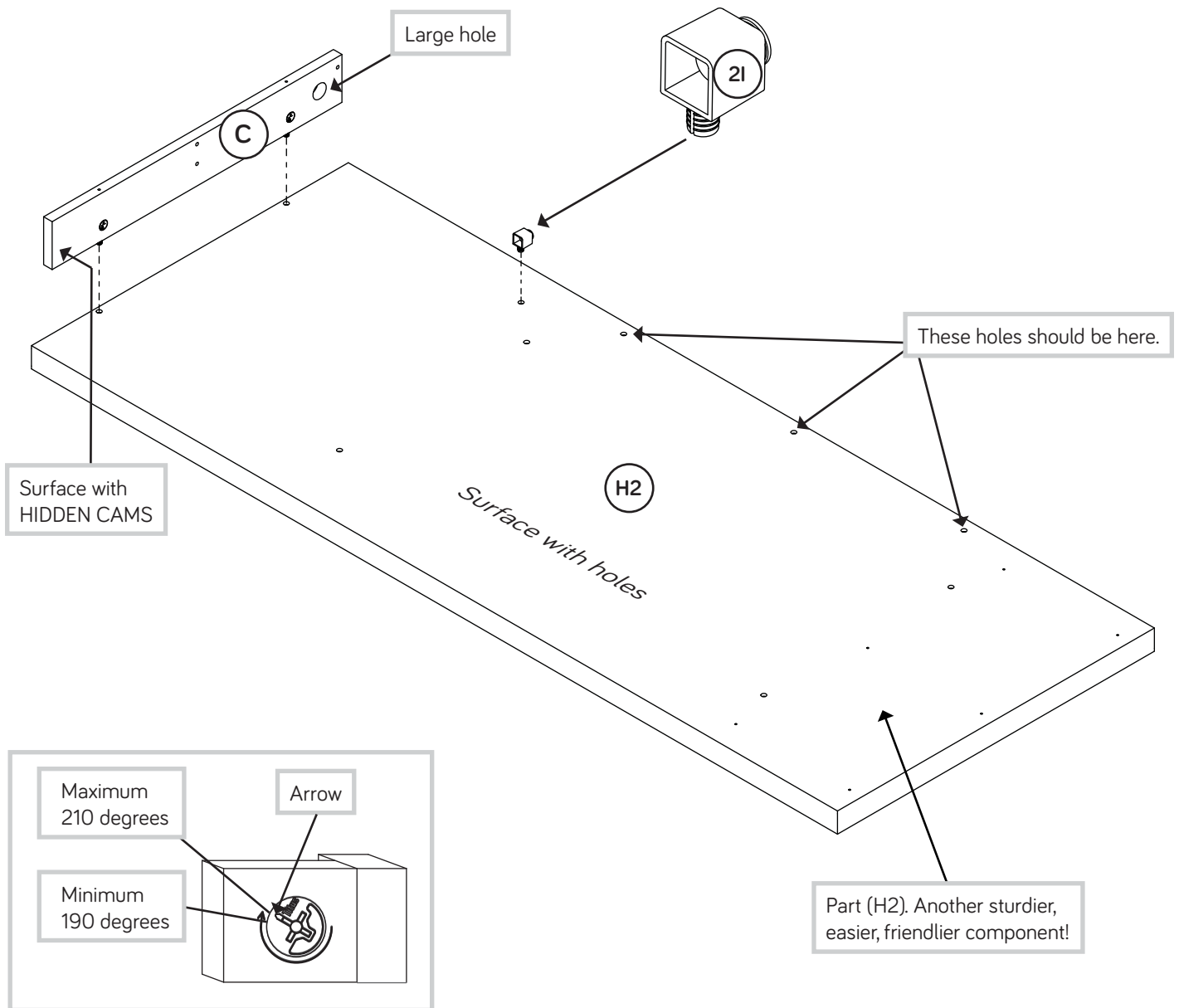


# Step 8

- Fasten the UPRIGHT (C) to the TOP (H2). Tighten two HIDDEN CAMS.
- Push the MAGNETIC CATCH (21) into the hole on the TOP (H2).

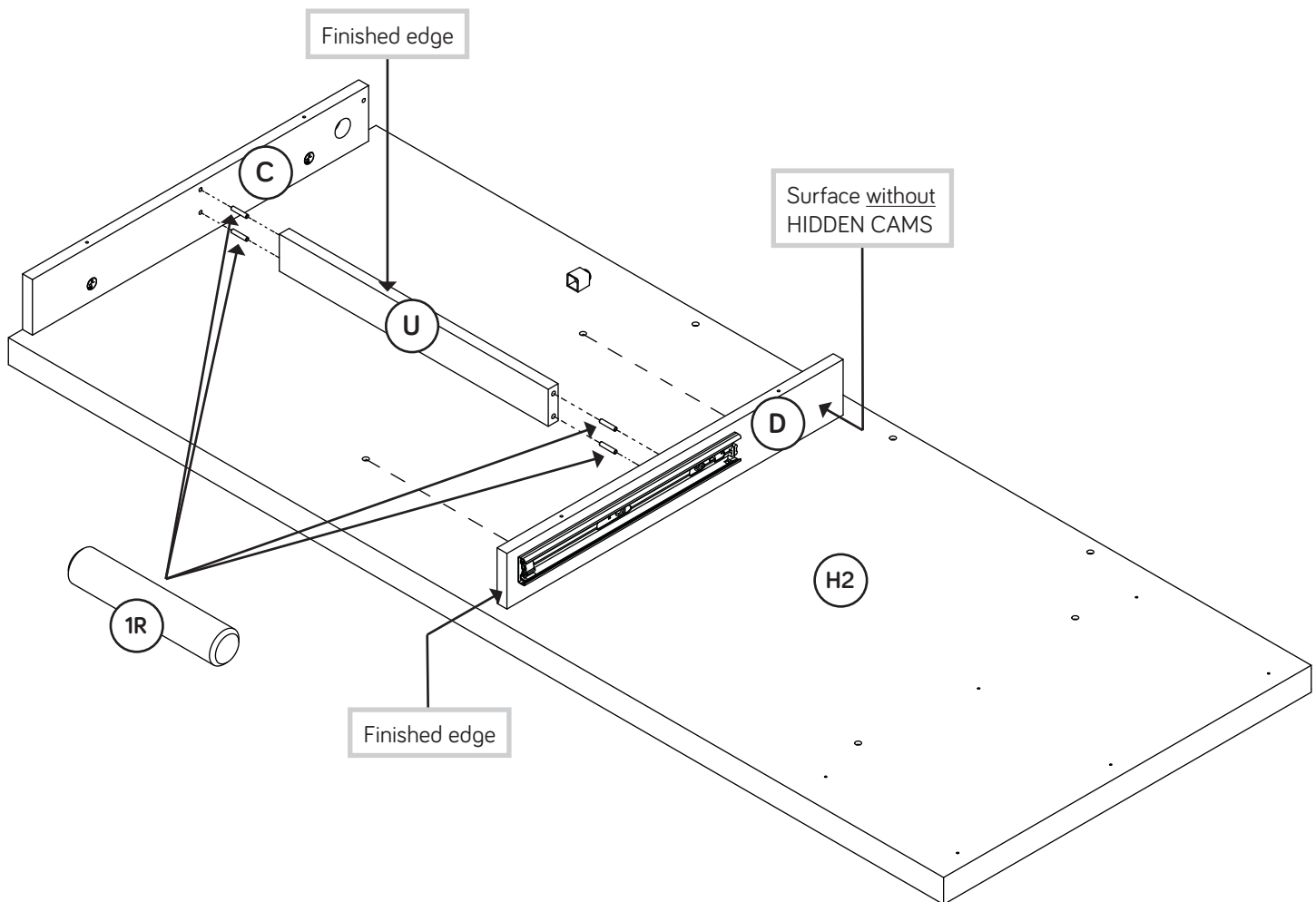
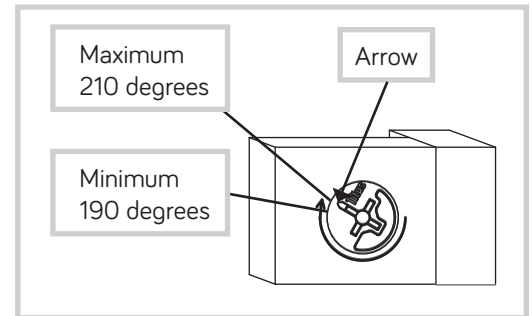


Don't worry. It isn't Rome. This can be built in a day.



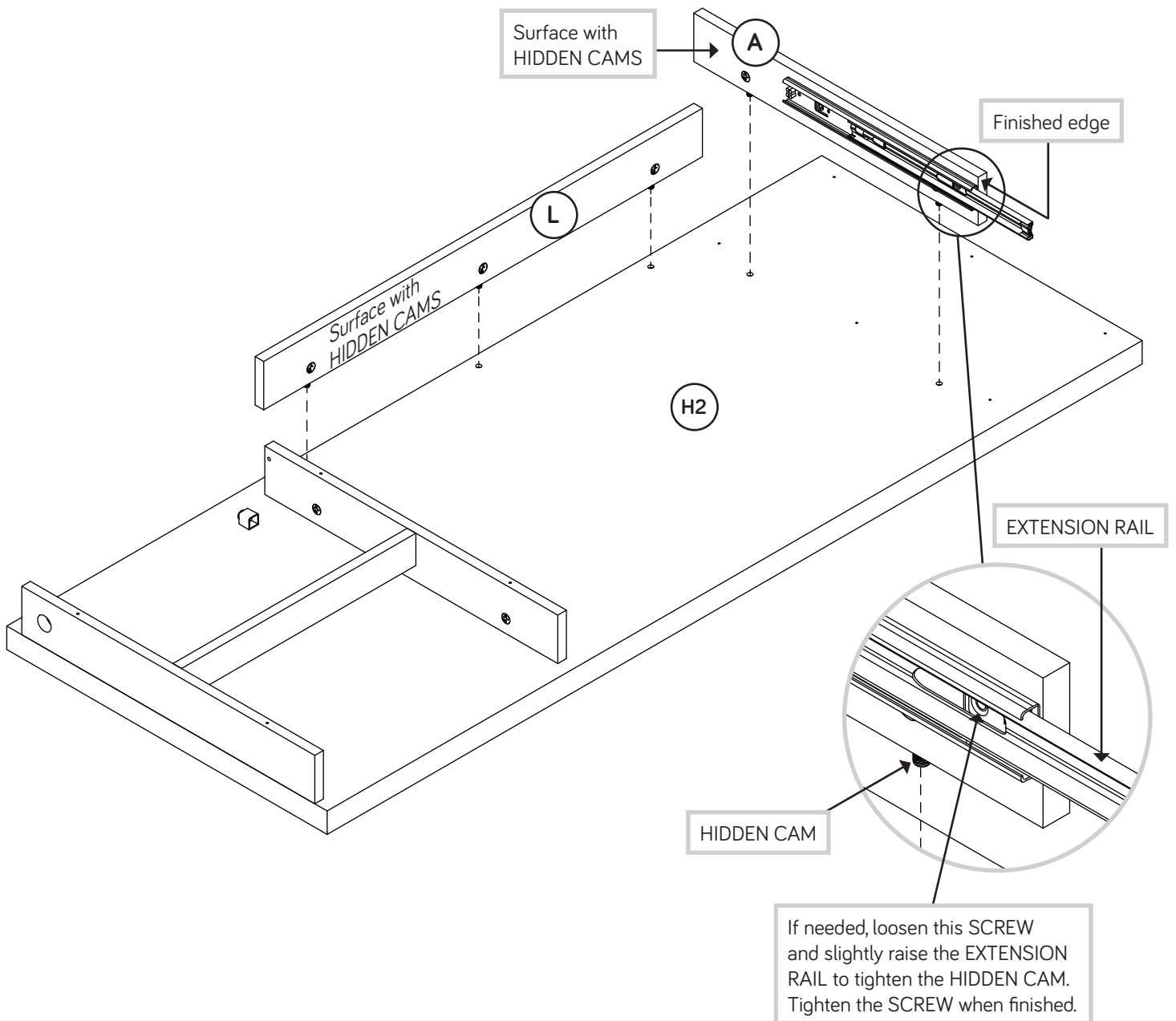
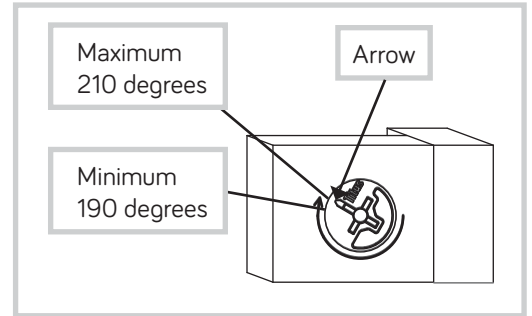
# Step 9

- ✚ Insert four METAL PINS (1R) into the DIVIDER (U).
- ✚ Insert the METAL PINS (1R) in one end of the DIVIDER (U) into the holes in the UPRIGHT (C).
- ✚ Fasten the CENTER UPRIGHT (D) to the TOP (H2). Tighten two HIDDEN CAMS.
- ✚ NOTE: Be sure the METAL PINS in the DIVIDER insert into the holes in the CENTER UPRIGHT.



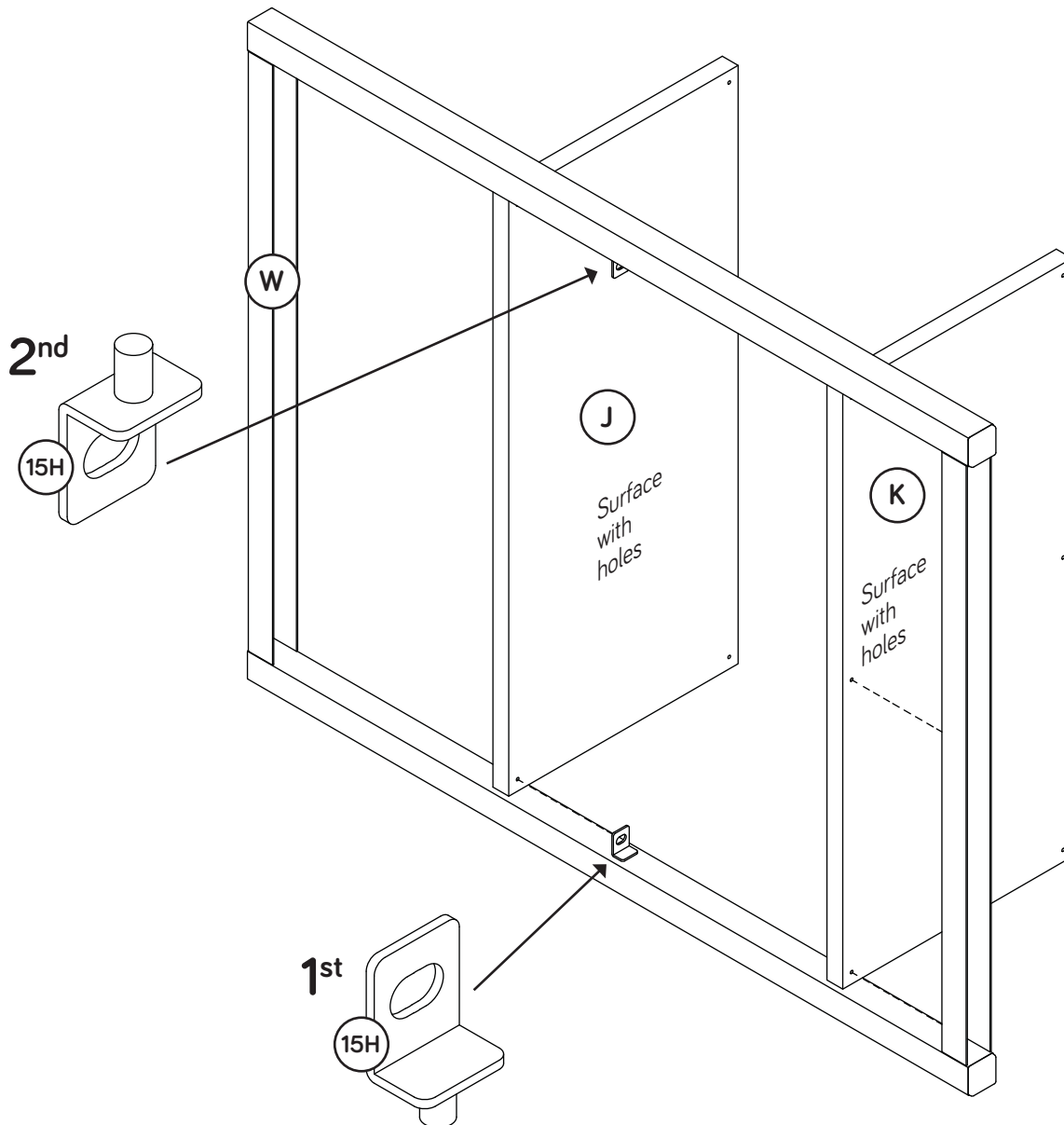
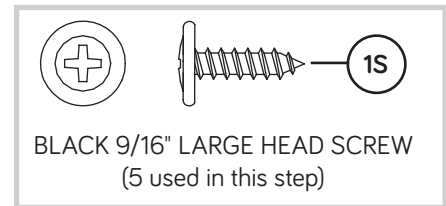
# Step 10

Fasten the LOWER END (A) and DESK BACK (L) to the TOP (H2). Tighten five HIDDEN CAMS.



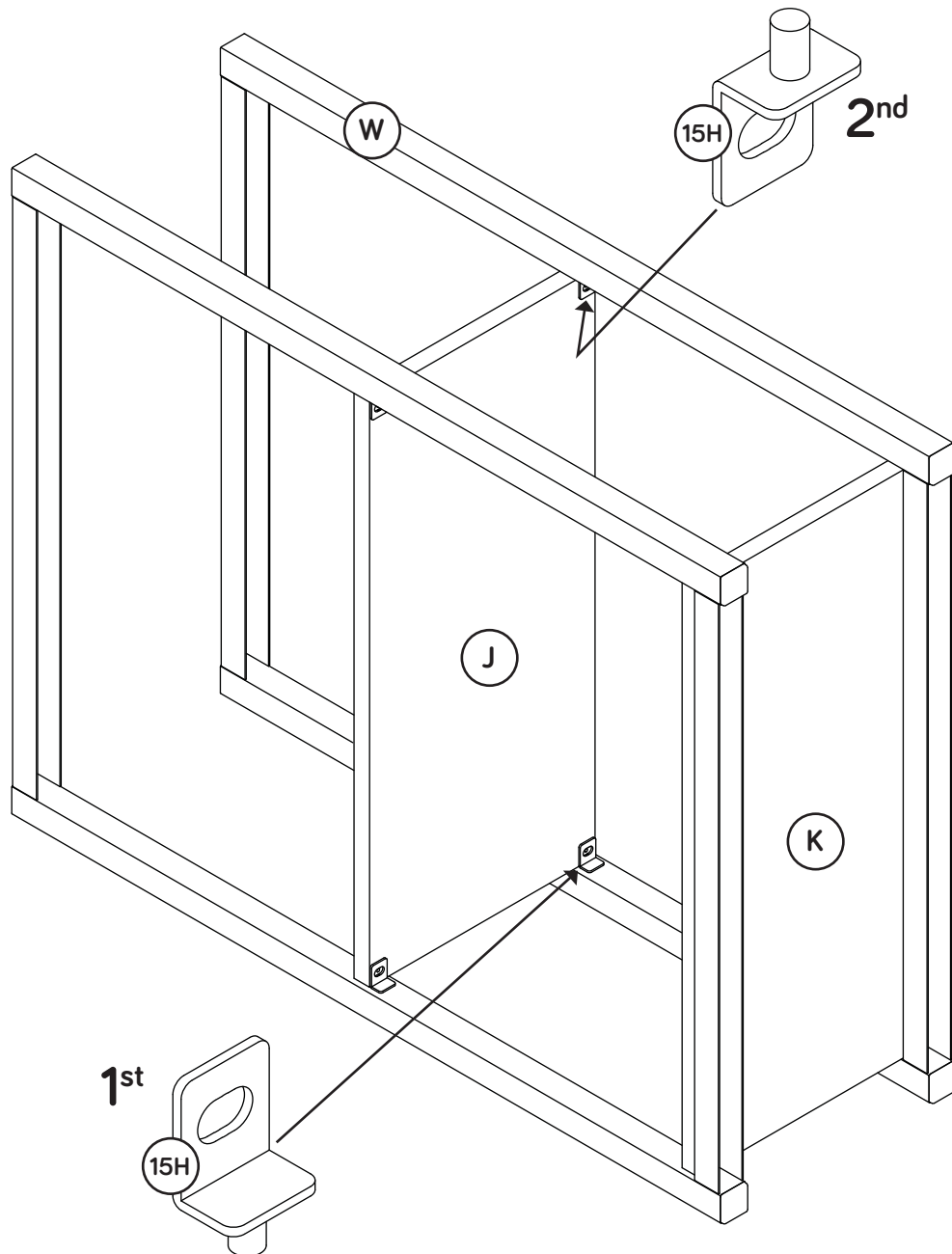
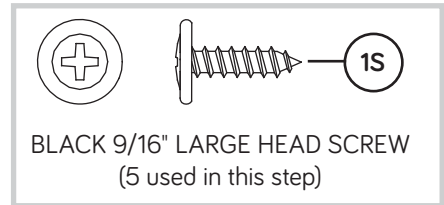
# Step 11

- Fasten the BOTTOM (K) to a RETURN FRAME (W). Use three BLACK 9/16" LARGE HEAD SCREWS (1S).
- 1st - Insert a PIVOT HINGE (15H) into the lower center hole in the RETURN FRAME (W). Fasten the SHELF (J) to the PIVOT HINGE in the RETURN FRAME. Use a BLACK 9/16" LARGE HEAD SCREW (1S).
- 2nd - Then, insert a PIVOT HINGE (15H) into the upper center hole in the RETURN FRAME (W). Fasten the SHELF (J) to the PIVOT HINGE in the RETURN FRAME. Use a BLACK 9/16" LARGE HEAD SCREW (1S).



# Step 12

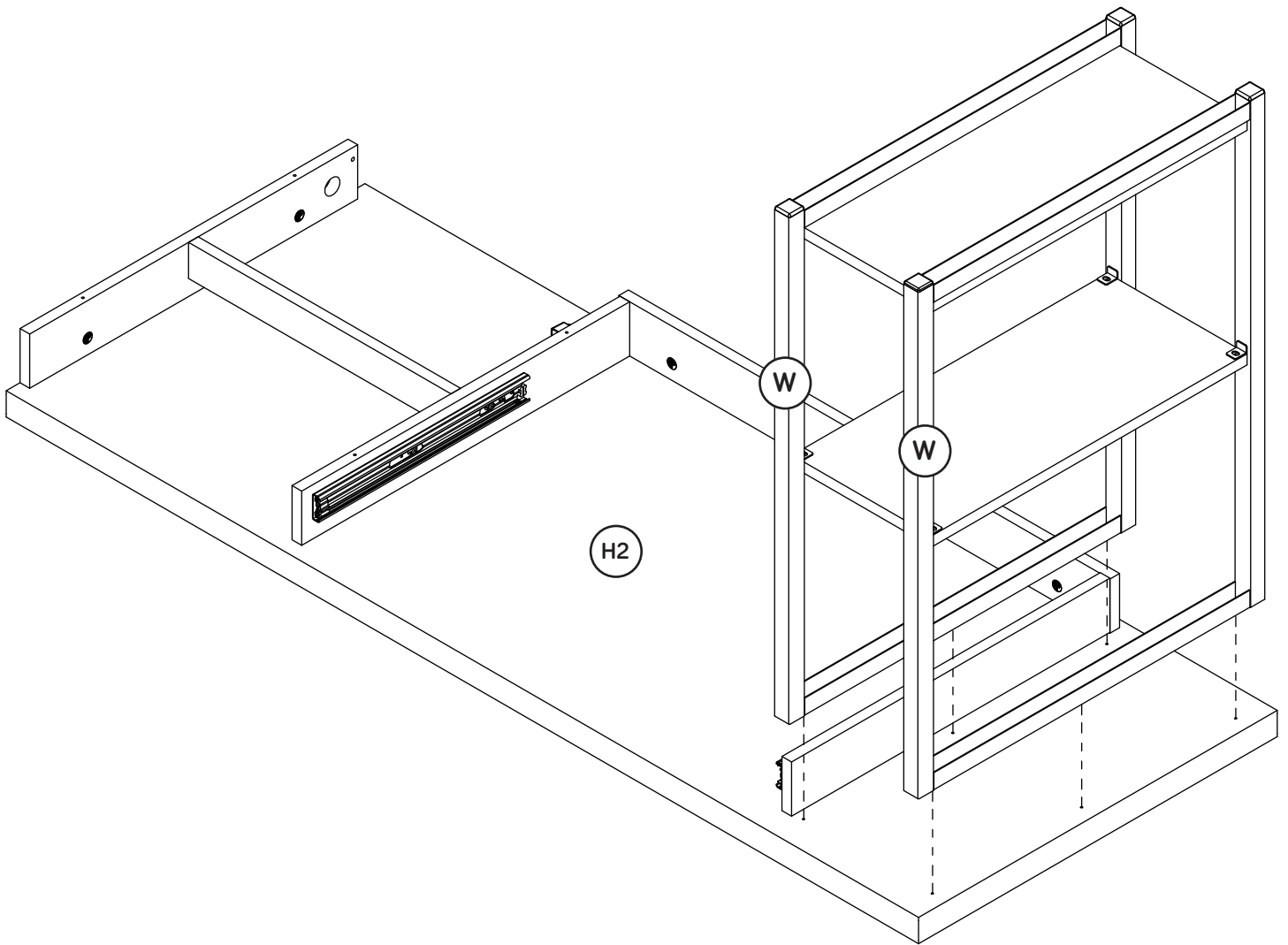
- Fasten the other RETURN FRAME (W) to the BOTTOM (K). Use three BLACK 9/16" LARGE HEAD SCREWS (1S).
- 1st - Insert a PIVOT HINGE (15H) into the lower center hole in the RETURN FRAME (W). Fasten the SHELF (J) to the PIVOT HINGE in the RETURN FRAME. Use a BLACK 9/16" LARGE HEAD SCREW (1S).
- 2nd - Then, insert a PIVOT HINGE (15H) into the upper center hole in the RETURN FRAME (W). Fasten the SHELF (J) to the PIVOT HINGE in the RETURN FRAME. Use a BLACK 9/16" LARGE HEAD SCREW (1S).





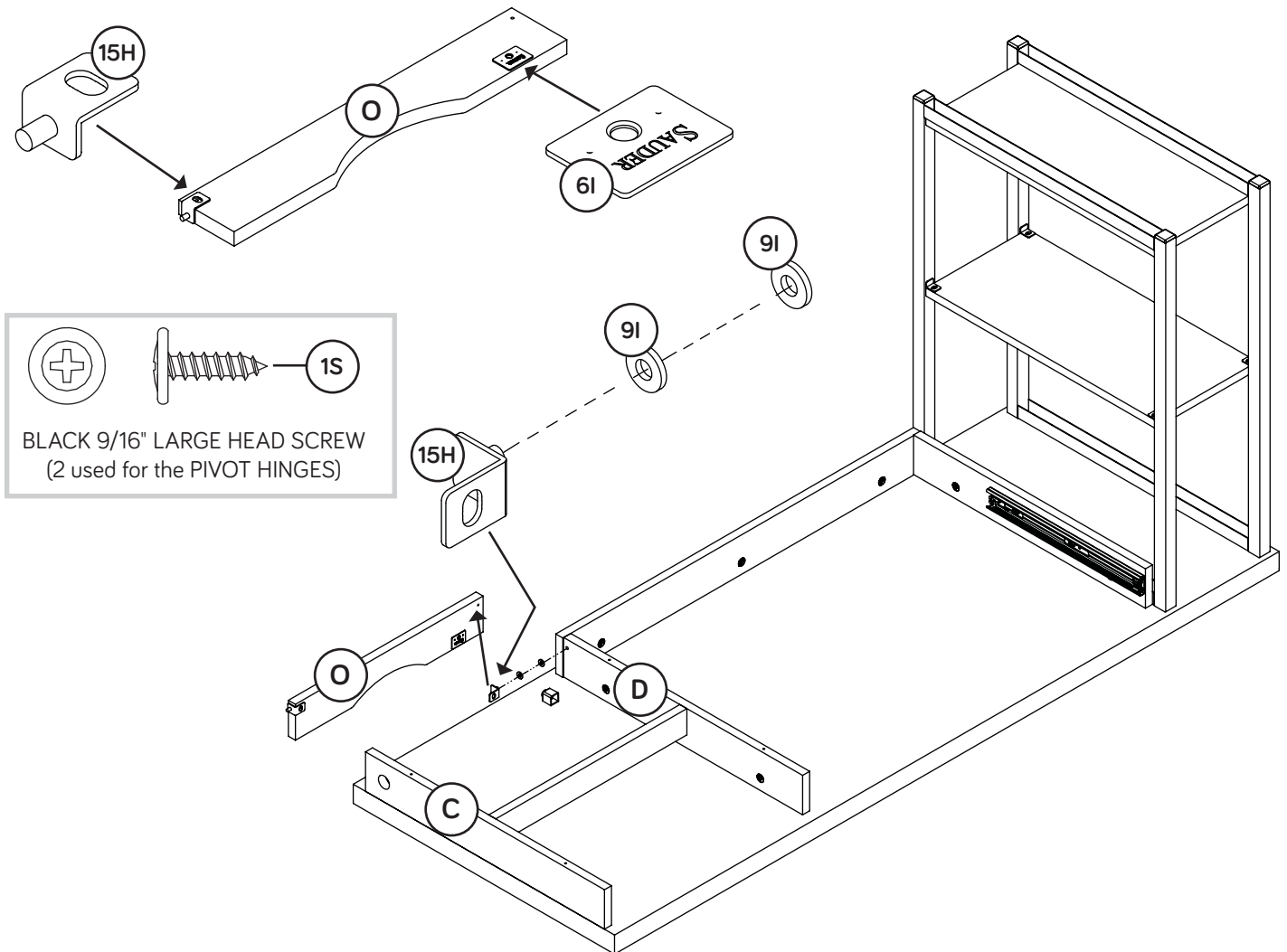
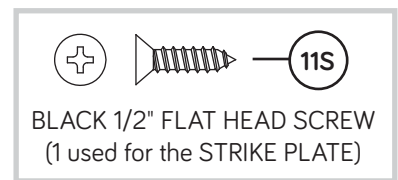
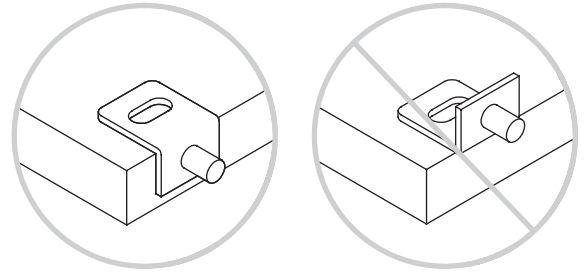
# Step 13

- Fasten the RETURN FRAMES (W) to the TOP (H2). Use six BLACK 3/4" PAN HEAD SCREWS (85S).



# Step 14

- Fasten a PIVOT HINGE (15H) to the FLIP DOWN DOOR (O). Use a BLACK 9/16" LARGE HEAD SCREW (1S).
- Fasten the STRIKE PLATE (6I) to the FLIP DOWN DOOR (O). Use a BLACK 1/2" FLAT HEAD SCREW (11S).
- NOTE:** The surface of the STRIKE PLATE with "SAUDER" should be facing up.
- Insert a PIVOT HINGE (15H) into the WASHERS (9I) and into the CENTER UPRIGHT (D).
- Insert the PIVOT HINGE, which is fastened to the FLIP DOWN DOOR (O), into the hole in the UPRIGHT (C). You will need to tilt your DOOR slightly.
- Now, tip the FLIP DOWN DOOR (O) in and fasten the free HINGE to the DOOR. Use a BLACK 9/16" LARGE HEAD SCREW (1S).

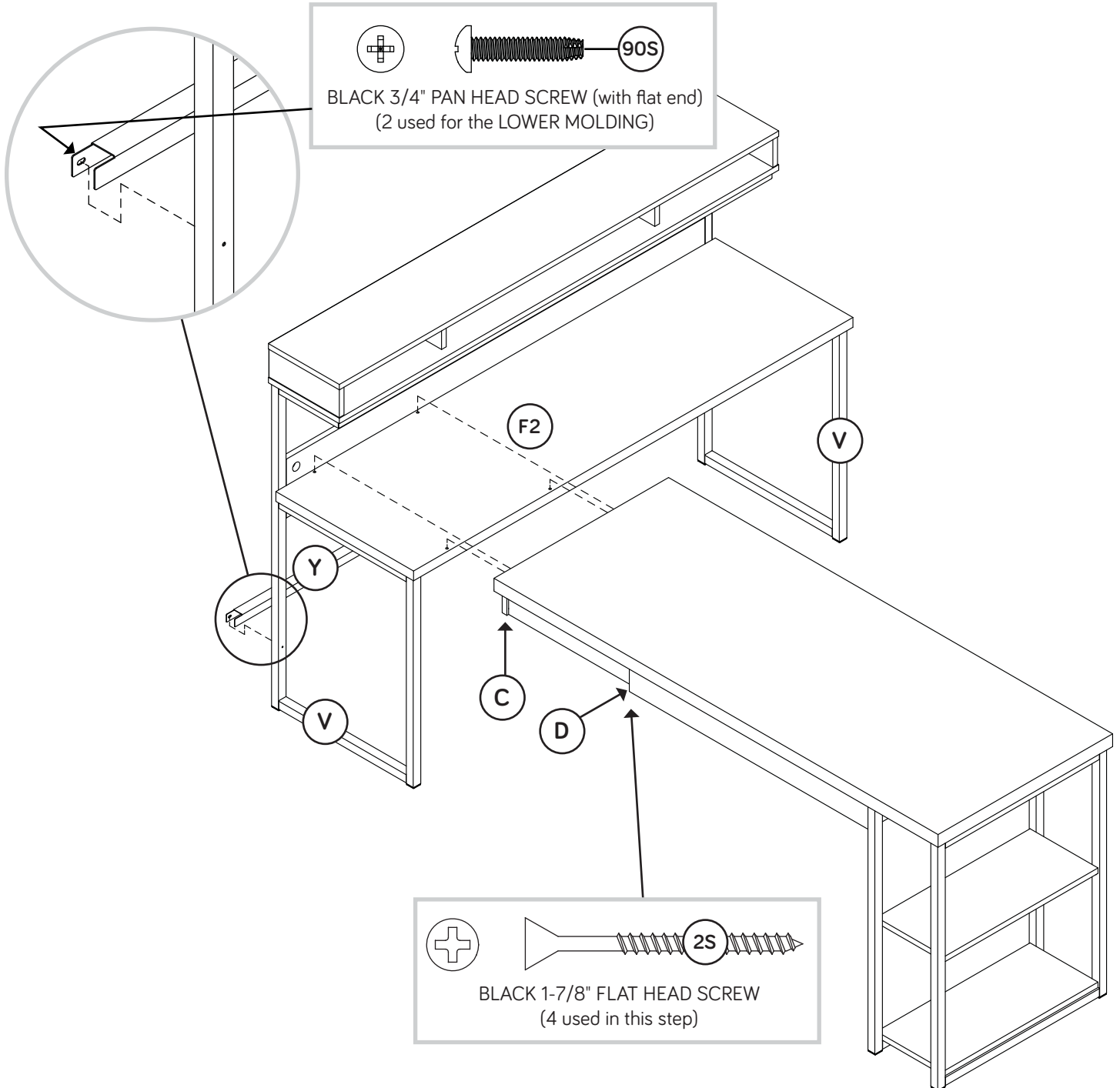


# Step 15

- ⚡ Carefully stand your unit upright.
- ⚡ Fasten the UPRIGHTS (C and D) to the LOWER TOP (F2). Use four BLACK 1-7/8" FLAT HEAD SCREWS (2S).
- ⚡ Fasten the LOWER MOLDING (Y) to the DESK FRAMES (V). Use two BLACK 3/4" PAN HEAD SCREWS (with flat end) (90S).

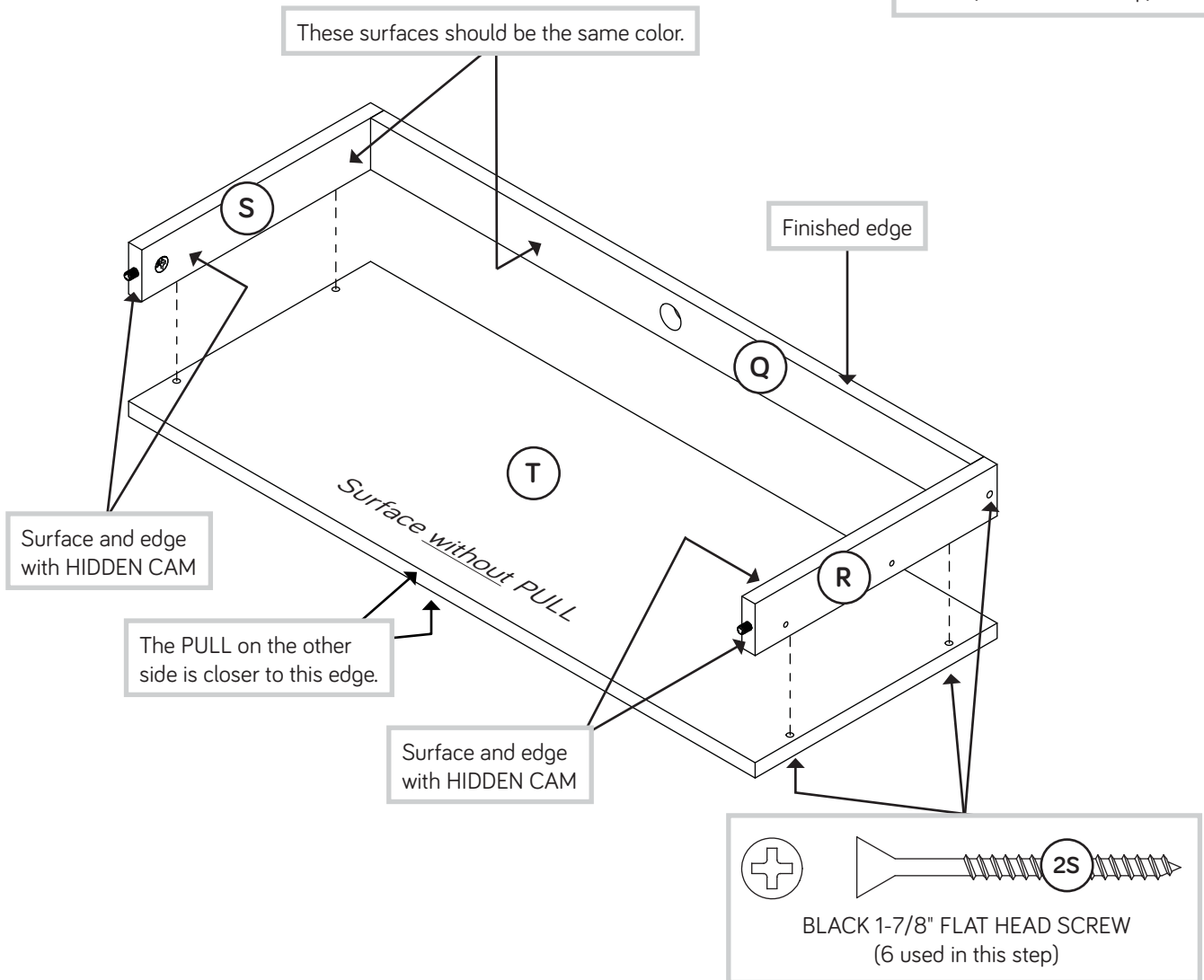
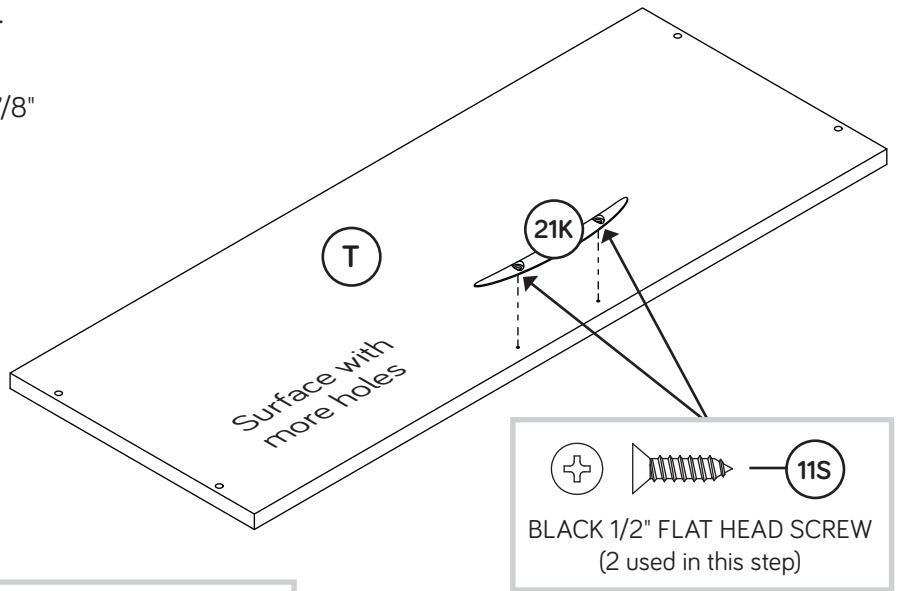


Pro Tip: Lift with your legs. And, you know, your arms.



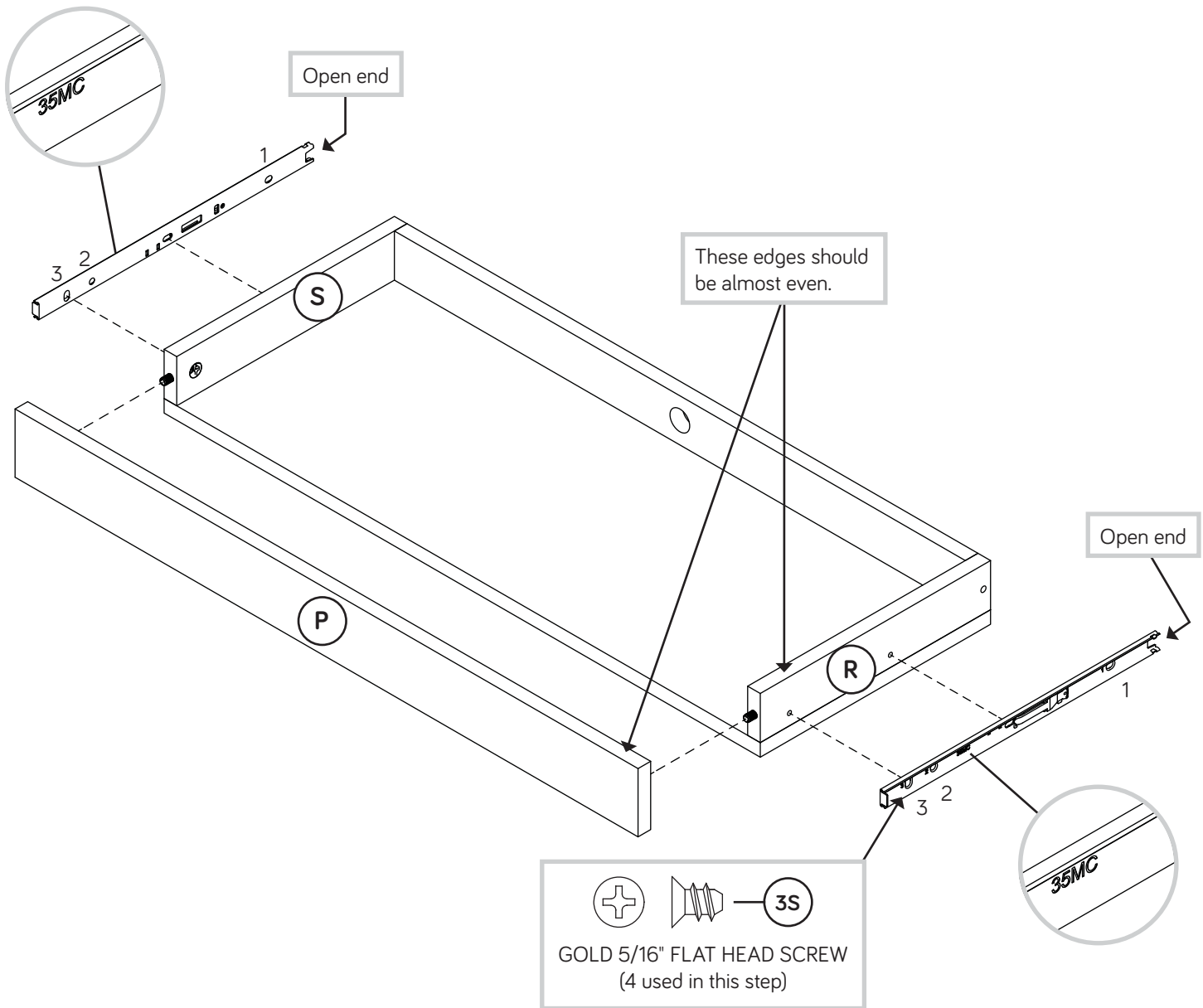
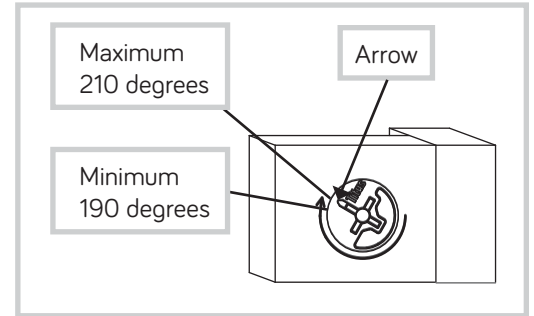
# Step 16

- Fasten the PULL (21K) to the DRAWER BOTTOM (T). Use two BLACK 1/2" FLAT HEAD SCREWS (11S).
- Fasten the DRAWER SIDES (R and S) to the DRAWER BOTTOM (T). Use four BLACK 1-7/8" FLAT HEAD SCREWS (2S).
- Fasten the DRAWER BACK (Q) to the DRAWER SIDES (R and S). Use two BLACK 1-7/8" FLAT HEAD SCREWS (2S).



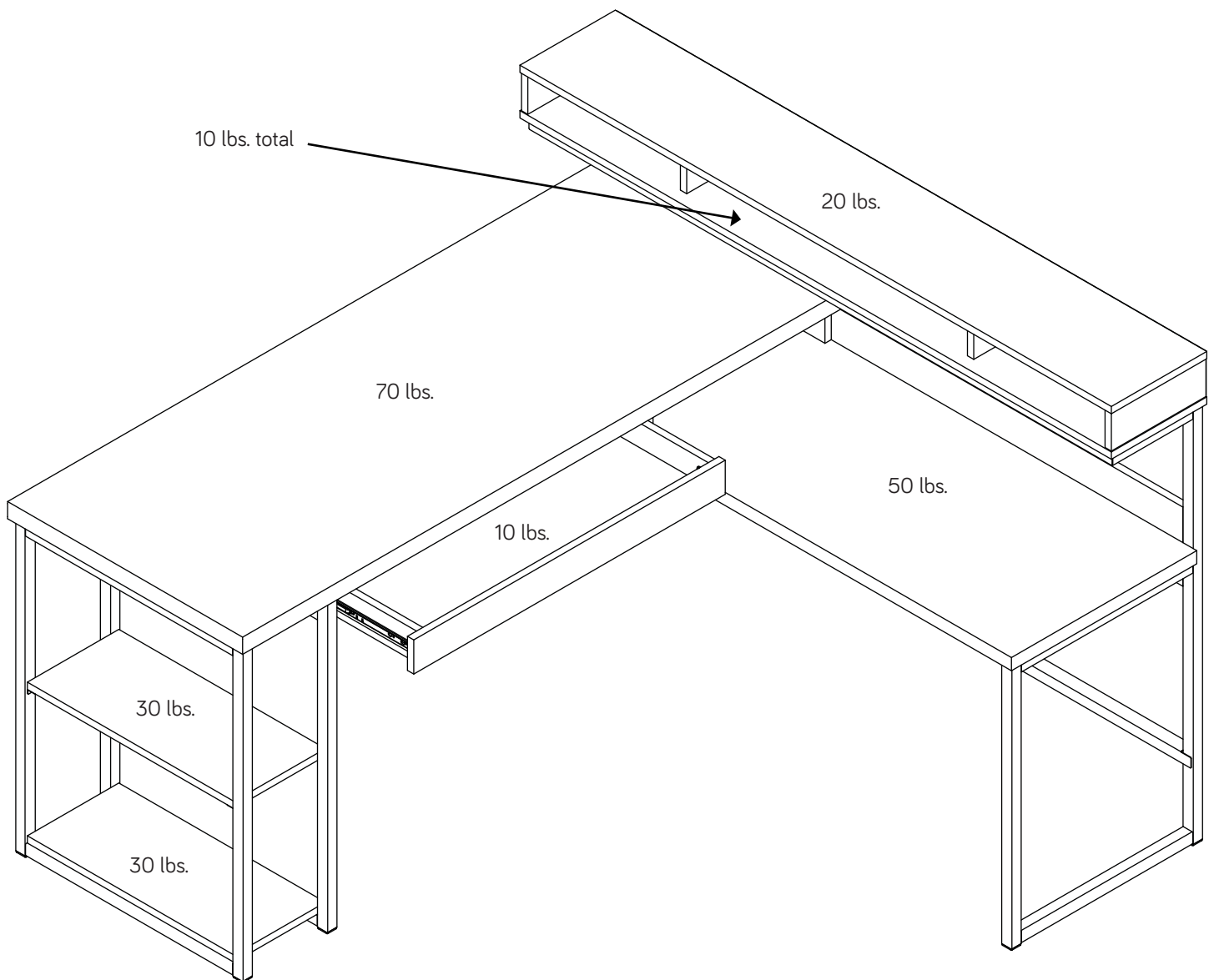
# Step 17

- Fasten the DRAWER FRONT (P) to the DRAWER SIDES (R and S). Tighten two HIDDEN CAMS.
- Fasten the EXTENSION SLIDES (35MC) to the DRAWER SIDES (R and S). Use four GOLD 5/16" FLAT HEAD SCREWS (3S) through the center slotted holes and #3.



# Step 18

- ✚ To insert the drawer into your unit, line up the EXTENSION SLIDES on the drawer with the EXTENSION RAILS on the unit and push the drawer into the unit until the drawer is fully inserted. The drawer will push in hard until it is all the way in, then it will slide in and out easier.
- ✚ NOTE: Please read the back pages of the instruction booklet for important safety information.
- ✚ This completes assembly. Clean with your favorite furniture polish or a damp cloth. Wipe dry.



**⚠ WARNING**

Please use your furniture correctly and safely. Improper use can cause safety hazards, or damage to your furniture or household items. ***Carefully read the following chart.***

Look out for:	What can happen:	How to avoid the problem:
<ul style="list-style-type: none"><li>• Overloaded shelves and drawers.</li><li>• Improper loading can cause the product to be top-heavy.</li></ul>	<ul style="list-style-type: none"><li>• Risk of injury.</li><li>• Top-heavy furniture can tip over.</li><li>• Overloaded shelves and drawers can break.</li></ul>	<ul style="list-style-type: none"><li>• Never exceed the weight limits shown in the instructions.</li><li>• Work from bottom to top when loading shelves and drawers. Place the heavier items on the lower shelves or in lower drawers.</li></ul>
<ul style="list-style-type: none"><li>• Improperly moving furniture that is not designed and equipped with casters.</li></ul>	<ul style="list-style-type: none"><li>• Furniture can tip over or break if improperly moved.</li><li>• Physical injury. Furniture can be very heavy.</li><li>• Breakage of tops - particularly with double pedestal furniture (drawers at both ends).</li></ul>	<ul style="list-style-type: none"><li>• Unload shelves and drawers from top to bottom before moving the unit.</li><li>• Do not push furniture, especially on a carpeted floor. Have a friend help you lift the item and set it in place.</li><li>• Provide support to the center section of the top when lifting the furniture.</li></ul>
<ul style="list-style-type: none"><li>• Placing TVs on furniture items that are not designed to support a television is hazardous.</li></ul>	<ul style="list-style-type: none"><li>• Risk of injury or death. TVs can be very heavy. Plus the weight and location of the picture tube tends to make TVs unbalanced and prone to tipping forward.</li></ul>	<ul style="list-style-type: none"><li>• This product is not designed to support a television.</li></ul>