

Montreal Swivel Recliner

DESCRIPTION

Recliner With Footstool





This product is designed to seat people up to a maximum of 115kgs (18 stone)

Check and re-tighten parts/nuts & bolts every three months

For any assistance with assembly, please contact **01234 328804** or email customerservice@teknikoffice.co.uk

IMPORTANT: Please read this manual carefully before beginning assembly of this product. Keep this manual for future reference.

SAFETY INFORMATION

Identify all the parts and hardware.

Do not discard of the packaging until you have checked that you have all of the parts and hardware required. Hardware package may have spare parts.

WARNING: This item contains small parts which can be swallowed by children and pets. Keep children and pets away during assembly. To avoid danger of suffocation, always keep plastic bags away from children and pets.

We recommend that you assemble this unit on a carpeted floor to avoid scratches. We do not recommend the use of power tools for assembly as this could damage the unit. Only use manual tools.

Requires 2 people for ease of assembly.

CARE and MAINTENANCE

Wipe regularly with clean water and a damp, clean, soft white cloth

General cleaning can be done as needed with a mild detergent and water solution. Always rinse with clean water and dry.

For heavy soiling, dampen a soft white cloth or soft bristle brush. Use care as scrubbing can damage the surface.

More difficult stains can be treated, but this should be occasional, not daily, cleaning.

ANY cleaning solution used must be removed with clean water and a clean white cloth. Cleaning residue left on the material can cause it to dry out and crack, or affect the color.

DO NOT use any cleaners with corrosive ingredients (lye, acids or ammonia).

PRE-ASSEMBLY INFORMATION

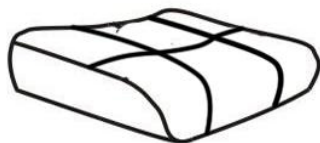
PARTS DESCRIPTION

A



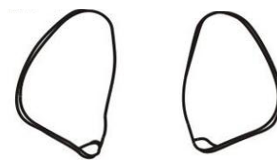
Back Cushion
Qty 1

B



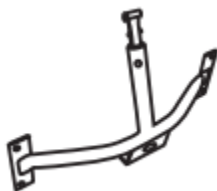
Seat Cushion
Qty 1

C



Left Armrest &
Right Armrest
Qty 1

D



U-Frame
Qty 1

E



Footstool Pad
Qty 1

F



Chair Leg
Qty 5

PRE-ASSEMBLY INFORMATION

PARTS DESCRIPTION

G



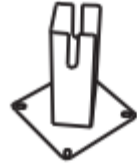
Footstool
Leg
Qty 4

H



Chair Spindle
Qty 1

I



Footstool Spindle
Qty 1

J

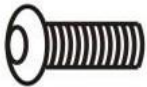


Adjustable Handle
Qty 1

PRE-ASSEMBLY INFORMATION

HARDWARE DESCRIPTION

K



Screw
Qty 12

L



Screw
Qty 18

M



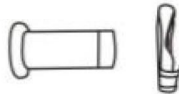
Screw
Qty 2

N



Washer
Qty 18

O



Connection and
locking clip
Qty 2



P



Screw with
Locking Nut
Qty 1

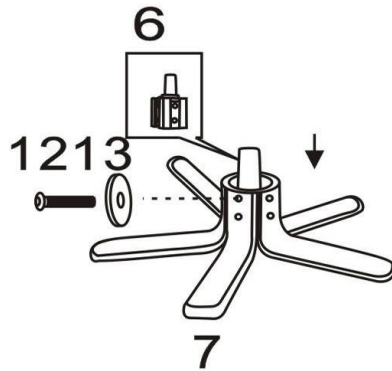
PRE-ASSEMBLY INFORMATION

HARDWARE DESCRIPTION

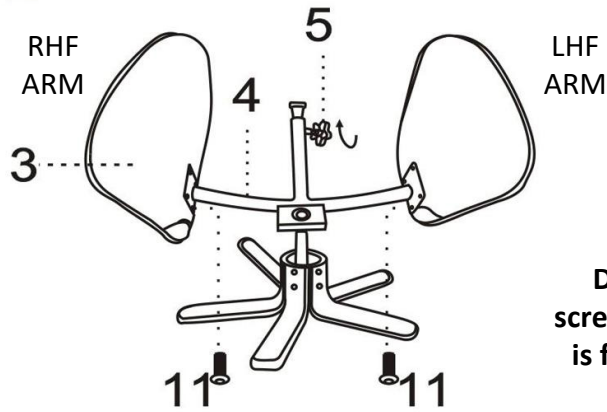
Q	R	
 <p>Allen Wrench Qty 1</p>	 <p>Allen Key Qty 1</p>	

ASSEMBLY

STEP 1

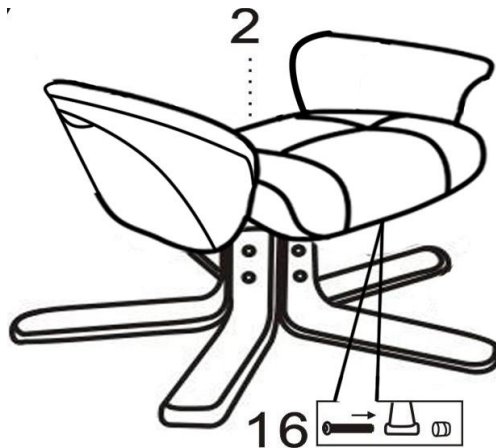


STEP 2



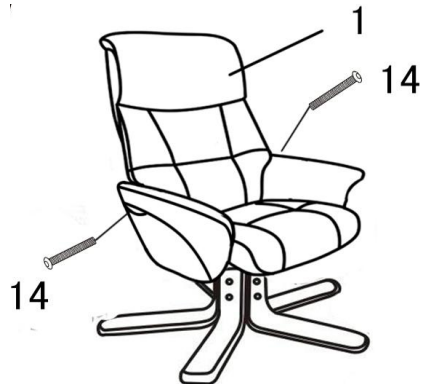
Do not tighten screws until product is fully assembled

STEP 3

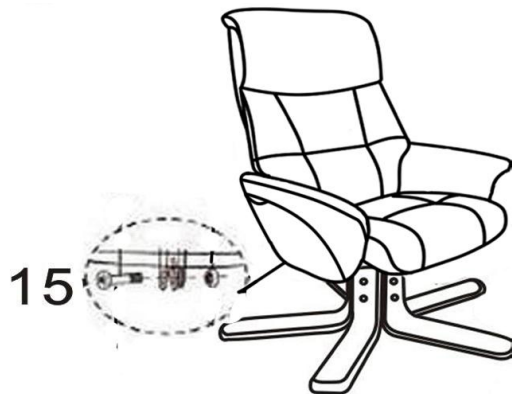


ASSEMBLY

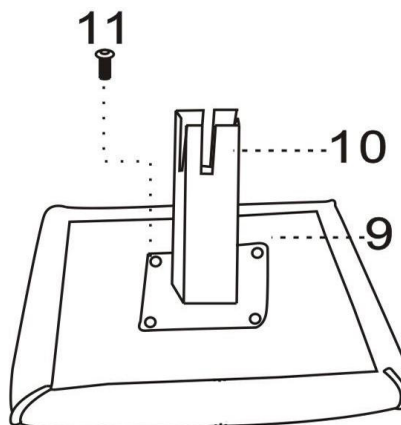
STEP 4



STEP 5

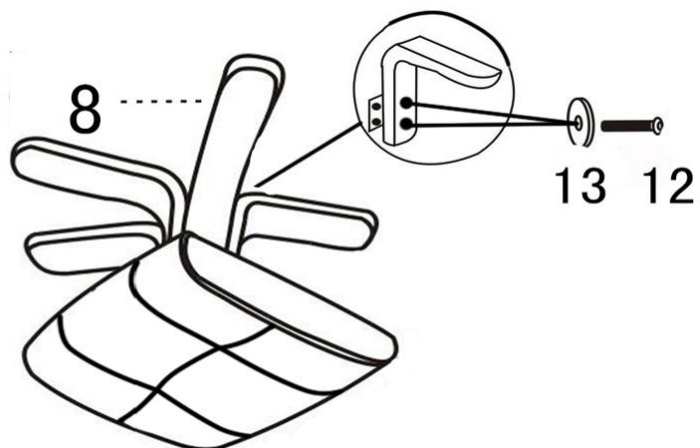


STEP 6



ASSEMBLY

STEP 7



STEP 8

