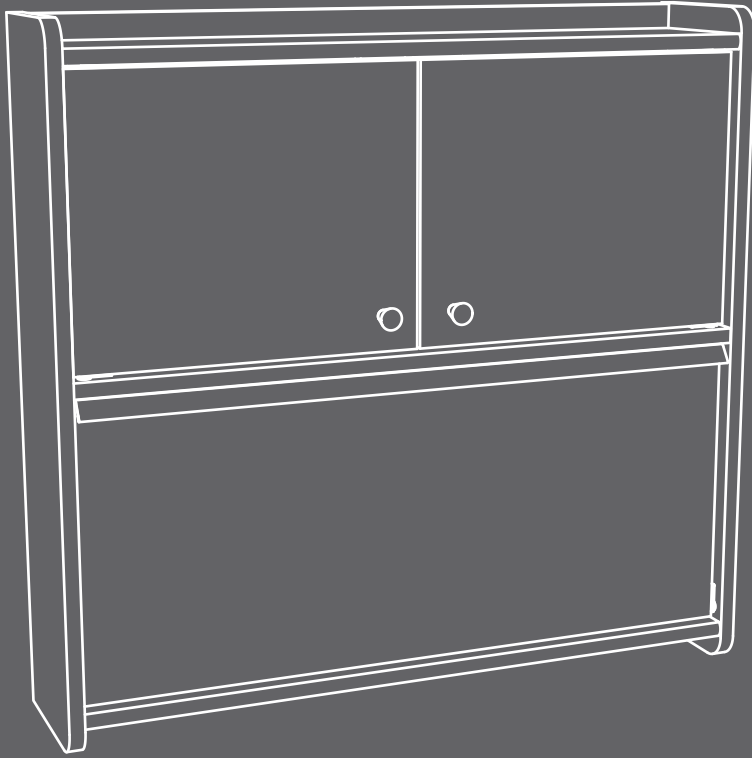


www.teknikoffice.co.uk

Teknik



For things 'n such.

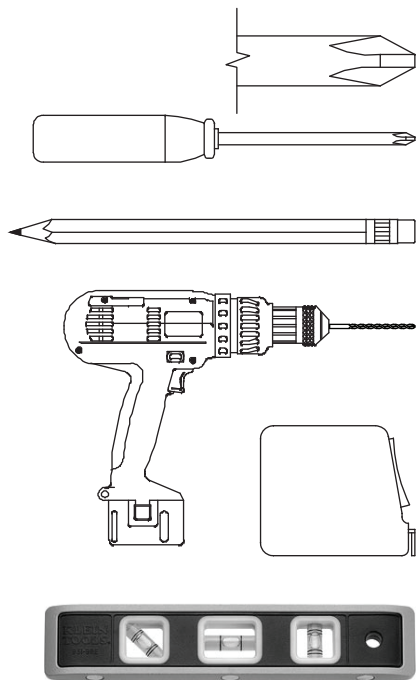
Hampstead Park Wall Desk

Model 5423704

Table of Contents

Assembly Tools Required

Hardware Identification	2
Part Identification	3
Assembly Steps	4-7
Français	8
Español	9
Safety	10
Warranty	11



No. 2 Phillips Screwdriver
Tip Shown Actual Size

Pencil

Electric drill with 1/8"
and 1/4" bits
(ONLY in indicated step)

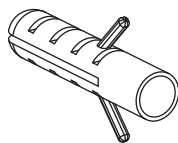
Tape Measure

Level

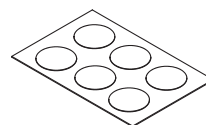
Hardware Identification

† Screws are shown actual size. You may receive extra hardware with your unit.

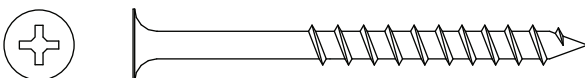
2 DRYWALL ANCHOR - 2



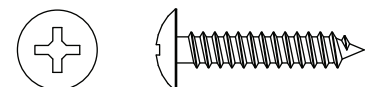
3 APPLIQUE CARD - 2



4 BLACK 2-3/8" FLAT HEAD SCREW - 2



5 BLACK 1" LARGE HEAD SCREW - 2



Part Identification

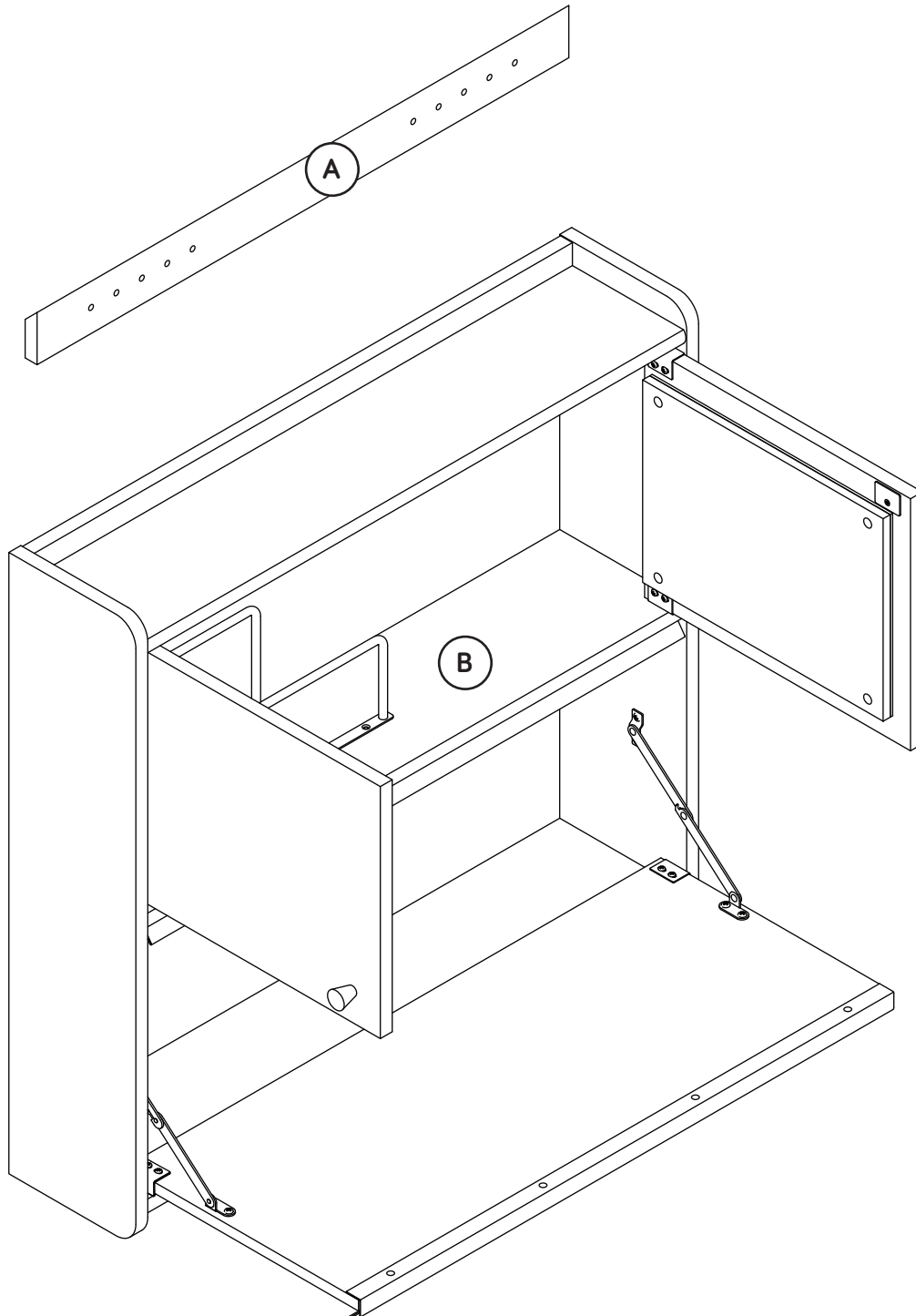
Now you know
our ABCs.



↑ While not all parts are labeled, some of the parts will have a label or an inked letter on the edge to help distinguish similar parts from each other. Use this part identification to help identify similar parts.

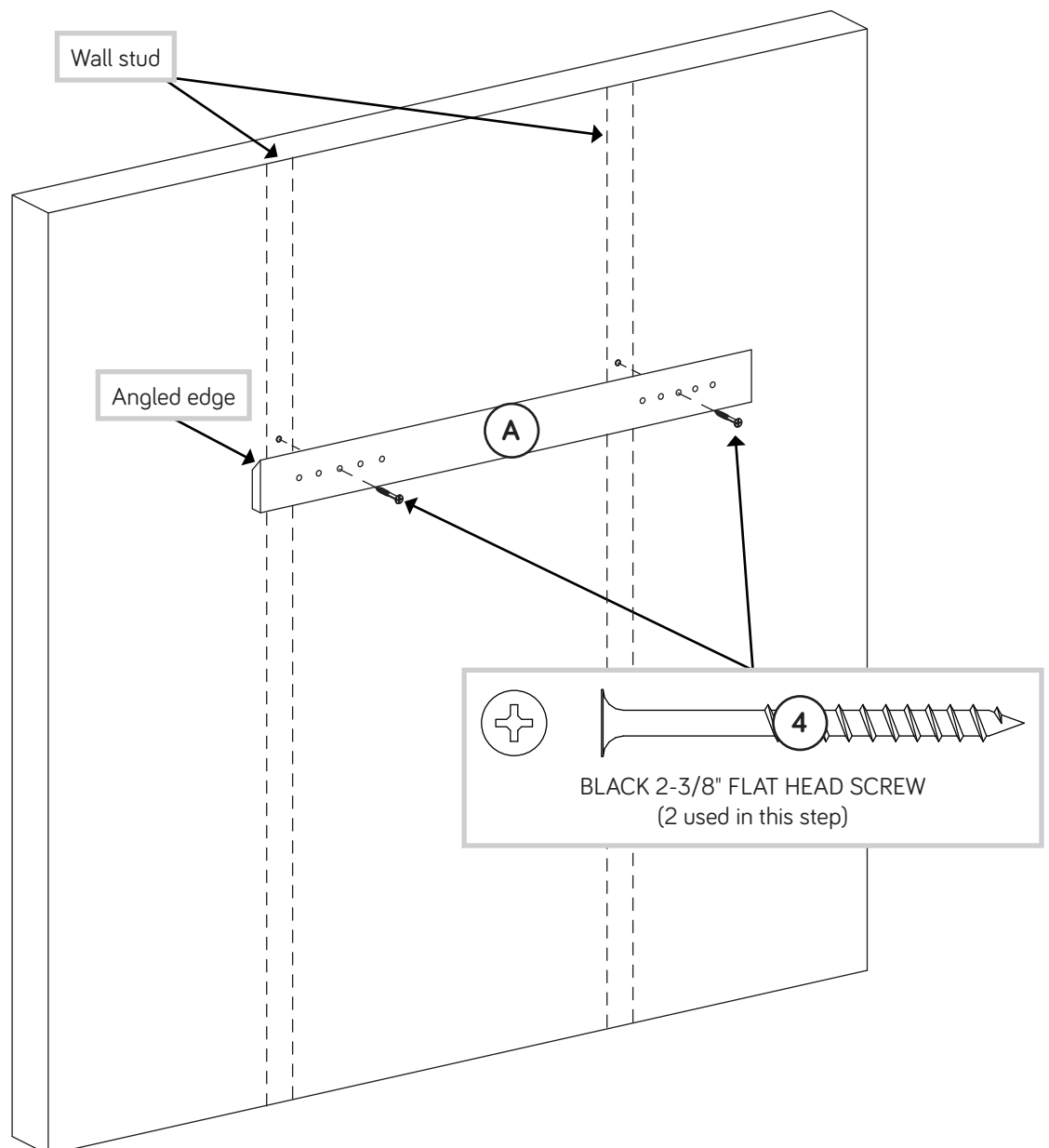
A | WALL SUPPORT (1)

B | WALL UNIT (1)



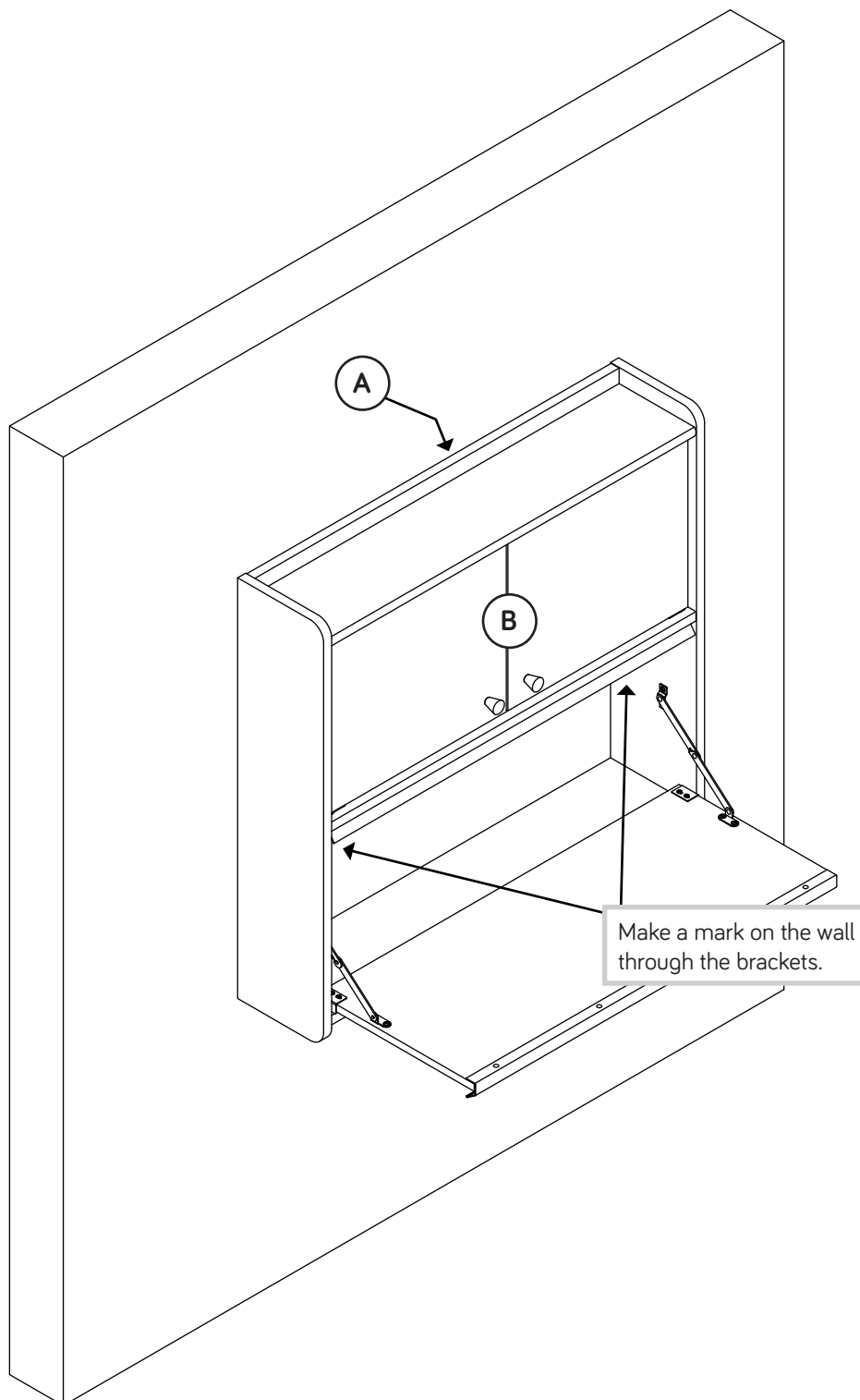
Step 1

- ✚ Your Wall Desk is intended to be fastened to wall studs using the included hardware.
- ✚ If you need to drywall hang this unit, purchase a drywall anchor which is rated to support a MINIMUM of 80 lbs. Follow the instructions provided with the anchoring hardware.
- ✚ Assemble your unit on a carpeted floor or on the empty carton to avoid scratching your unit or the floor.
- ✚ Determine the desired height of the Wall Desk on your wall and subtract 5-5/8". Mark this location on your wall. This will be the bottom edge of the WALL SUPPORT (A).
- ✚ Locate and mark the wall stud locations on your wall.
- ✚ **NOTE: BE SURE THE TWO MARKS ON THE STUDS ARE LEVEL BEFORE DRILLING.**
- ✚ Drill a 1/8" hole in your wall at each wall stud location.
- ✚ Fasten the WALL SUPPORT (A) to your wall using two BLACK 2-3/8" FLAT HEAD SCREWS (4) into the exact holes shown.



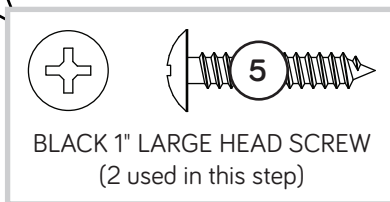
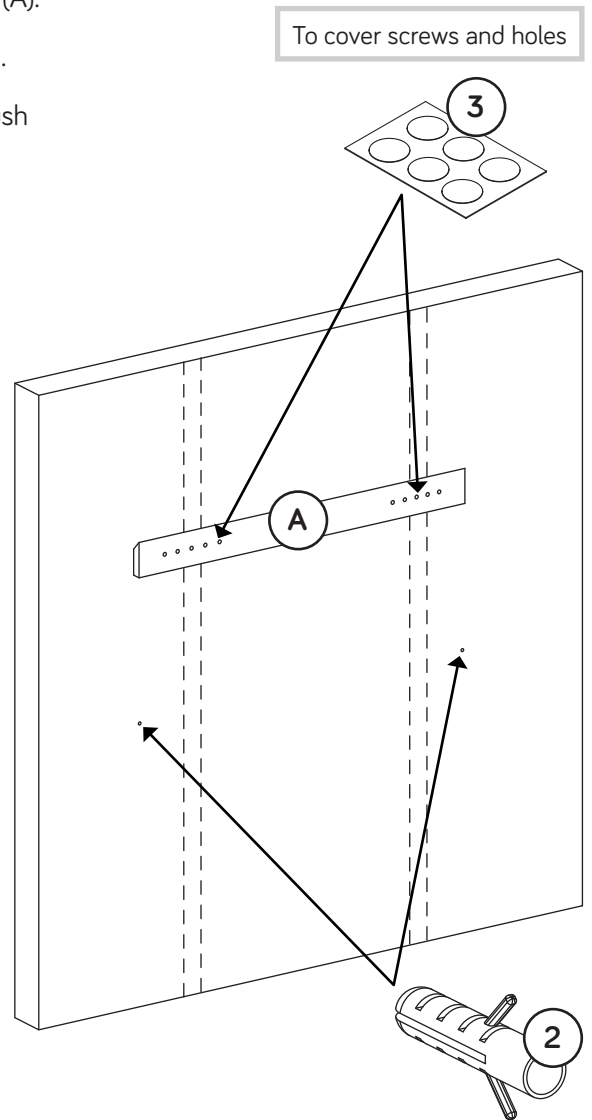
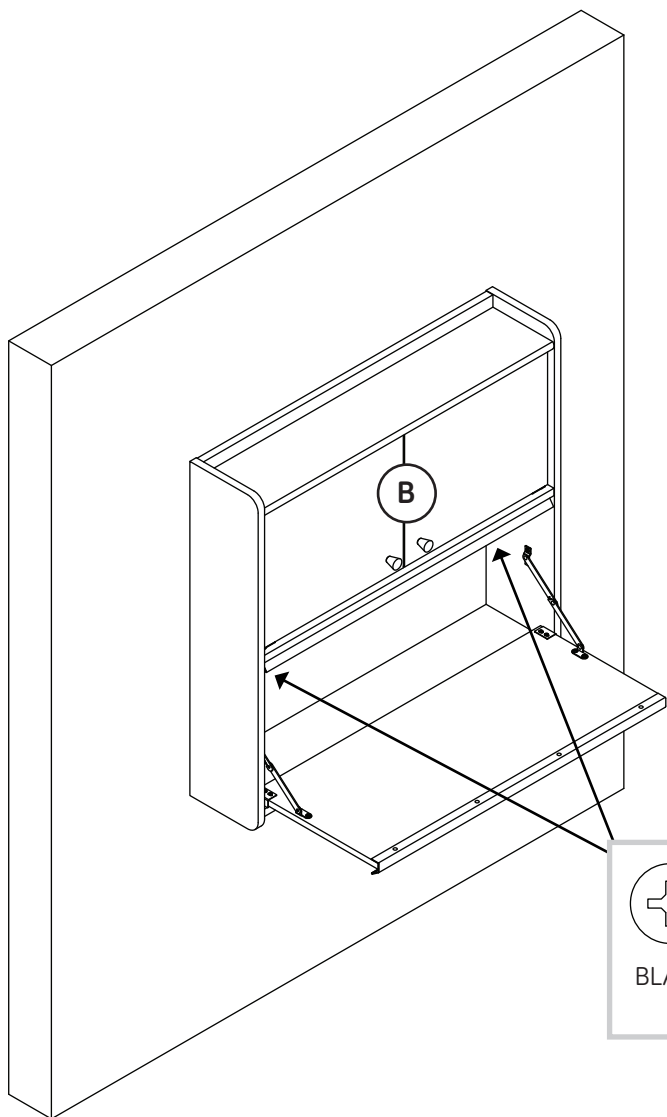
Step 2

- 📌 There are two brackets already fastened to your unit. These brackets will help secure the WALL UNIT (B) firmly against the wall.
- 📌 Temporarily hang your unit on the WALL SUPPORT (A).
- 📌 Make a mark on the wall through the brackets with your pencil.



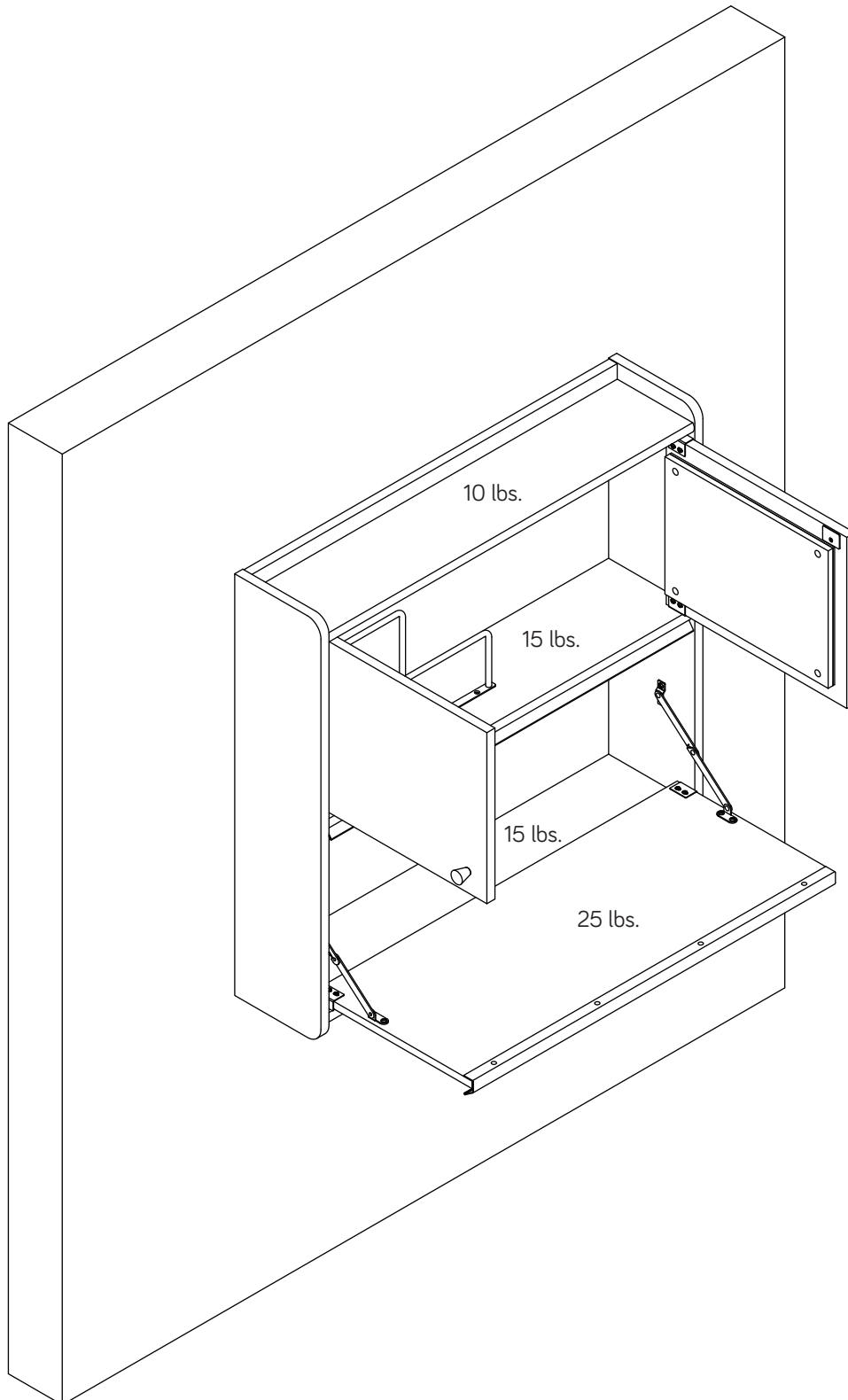
Step 3

- ✚ Remove your unit from the WALL SUPPORT (A).
- ✚ Peel APPLIQUES from the APPLIQUE CARDS (3) and stick them onto each visible SCREW head and unused hole in the WALL SUPPORT (A).
- ✚ Drill a 1/4" hole in your wall in the marked locations for the brackets.
- ✚ Turn the DRYWALL ANCHORS (2) into these holes until they are flush with the wall.
- ✚ Hang the WALL UNIT (B) back on the WALL SUPPORT (A).
- ✚ Securely fasten the WALL UNIT (B) to your wall using two BLACK 1" LARGE HEAD SCREWS (5) through the brackets and into the DRYWALL ANCHORS.



Step 4

- 🔩 **NOTE:** Please read the back pages of the instruction booklet for important safety information.
- 🔩 This completes assembly. Clean with a damp cloth. Wipe dry.



⚠ WARNING

Please use your furniture correctly and safely. Improper use can cause safety hazards, or damage to your furniture or household items. ***Carefully read the following chart.***

Look out for:	What can happen:	How to avoid the problem:
<ul style="list-style-type: none">• Properly mounting the unit to the wall.	<ul style="list-style-type: none">• If not properly mounted, the unit can fall from the wall and cause injury and damage.	<ul style="list-style-type: none">• Carefully review and follow the mounting instructions contained in this manual.
<ul style="list-style-type: none">• Overloaded shelves.	<ul style="list-style-type: none">• Risk of injury or property damage.• Overloaded furniture can break.	<ul style="list-style-type: none">• Never exceed the weight limits shown in the instructions.
<ul style="list-style-type: none">• Improper use of furniture to support TV's.• Placing TV's on furniture items not intended to support them is hazardous.	<ul style="list-style-type: none">• Risk of injury or death. TV's can be very heavy. Plus the weight and location of the picture screen can make furniture tip forward.	<ul style="list-style-type: none">• This product is not designed to support a television.