

The **stories** of your life.

# Narrow Bookcase

Hampstead Park Collection | **Model 5420283**

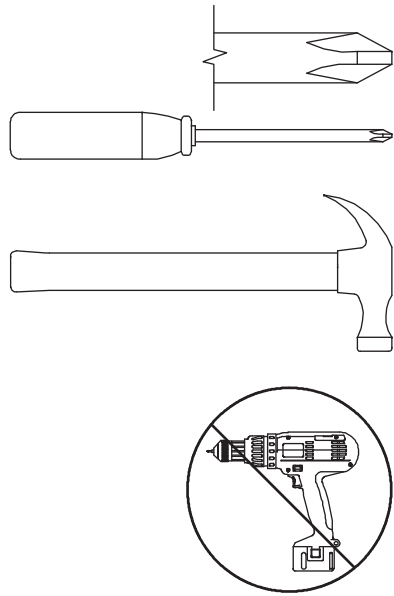
**NOTE:** THIS INSTRUCTION BOOKLET CONTAINS **IMPORTANT** SAFETY INFORMATION.

PLEASE READ AND KEEP FOR FUTURE REFERENCE.

# Table of Contents

# Assembly Tools Required

Part Identification	3
Hardware Identification	4
Assembly Steps	5-23
Français	24-27
Español	28-31
Safety	32-34
Warranty	35



No. 2 Phillips Screwdriver  
Tip Shown Actual Size

Hammer  
Not actual size 😊

Skip the power trip.  
This time.

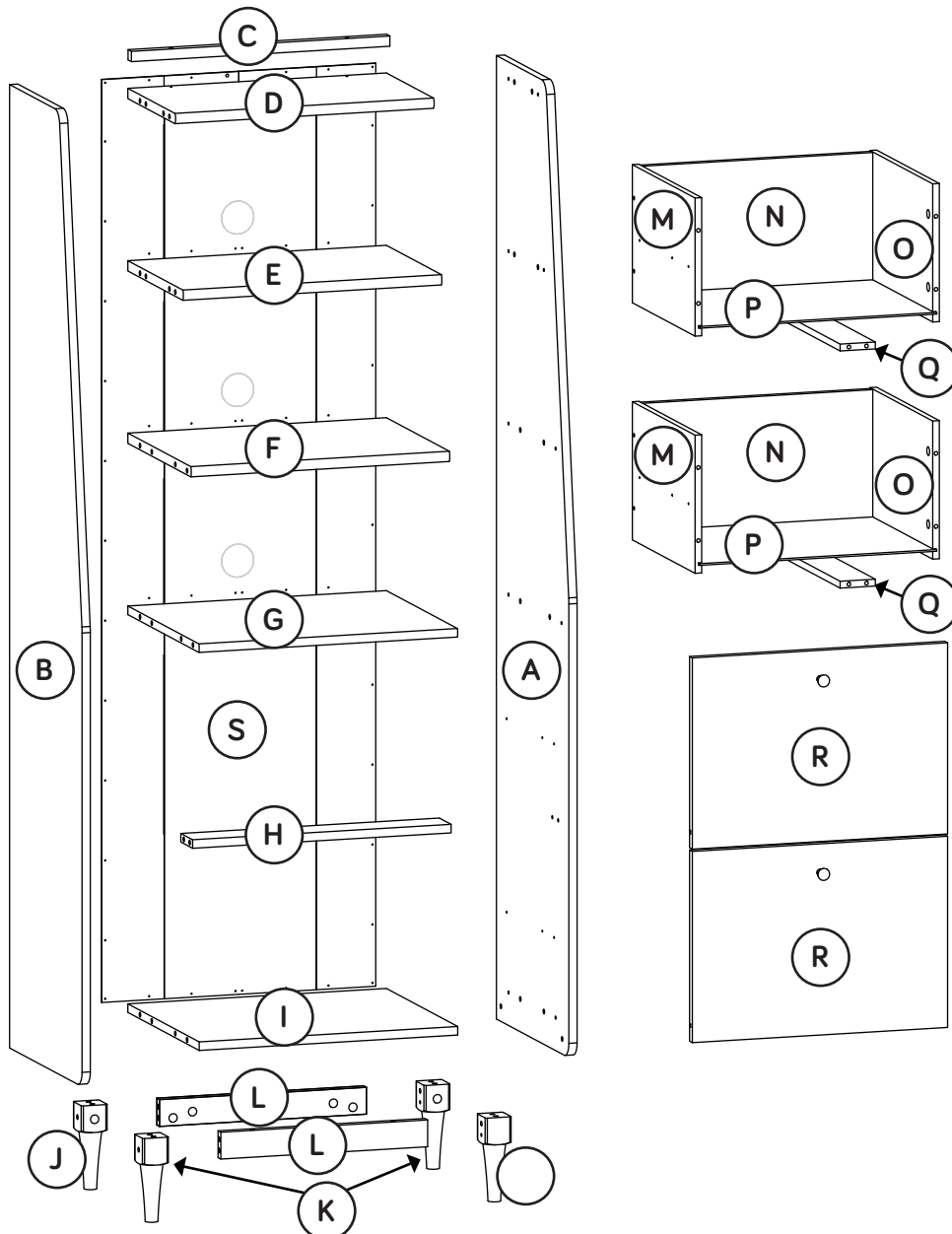
# Part Identification

Now you know  
our ABCs.



† While not all parts are labeled, some of the parts will have a label or an inked letter on the edge to help distinguish similar parts from each other. Use this part identification to help identify similar parts.

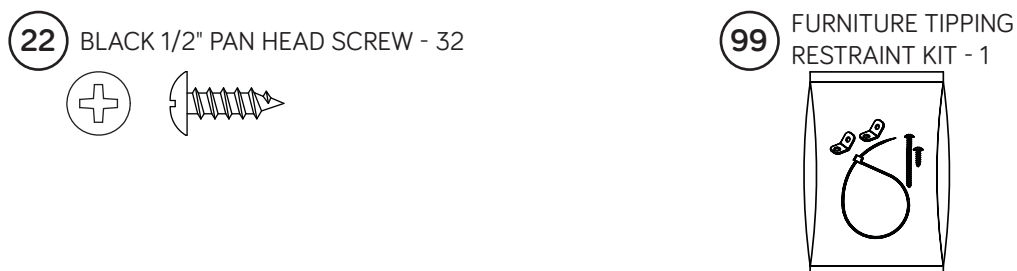
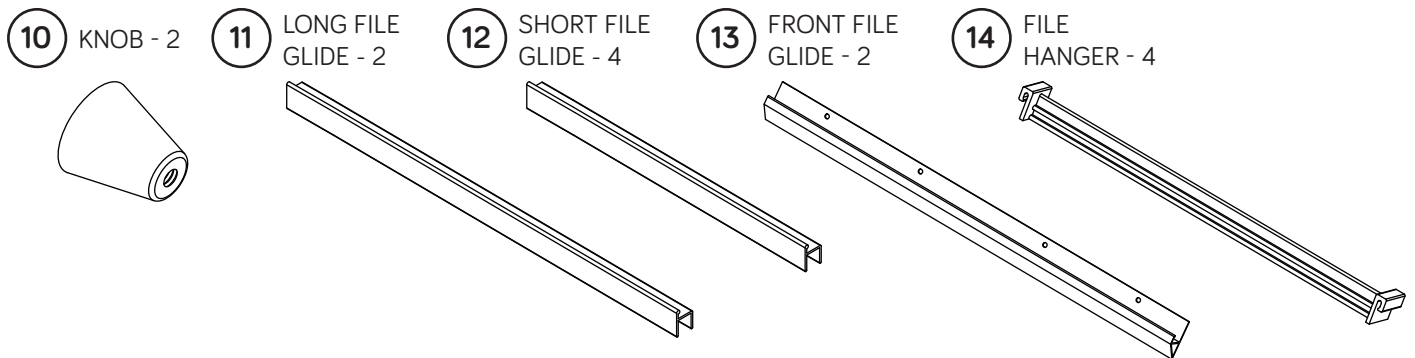
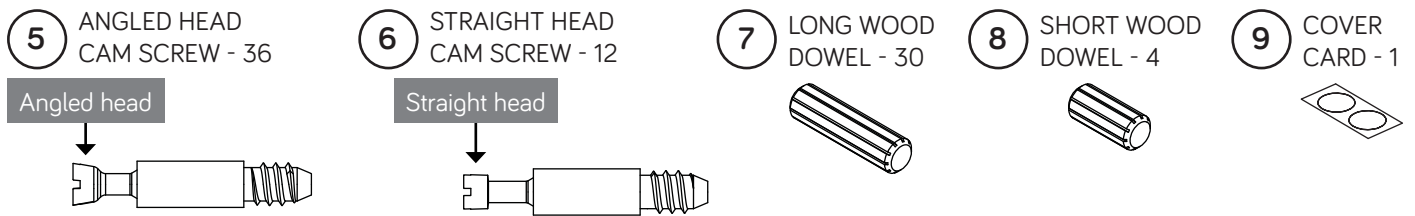
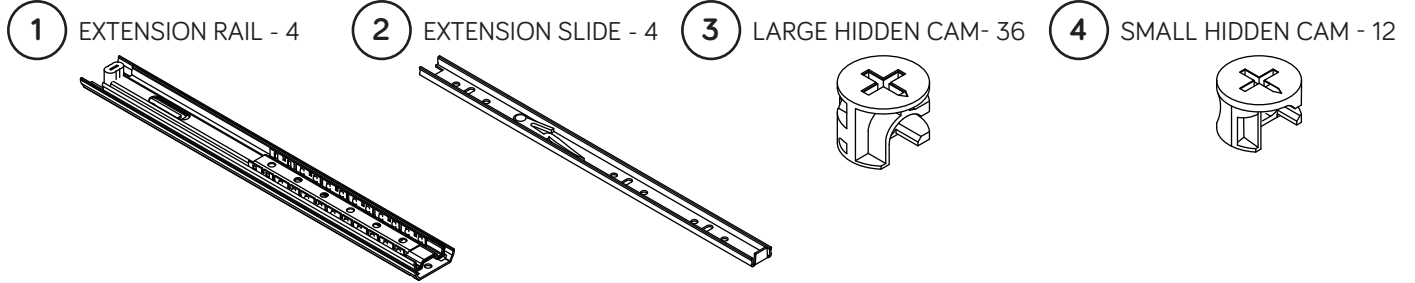
A	RIGHT END (1)	K	LEFT FRONT/RIGHT REAR FOOT (2)
B	LEFT END (1)	L	BOTTOM BRACE (2)
C	TOP MOLDING (1)	M	LEFT DRAWER SIDE (2)
D	TOP (1)	N	DRAWER BACK (2)
E	SMALL SHELF (1)	O	RIGHT DRAWER SIDE (2)
F	SHELF (1)	P	DRAWER BOTTOM (2)
G	LARGE SHELF (1)	Q	DRAWER BRACE (2)
H	BRACE (1)	R	DRAWER FRONT (2)
I	BOTTOM (1)	S	BACK (1)
J	RIGHT FRONT/LEFT REAR FOOT (2)		



# Hardware Identification

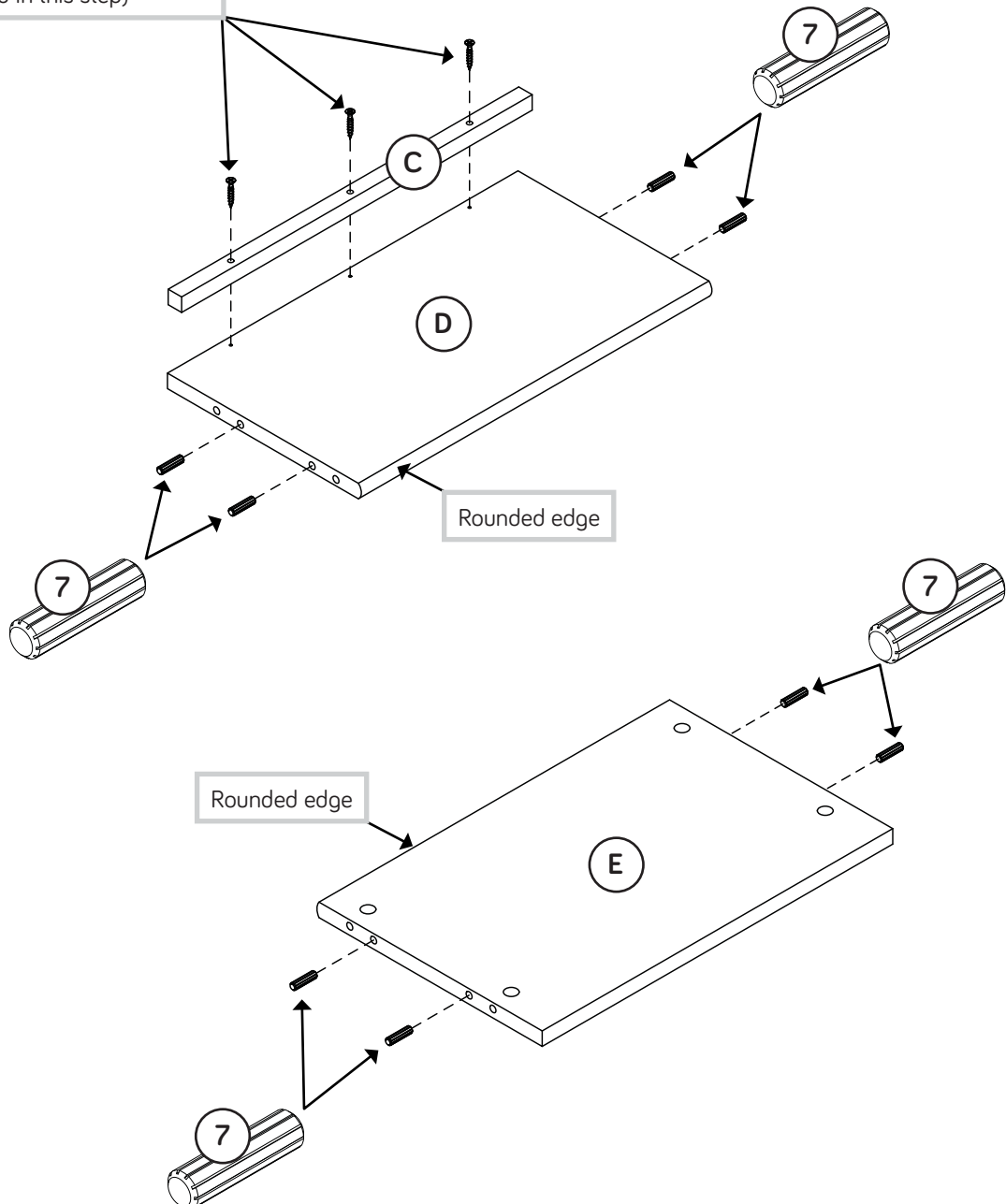
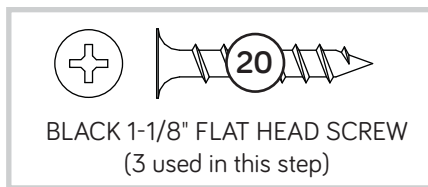
† Screws are shown actual size. You may receive extra hardware with your unit.

(EXTENSION SET SHOWN SEPARATED)



# Step 1

- ✚ Assemble your unit on a carpeted floor or on the empty carton to avoid scratching your unit or the floor.
- ✚ Fasten the TOP MOLDING (C) to the TOP (D). Use three BLACK 1-1/8" FLAT HEAD SCREWS (20).
- ✚ Insert eight LONG WOOD DOWELS (7) into the exact holes shown in the short edges of the TOP (D) and SMALL SHELF (E).

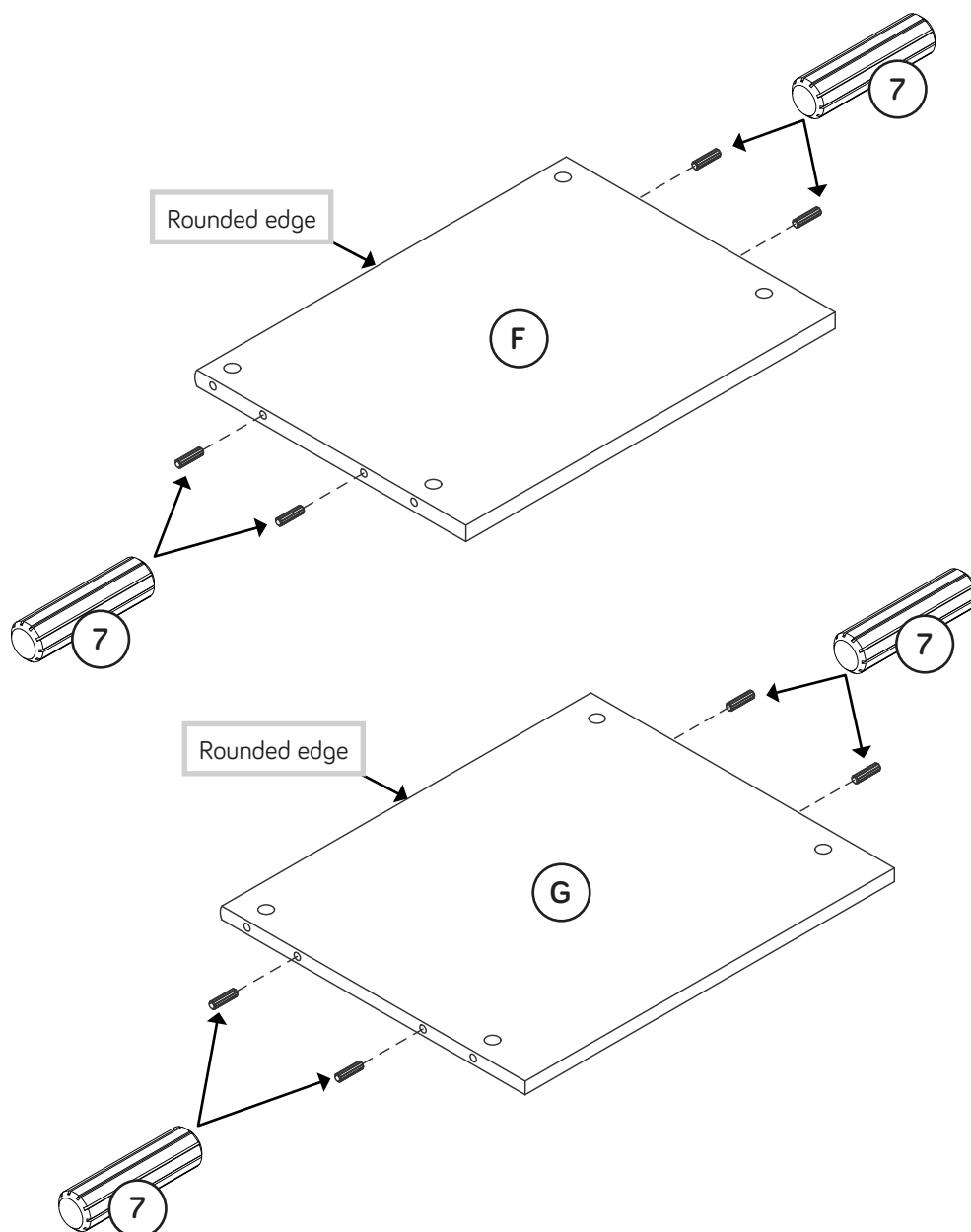


# Step 2

Insert eight LONG WOOD DOWELS (7) into the exact holes shown in the short edges of the SHELVES (F and G).

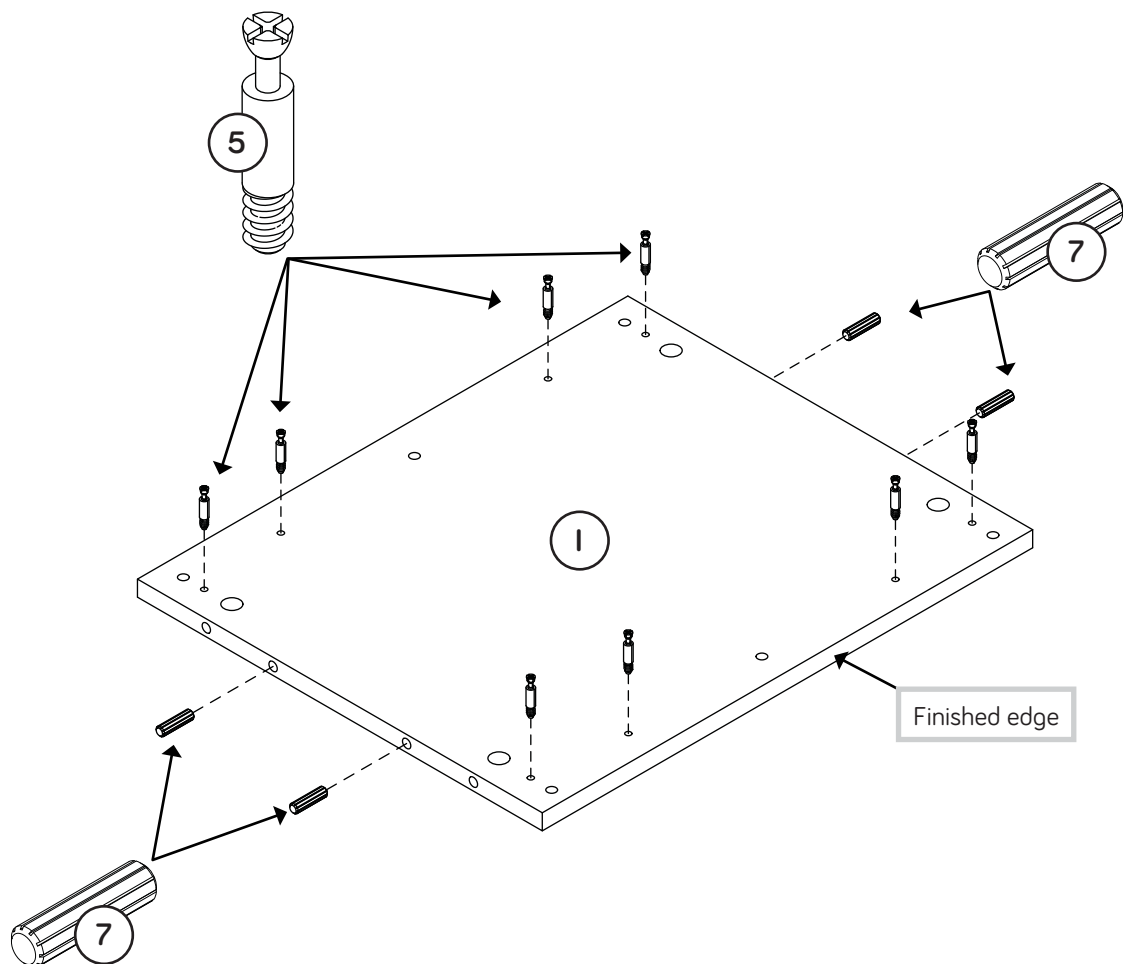
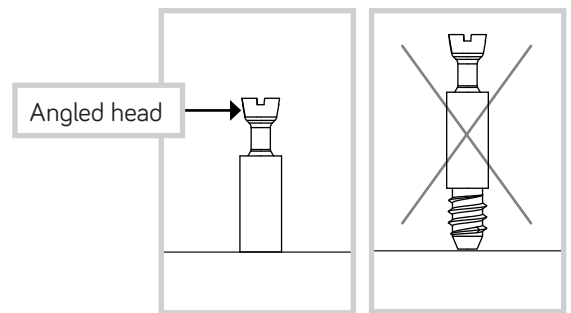


Some assembly  
(and snacks) required.



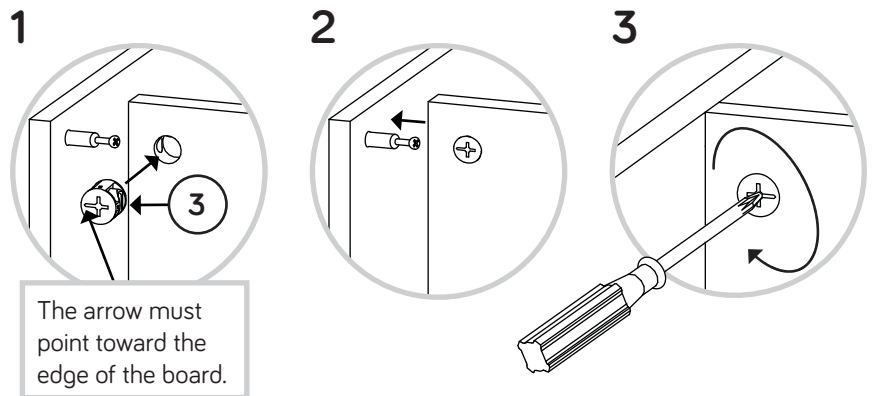
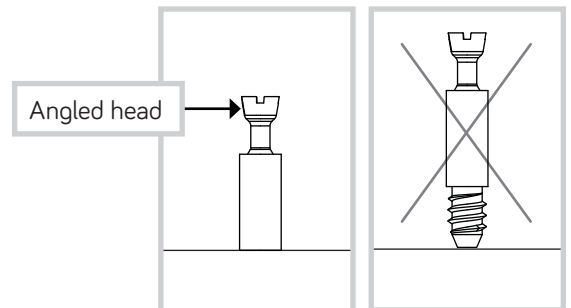
# Step 3

- Turn eight ANGLED CAM SCREWS (5) into the small holes in the BOTTOM (I).
- Insert four LONG WOOD DOWELS (7) into the edges of the BOTTOM (I).

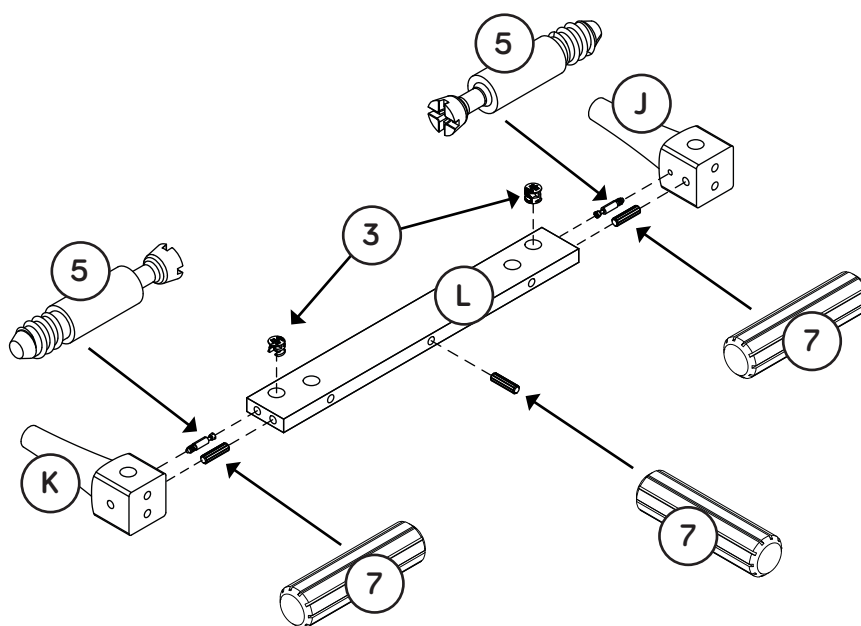


# Step 4

- ✚ Turn two ANGLED HEAD CAM SCREWS (5) into the FEET (J and K).
- ✚ Insert two LONG WOOD DOWELS (7) into the FEET (J and K) and one into the long edge of the BOTTOM BRACE (L).
- ✚ Insert two LARGE HIDDEN CAMS (3) into the holes in the BOTTOM BRACE (L) as shown.
- ✚ Fasten the FEET (J and K) to the BOTTOM BRACE (L). Tighten two LARGE HIDDEN CAMS.
- ✚ Repeat this step for the other FEET (J and K) and BOTTOM BRACE (L).



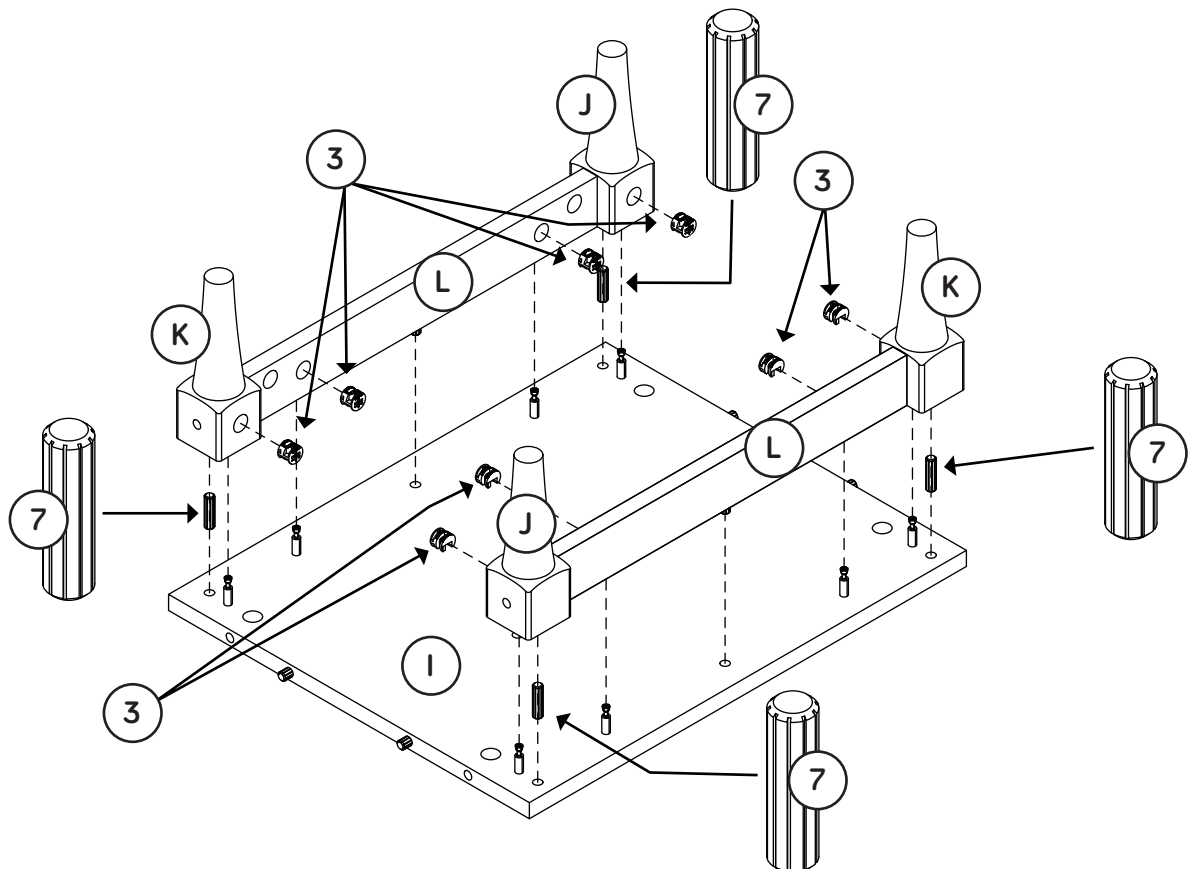
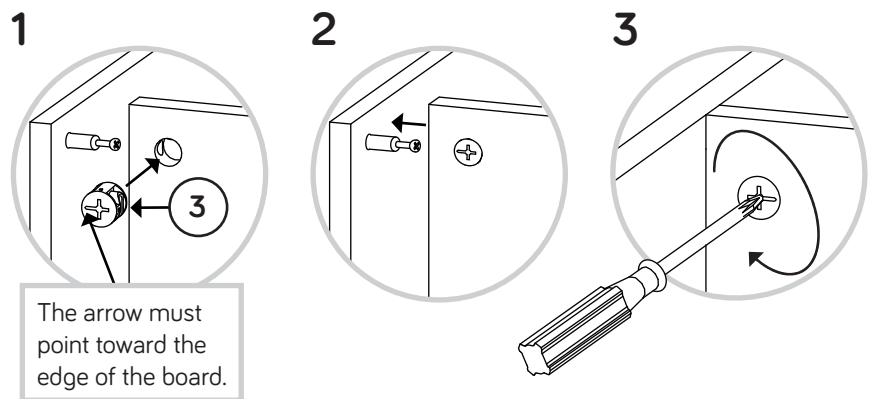
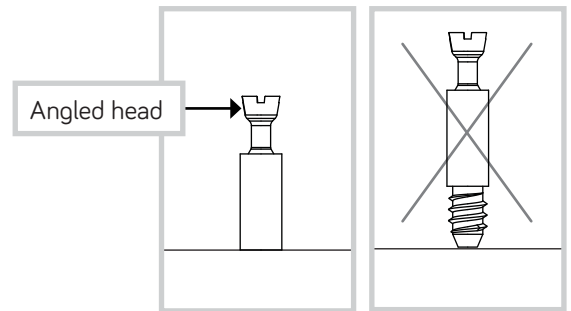
The arrow must point toward the edge of the board.





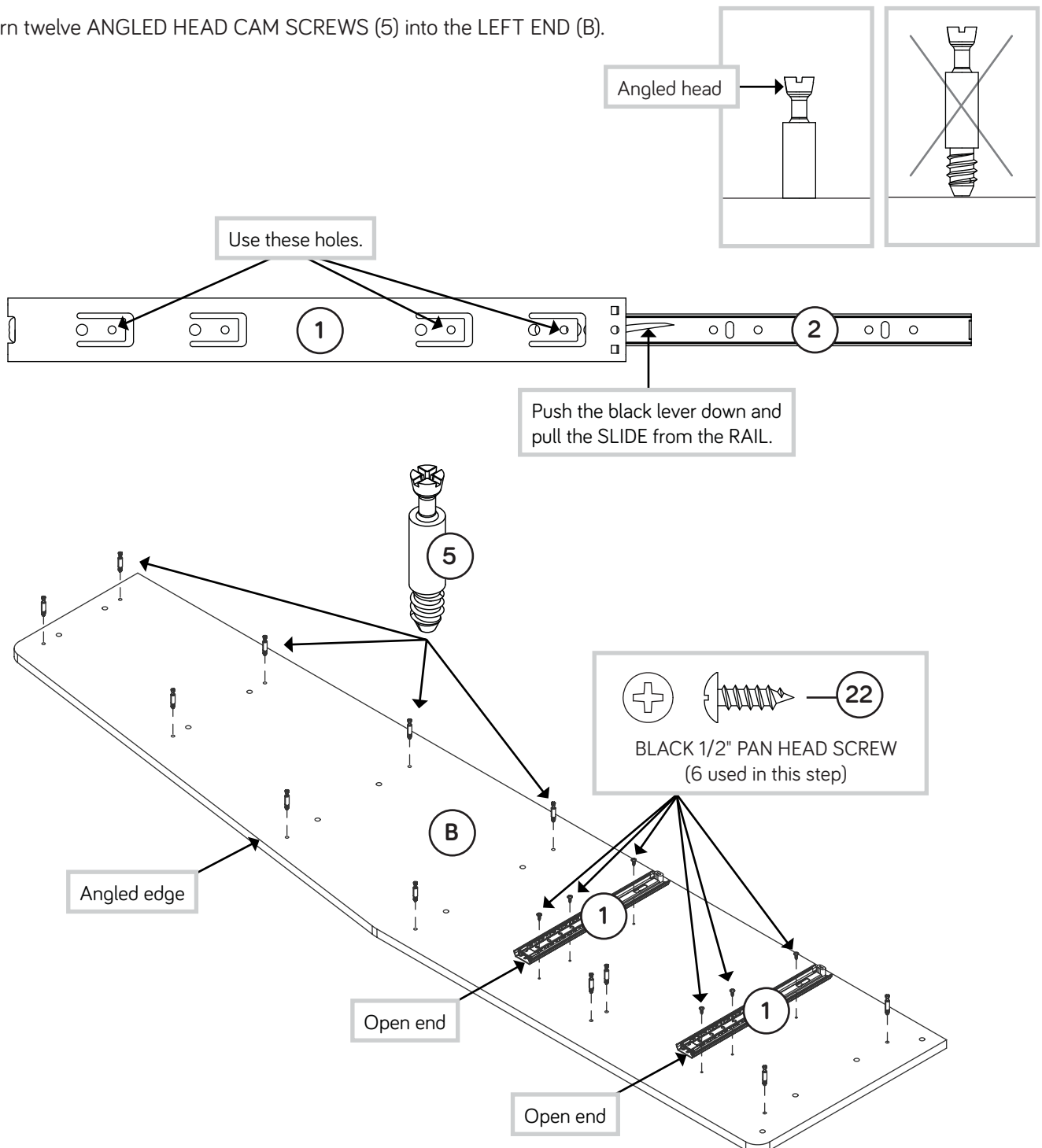
# Step 5

- ✚ Insert four LONG WOOD DOWELS (7) into the BOTTOM (I).
- ✚ Insert eight LARGE HIDDEN CAMS (3) completely into the holes in the BOTTOM BRACE (L) and FEET (J and K) as shown.
- ✚ Fasten the FEET (J and K) and BOTTOM BRACES (L) to the BOTTOM (I). Tighten eight LARGE HIDDEN CAMS.



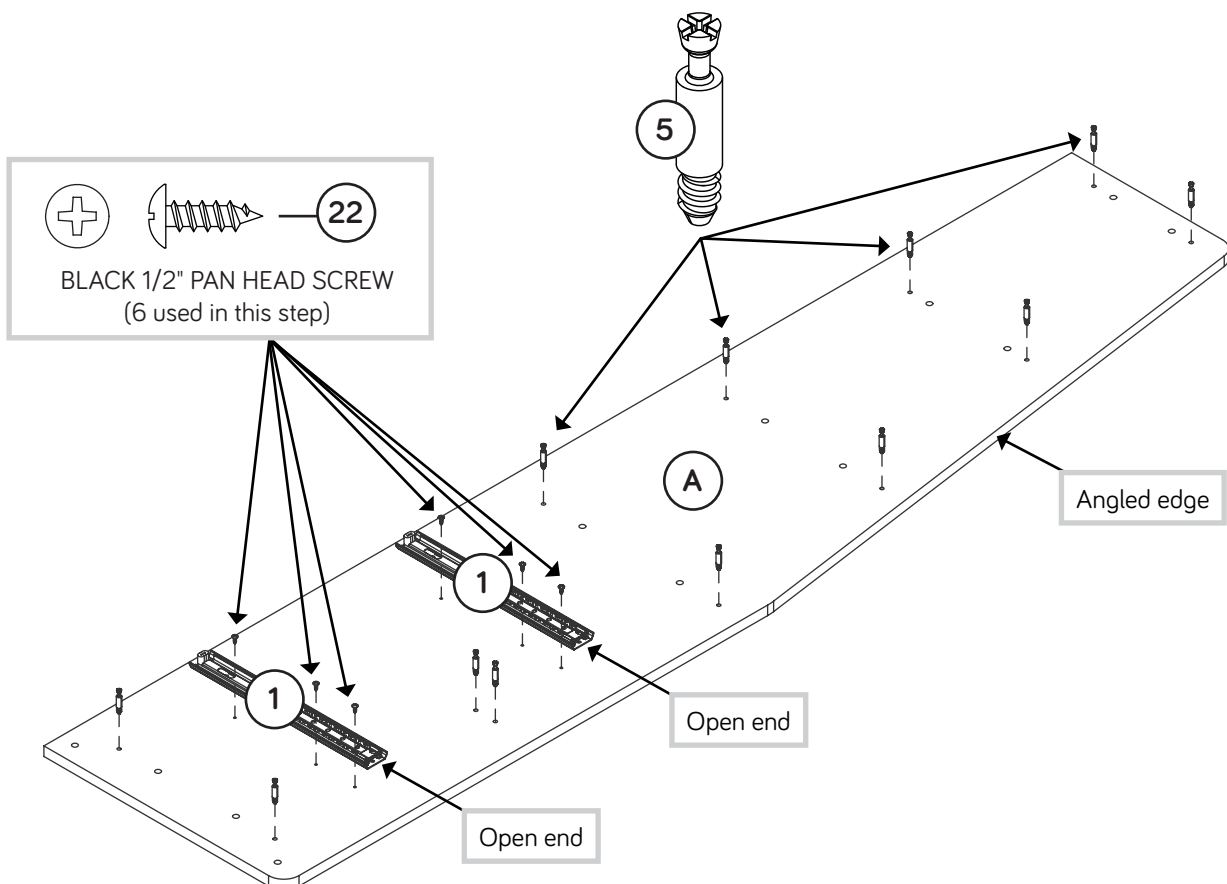
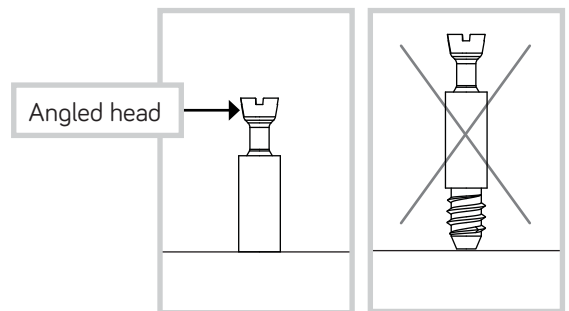
# Step 6

- ✚ Separate the EXTENSION SLIDES (2) from the EXTENSION RAILS (1) as shown in the diagram. Be prepared; the parts are greasy.
- ✚ Fasten two EXTENSION RAILS (1) to the LEFT END (B). Use six BLACK 1/2" PAN HEAD SCREWS (22).
- ✚ **NOTE:** For each EXTENSION RAIL, turn a SCREW into the holes shown in the diagram. Then, slide the inner cartridge of the EXTENSION RAIL in to find the other two holes that line up with the holes in the LEFT END. Turn the SCREWS into those holes.
- ✚ **NOTE:** The EXTENSION SLIDES will be used later for the DRAWERS.
- ✚ Turn twelve ANGLED HEAD CAM SCREWS (5) into the LEFT END (B).



# Step 7

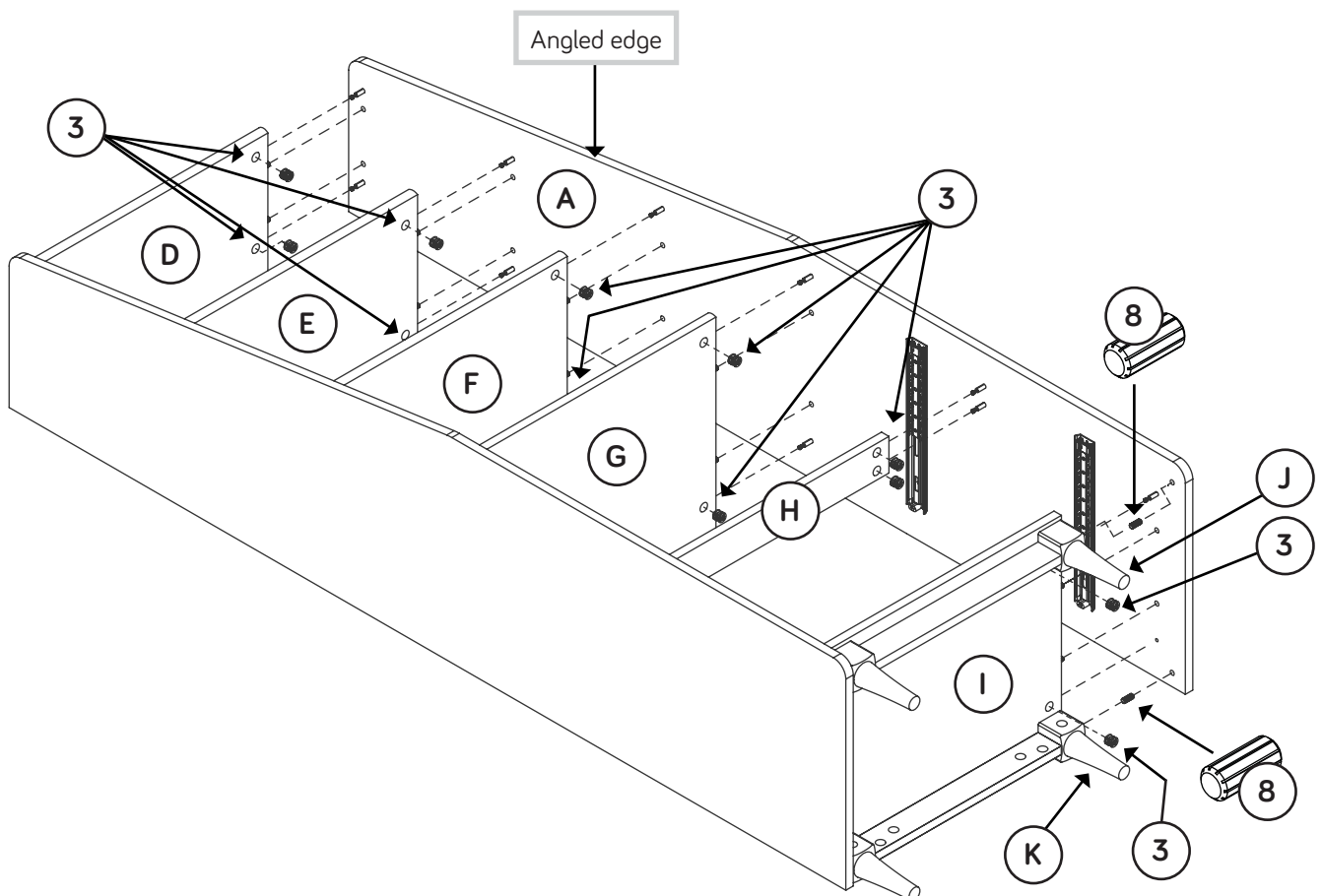
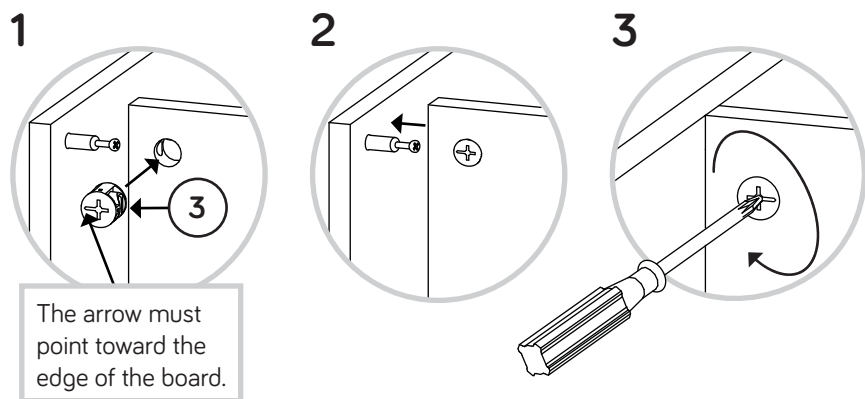
- Fasten two EXTENSION RAILS (1) to the RIGHT END (A). Use six BLACK 1/2" PAN HEAD SCREWS (22).
- NOTE:** For each EXTENSION RAIL, turn a SCREW into the holes shown in the diagram. Then, slide the inner cartridge of the EXTENSION RAIL in to find the other two holes that line up with the holes in the RIGHT END. Turn the SCREWS into those holes.
- Turn twelve ANGLED HEAD CAM SCREWS (5) into the RIGHT END (A).





# Step 9

- ✚ Insert two SHORT WOOD DOWELS (8) into the FEET (J and K).
- ✚ Insert twelve LARGE HIDDEN CAMS (3) into the TOP (D), SHELVES (E, F and G), BRACE (H) and BOTTOM (I).
- ✚ Fasten the RIGHT END (A) to the TOP (D), SHELVES (E, F and G), BRACE (H) and BOTTOM (I). Tighten twelve LARGE HIDDEN CAMS.
- ✚ **NOTE:** Be sure the WOOD DOWELS in the TOP, SHELVES, BOTTOM and FEET insert into the RIGHT END.

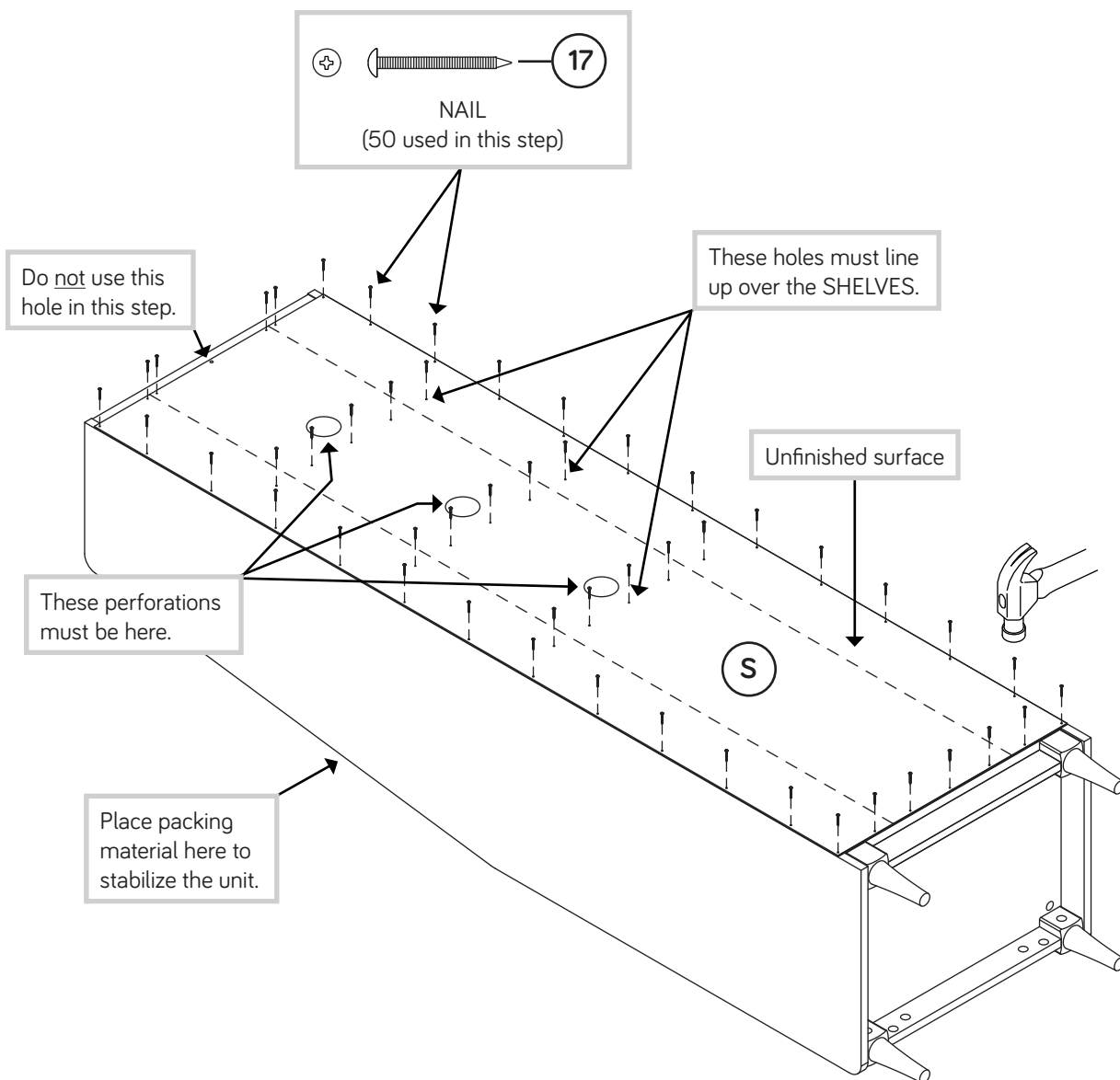


# Step 10

- ✚ Carefully turn your unit over onto its front edges. Unfold the BACK (S) and lay it over your unit.
- ✚ Place packing material under the angled ends to stabilize the unit.
- ✚ Make equal margins along all four edges of the BACK (S). Push on opposite corners of your unit if needed to make it "square".
- ✚ Fasten the BACK (S) to your unit using fifty NAILS (17).
- ✚ **NOTE:** Perforations have been provided for access through the BACK. Carefully cut out the holes needed.



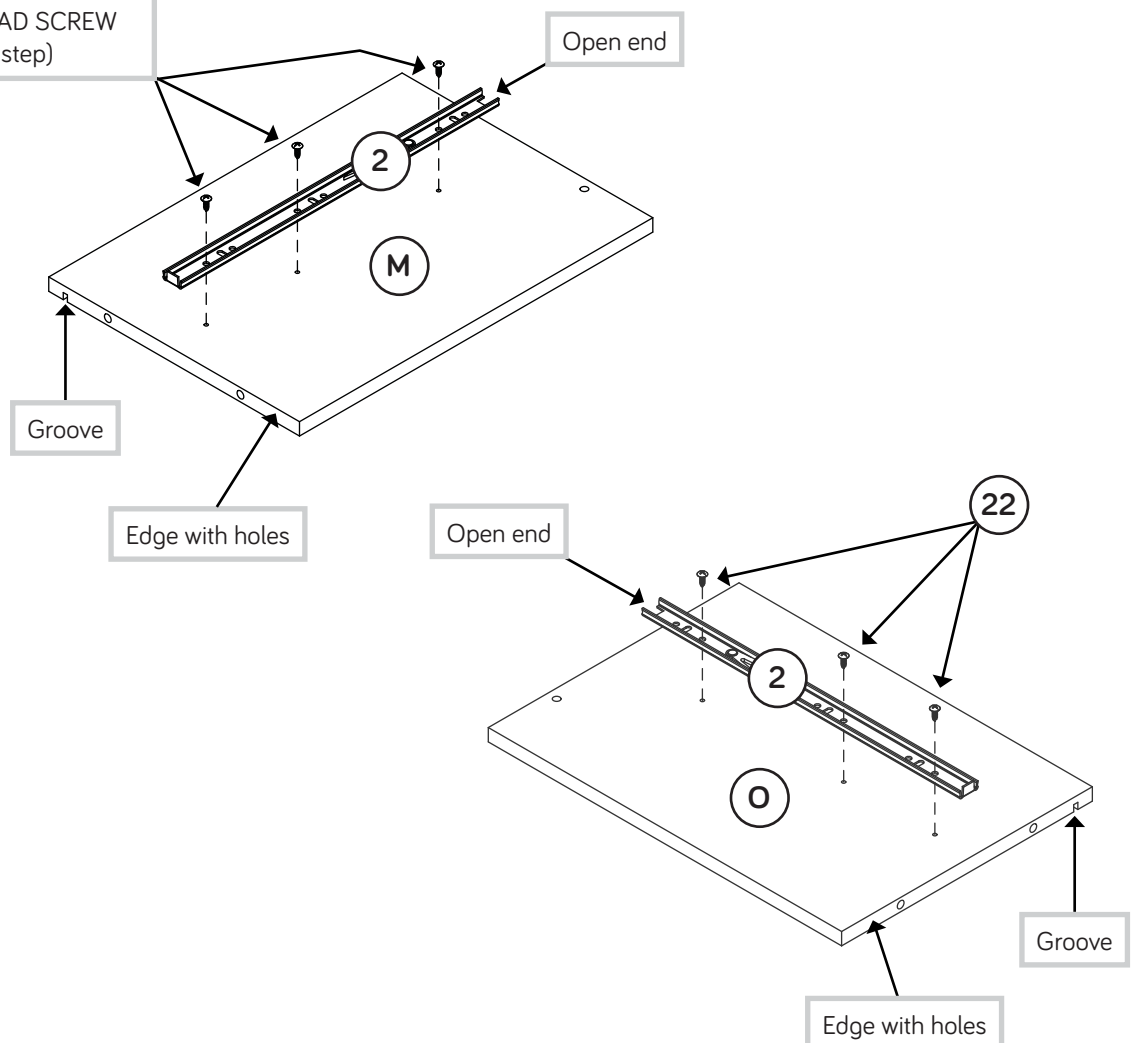
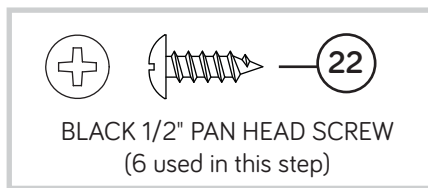
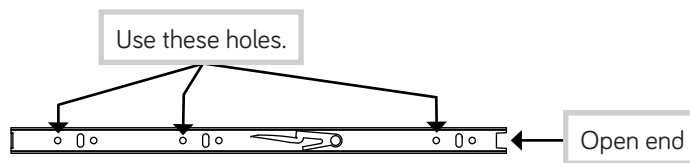
Now might be a good time to refresh your drink.



# Step 11

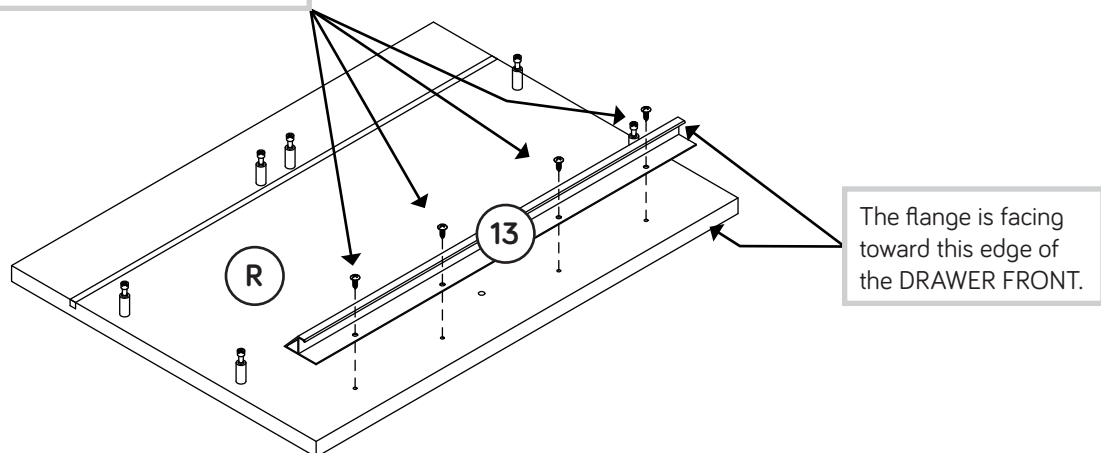
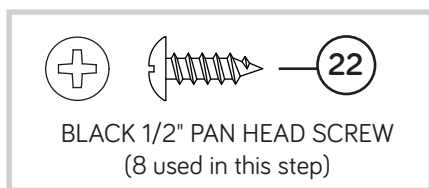
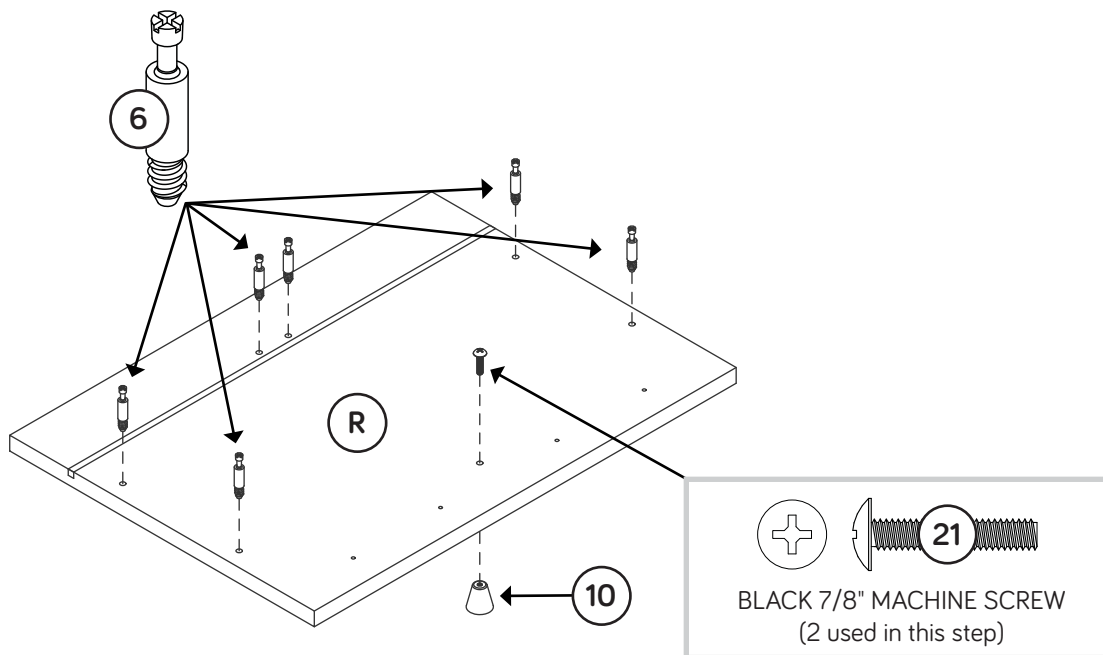
Fasten two EXTENSION SLIDES (2) to the DRAWER SIDES (M and O). Use six BLACK 1/2" PAN HEAD SCREWS (22) through holes 3, 6, and 9 from the open end.

**NOTE:** Complete steps 11-17 for assembly of one drawer. Then, repeat these steps to complete the assembly of the other drawer.



# Step 12

- Turn six STRAIGHT HEAD CAM SCREWS (6) into the DRAWER FRONT (R).
- Fasten a KNOB (10) to the DRAWER FRONT (R). Use a BLACK 7/8" MACHINE SCREW (21).
- Fasten a FRONT FILE GLIDE (13) to the DRAWER FRONT (R) as shown below. Use four BLACK 1/2" PAN HEAD SCREWS (22).

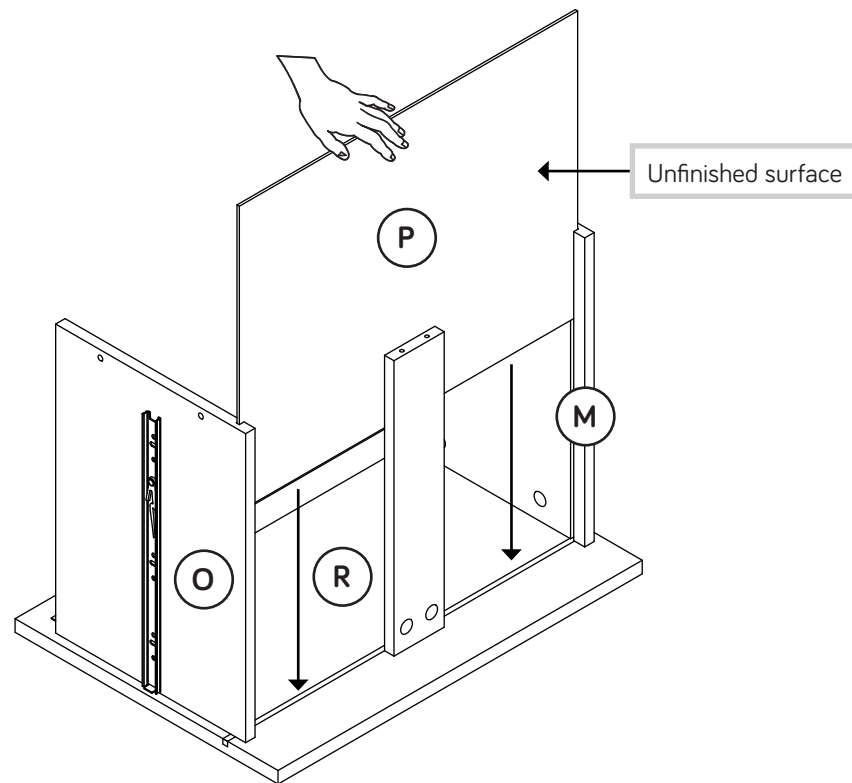






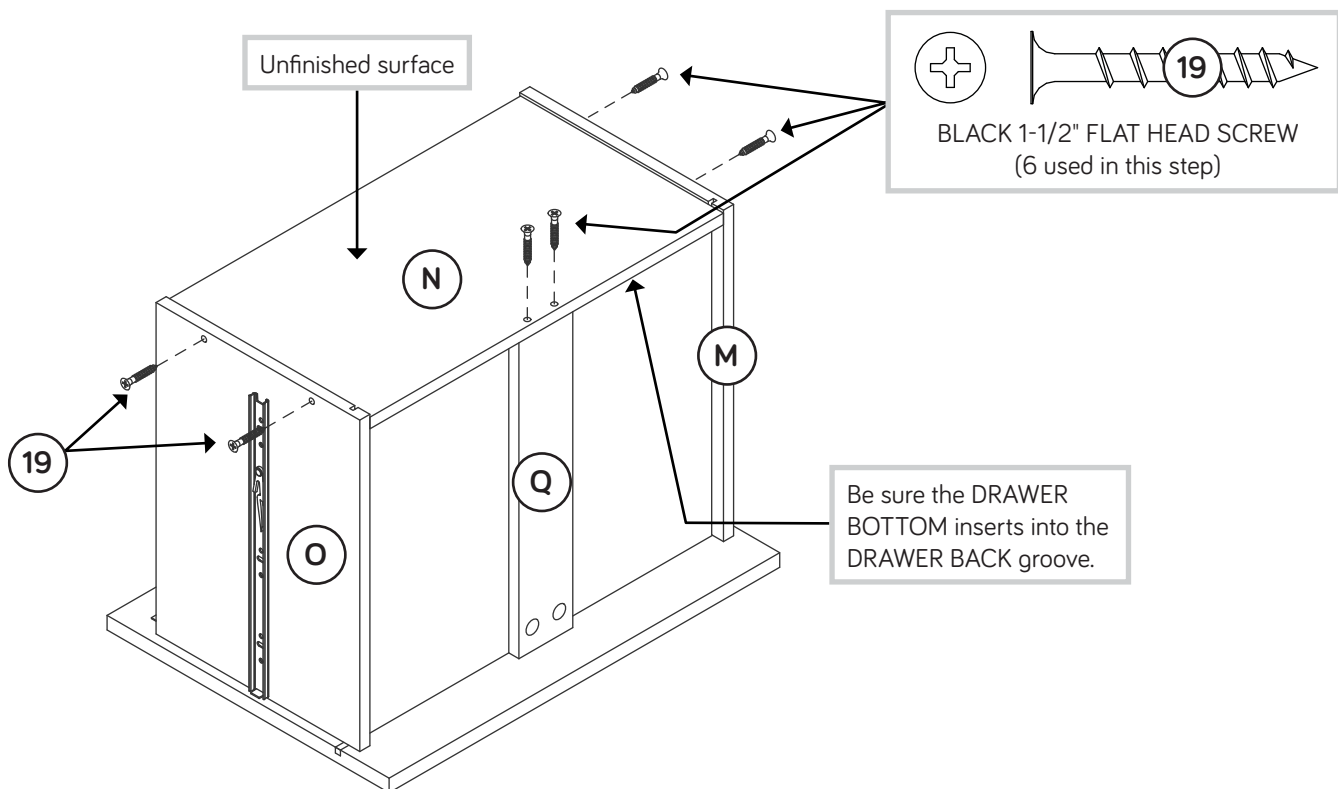
# Step 14

- Slide a DRAWER BOTTOM (P) into the grooves in the DRAWER SIDES (M and O) and DRAWER FRONT (R).



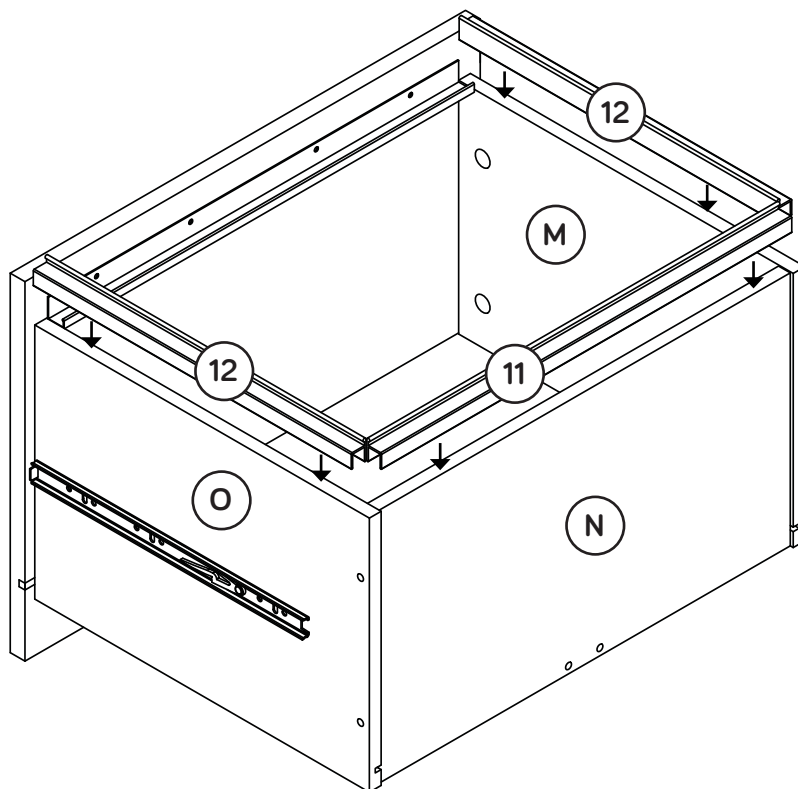
# Step 15

- Fasten a DRAWER BACK (N) to the DRAWER SIDES (M and O) and DRAWER BRACE (Q). Use six BLACK 1-1/2" FLAT HEAD SCREWS (19).



# Step 16

- ✚ Push two SHORT FILE GLIDES (12) onto the DRAWER SIDES (M and O) as shown.
- ✚ Push a LONG FILE GLIDE (11) onto the DRAWER BACK (N) as shown.

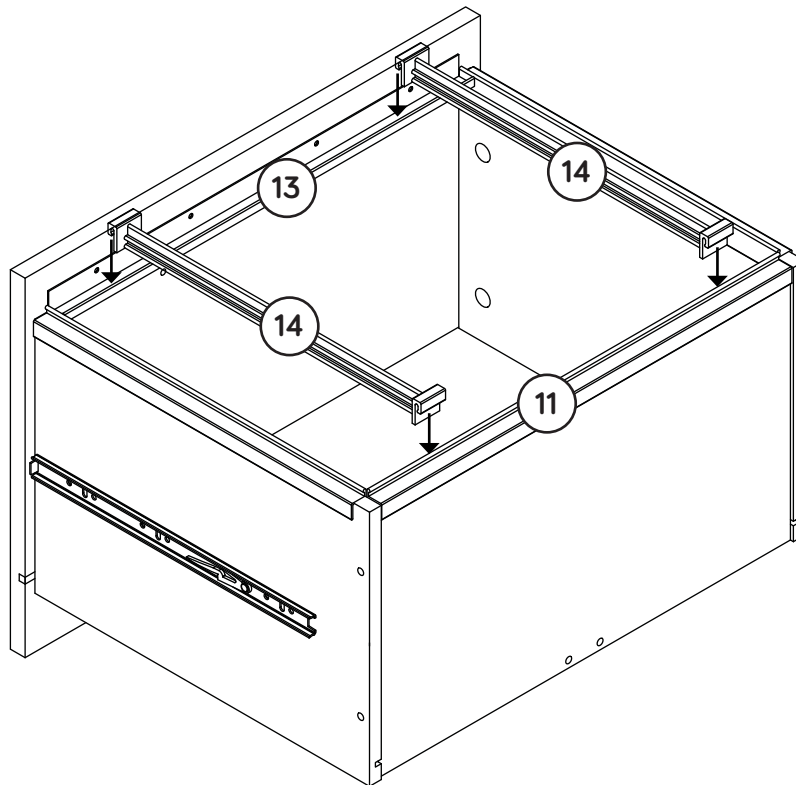


# Step 17

- ✚ Push two FILE HANGERS (14) onto the FRONT FILE GLIDE (13) and LONG FILE GLIDE (11).
- ✚ Repeat steps 11-17.

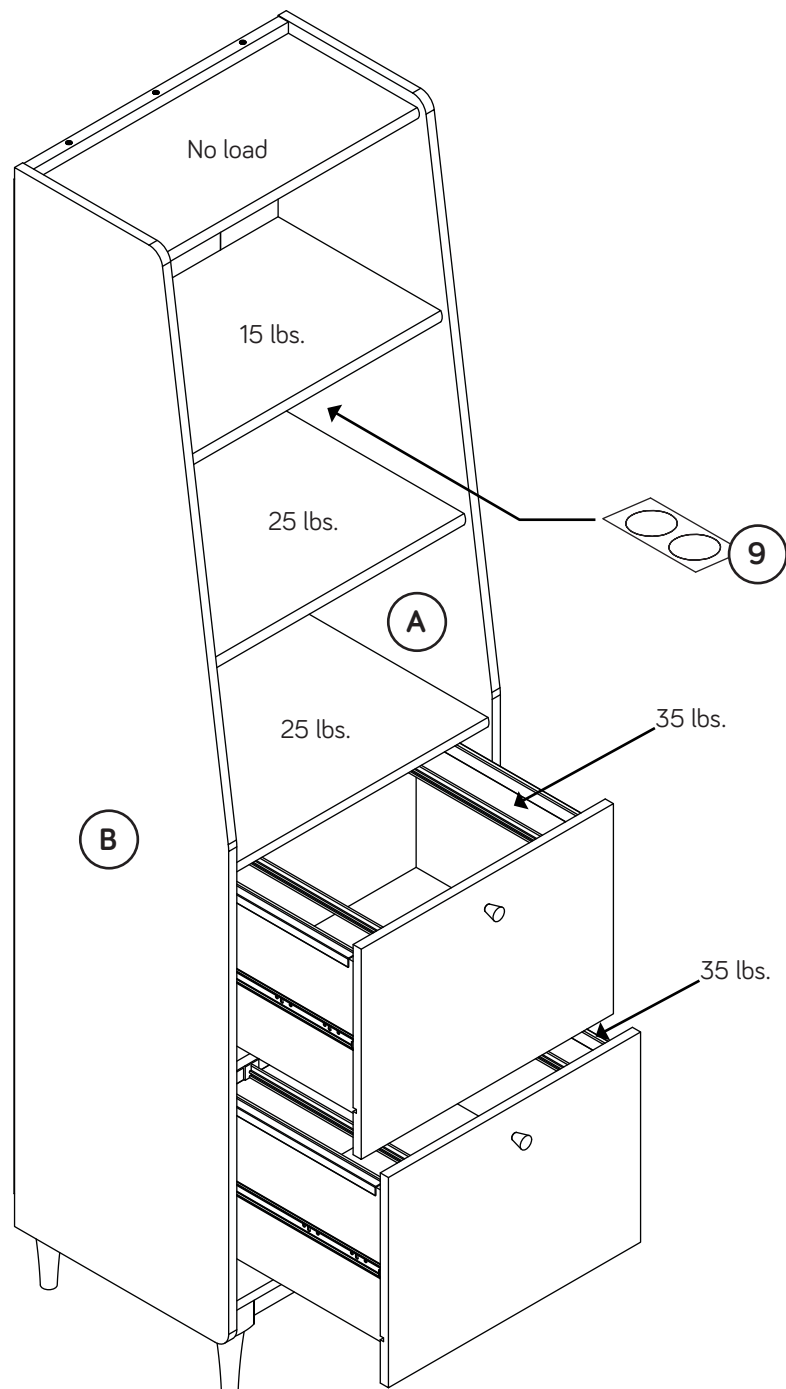


Almost time to celebrate! With a nap.



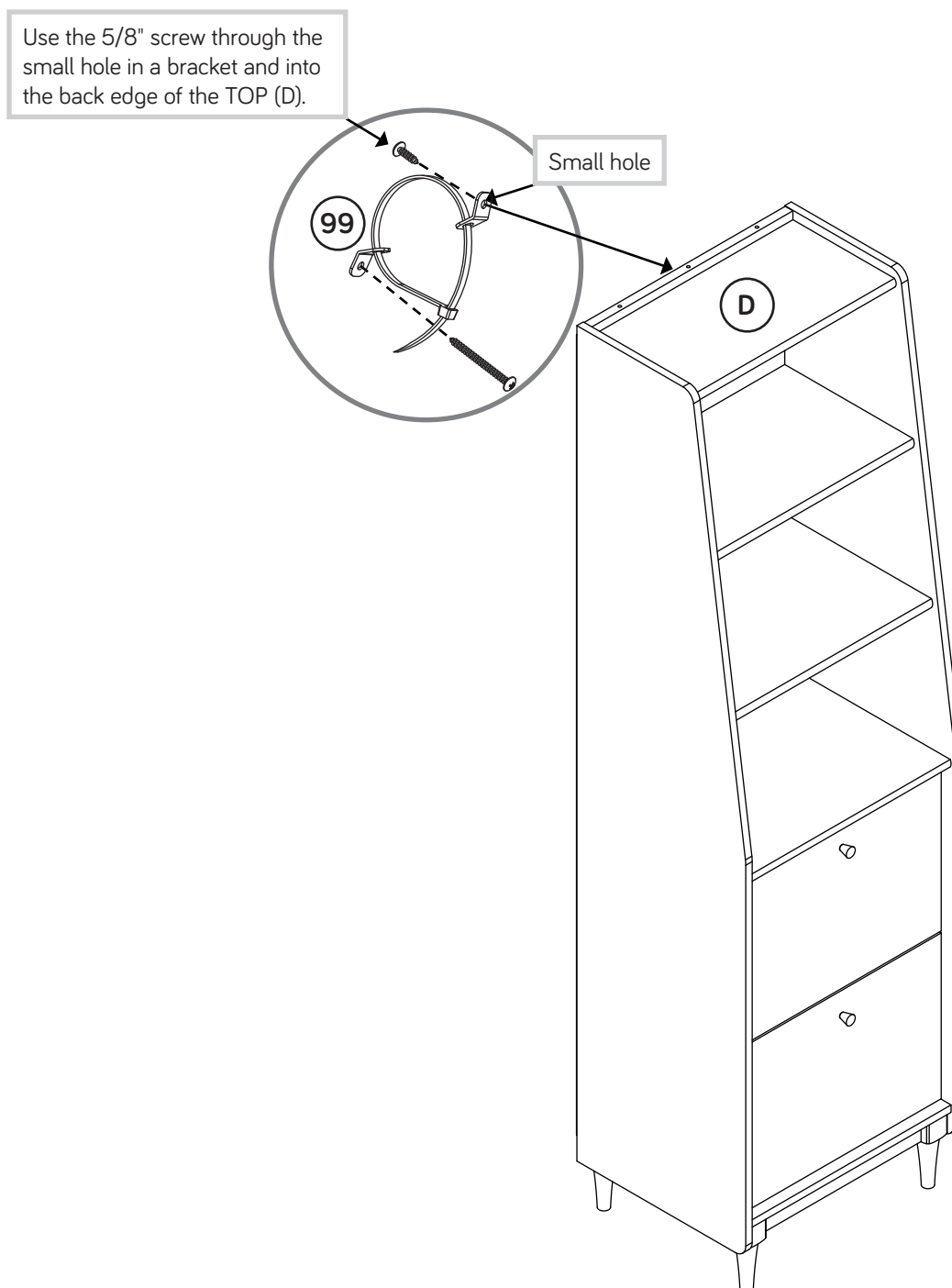
# Step 18

- ✚ Carefully stand your unit upright.
- ✚ Before inserting the drawers, move your unit close to its final position.
- ✚ To insert the drawers into your unit, line up the EXTENSION SLIDES on the drawers with the EXTENSION RAILS on the unit and push the drawers into the unit until they are fully inserted. The drawers will push in hard until they are all the way in, then they will slide in and out easier.
- ✚ Peel a CAM COVER from COVER CARD (9) and stick it onto each visible HIDDEN CAM.
- ✚ **NOTE:** Be sure the grain direction in the CAM COVER matches the grain direction in the ENDS (A and B).



# Step 19

- ✚ We recommend using the FURNITURE TIPPING RESTRAINT KIT (99) for added stability. Fasten a bracket to the back edge of the TOP (D) using the 5/8" screws as shown.
- ✚ NOTE: You will use the hole in the BACK that were not used in Step 10.
- ✚ Place your unit in its final location against a wall.
- ✚ Follow the instructions included in the KIT to fasten your unit to the wall.
- ✚ NOTE: Please read the back pages of the instruction booklet for important safety information.
- ✚ This completes assembly. Clean with your favorite furniture polish or a damp cloth. Wipe dry.



### **WARNING**

Please use your furniture correctly and safely. Improper use can cause safety hazards, or damage to your furniture or household items. **Carefully read the following chart.**

Look out for:	What can happen:	How to avoid the problem:
<ul style="list-style-type: none"><li>• Overloaded shelves.</li><li>• Improper loading can cause the product to be top-heavy.</li></ul>	<ul style="list-style-type: none"><li>• Risk of injury.</li><li>• Top-heavy furniture can tip over.</li><li>• Overloaded shelves can break.</li></ul>	<ul style="list-style-type: none"><li>• Never exceed the weight limits shown in the instructions.</li><li>• Work from bottom to top when loading shelves. Place the heavier items on the lower shelves.</li></ul>
<ul style="list-style-type: none"><li>• Improperly moving furniture that is not designed and equipped with casters.</li></ul>	<ul style="list-style-type: none"><li>• Furniture can tip over or break if improperly moved.</li><li>• Physical injury. Furniture can be very heavy.</li></ul>	<ul style="list-style-type: none"><li>• Unload shelves from top to bottom before moving the furniture.</li><li>• Do not push furniture, especially on a carpeted floor. Have a friend help you lift the item and set it in place.</li><li>• This unit must be positioned against a wall.</li></ul>
<ul style="list-style-type: none"><li>• Children climbing on the shelves can cause the product to tip.</li></ul>	<ul style="list-style-type: none"><li>• Risk of injury or death.</li></ul>	<ul style="list-style-type: none"><li>• Do not allow children to climb on the shelves. Avoid placing items like toys or candy on upper shelves.</li><li>• Use the supplied safety strap for added stability.</li></ul>
<ul style="list-style-type: none"><li>• Placing TVs on furniture items that are not designed to support a television is hazardous.</li></ul>	<ul style="list-style-type: none"><li>• Risk of injury or death. TVs can be very heavy. Plus the weight and location of the picture tube tends to make TVs unbalanced and prone to tipping forward.</li></ul>	<ul style="list-style-type: none"><li>• This product is not designed to support a television.</li></ul>