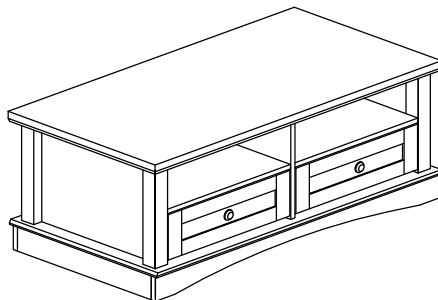


TIMBER ART DESIGN UK

CF 920025

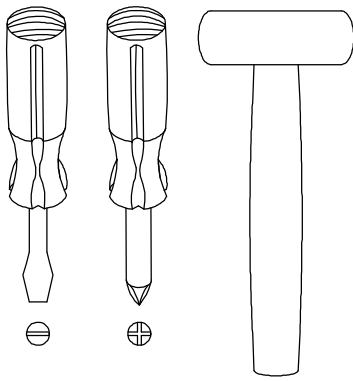
ASSEMBLY INSTRUCTIONS



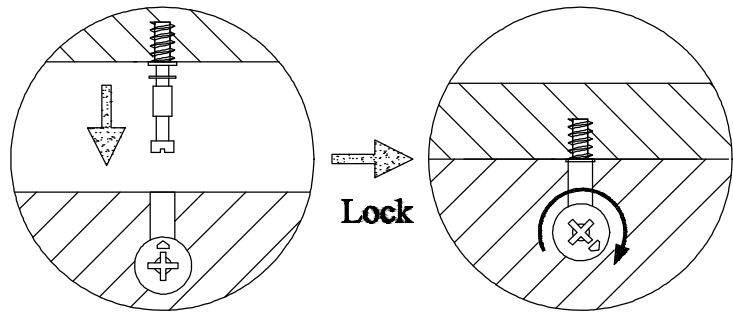
**IMPORTANT
PLEASE READ BEFORE YOU CONTINUE FURTHER**

WARNING AND INSTRUCTIONS

- **PLEASE KEEP THE ORIGINAL PACKAGING UNTIL THE ITEM IS FULLY ASSEMBLED AND IN PLACE. IN THE UNLIKELY EVENT THAT YOU NEED TO RETURN YOUR PRODUCT, IT MUST BE RETURNED IN ITS ORIGINAL PACKAGING TO AVOID FURTHER DAMAGE. FAILURE TO COMPLY TO THESE PROCEDURES, NO RETURN'S WILL BE ACCEPTED.**
- **IMPORTANT: RETAIN THESE INSTRUCTIONS FOR FUTURE REFERENCE.**
- **DUE TO THE SIZE OF THIS PRODUCT WE RECOMMEND THAT IT IS ASSEMBLED IN THE ROOM INTENDED FOR USE.**
- **WHEN YOU ARE READY TO START, MAKE SURE THAT YOU HAVE THE RIGHT TOOLS, PLENTY OF SPACE AND A CLEAN, DRY AREA FOR ASSEMBLY.**
- **UNWRAP ALL PACKAGING MATERIALS AND PLACE THE COMPONENTS ON TOP OF THE CARTON BOX OR ON A CLEAN FLOOR TO PREVENT IT FROM SCRATCHING.**
- **CHECK THE PACK AND MAKE SURE YOU HAVE ALL THE PARTS LISTED.**
- **ENSURE THAT THIS PRODUCT IS FULLY ASSEMBLED AS ILLUSTRATED BEFORE USE.**
- **TOOLS NOT INCLUDED.**
- **CHECK ALL SCREWS OR BOLTS ARE TIGHTENED AND INSPECT REGULARLY.**
- **THIS PRODUCT SHOULD ONLY BE USED ON FIRM LEVEL GROUND.**
- **KEEP SMALL PART OUT OF REACH OF CHILDREN.**
- **MAKE SURE THE LEGS REMAIN IN CONTACT WITH THE GROUND.**
- **DO NOT USE POWER TOOLS TO CONSTRUCT THIS PRODUCT.**
- **DO NOT TIGHTENED SCREWS UNTIL FULLY ASSEMBLED.**
- **DO NOT OVER TIGHTENED SCREWS OR BOLTS.**
- **DO NOT USE THIS PRODUCT IF PARTS ARE MISSING, DAMAGE OR WORN.**
- **DO NOT SIT AND STAND ON THE PRODUCT.**
- **TO CLEAN WIPE WITH A SPONGE AND WARM SOAPY WATER. DO NOT USE SOLVENT BASED CLEANERS OR DETERGENTS AS THEY CAN BLEACH OR DAMAGE THE PRODUCT.**
- **NEVER USE SCOURERS, ABRASIVES OR CHEMICAL CLEANERS.**

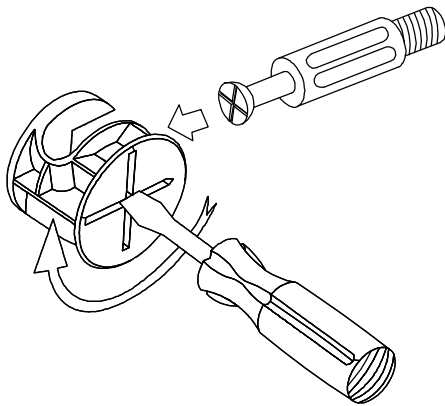


(Tools not provided)



Use a flat blade screwdriver to tighten the cam nuts. A quarter turn clockwise is all that is needed.

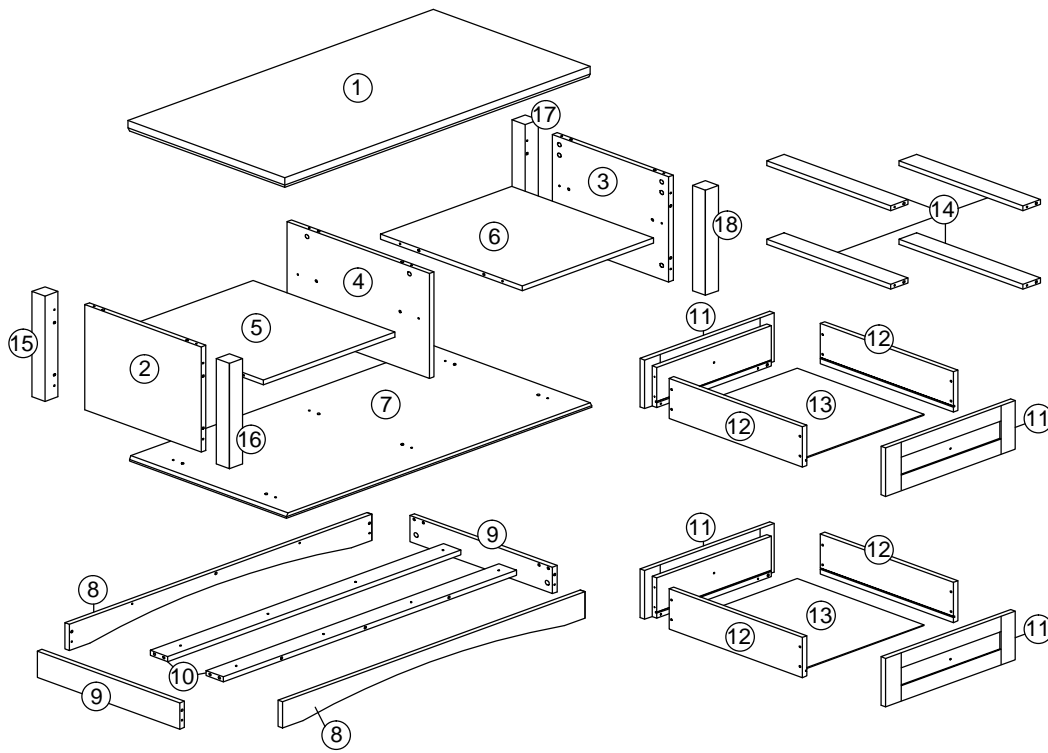
This is how a cam nut works.....



The head of the cam bolt goes into the open mouth of the cam nut. You then turn the cam nut so it tightens over the bolt.

TWO PERSONS REQUIRED TO ASSEMBLE THIS PRODUCT

- 1. Please check that you have all the parts listed before you start assembling. If you do find that something is missing, do not continue assembly. Please contact your supplier immediately.**
- 2. Lay out all of the components on a soft surface as if you were preparing to do a jigsaw puzzle.**
- 3. Separate and identify each component from the hardware pack and rest each one in its proper location before fastening.**



PARTS LIST

NO.	PARTS					QTY
1	1050	X	540	X	30	1 PC
2	340	X	400	X	18	1 PC
3	340	X	400	X	18	1 PC
4	490	X	340	X	15	1 PC
5	451	X	488	X	15	1 PC
6	451	X	488	X	15	1 PC
7	1050	X	540	X	15	1 PC
8	1038	X	85	X	15	2 PCS
9	490	X	85	X	15	2 PCS
10	1006	X	60	X	15	2 PCS
11	445	X	157	X	18	4 PCS
12	454	X	130	X	15	4 PCS
13	430	X	403	X	2.5	2 PCS
14	422	X	60	X	15	4 PCS
15	340	X	45	X	45	1 PC
16	340	X	45	X	45	1 PC
17	340	X	45	X	45	1 PC
18	340	X	45	X	45	1 PC






HARDWARE LIST

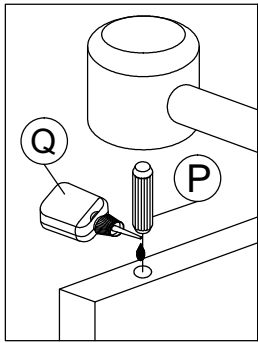
NO.	DESCRIPTION		QTY
A		WOOD DOWEL M8 x 25MM	42
B		CAM NUT	38
C		CAM BOLT	38
D		CAM CAP	38
E		CB SCREW M3.5 x 16MM	36
F		CB SCREW M4 x 28MM	8
G		CB SCREW M4 x 38MM	16
H		CSK CAP WOOD M6 x 50MM	6
I		HANDLE 3A	4
J		HANDLE SCREW M4 x 32MM	4
K		ALLEY KEY M4	1
L		PVC NAIL WITH PIN 5/8	4
M		2 WAY SLIDE 18"	4
N		METAL CENTER LEG - 85MM	1
O		BAT BRACKET-V	4
P		WOOD DOWEL M8X40MM	8
Q		FURNITURE GLUE (10G)	1

THE USE OF POWER TOOLS TO ASSEMBLE THIS PRODUCT WILL INVALIDATE ANY CLAIM AND MAY DAMAGE THIS PRODUCT MAKING IT UNSAFE.

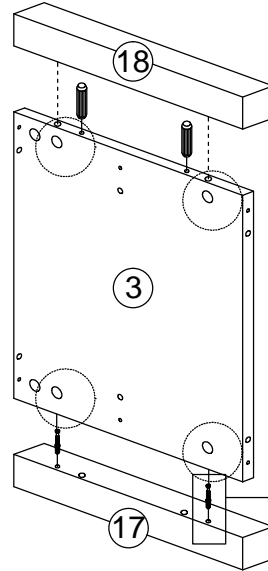
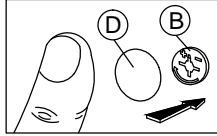
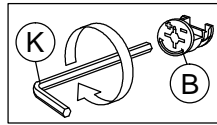
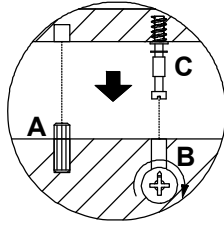
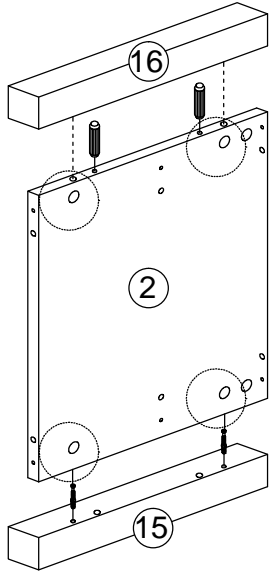


STEP 1

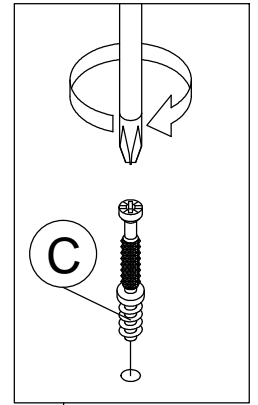
B		CAM NUT	8
C		CAM BOLT	8
D		CAM CAP	8
P		WOOD DOWEL M8 x 40MM	8
Q		FURNITURE GLUE (10G)	1



R VIEW

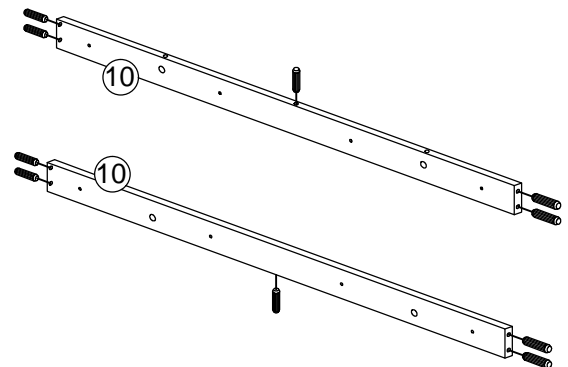
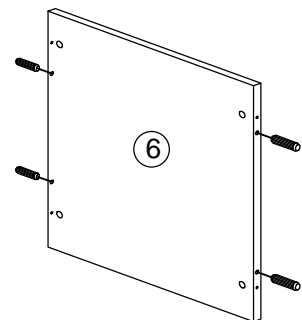
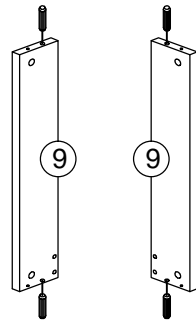
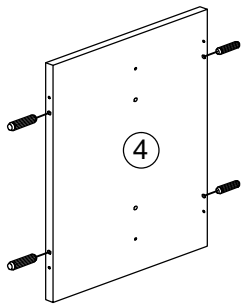
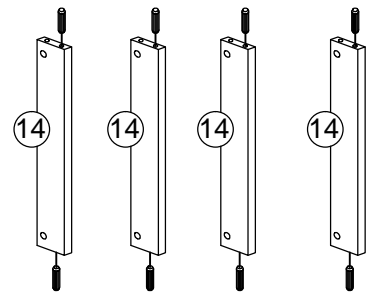
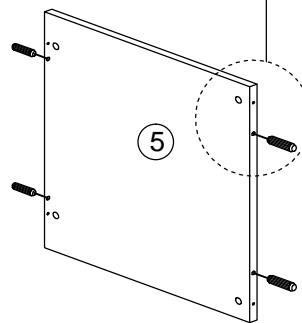
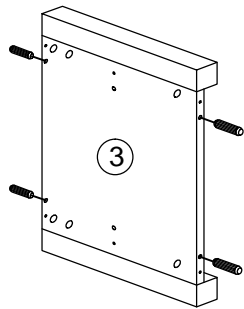
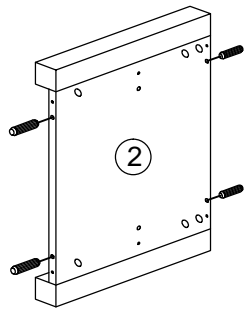
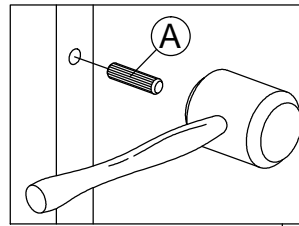


L VIEW



STEP 2


A		WOOD DOWEL M8 x 25MM	42
---	---	----------------------	----

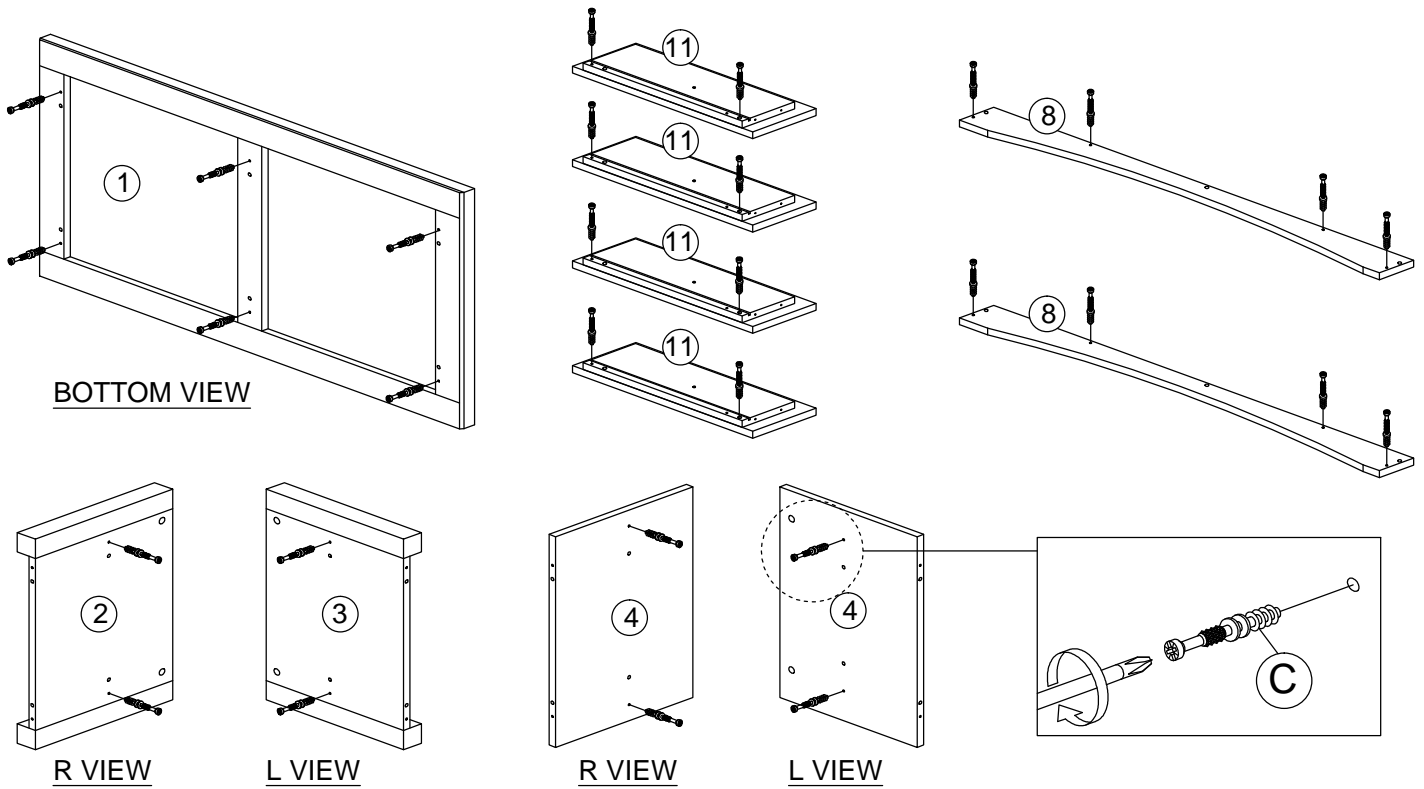


THE USE OF POWER TOOLS TO ASSEMBLE THIS PRODUCT WILL INVALIDATE ANY CLAIM AND MAY DAMAGE THIS PRODUCT MAKING IT UNSAFE.



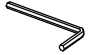


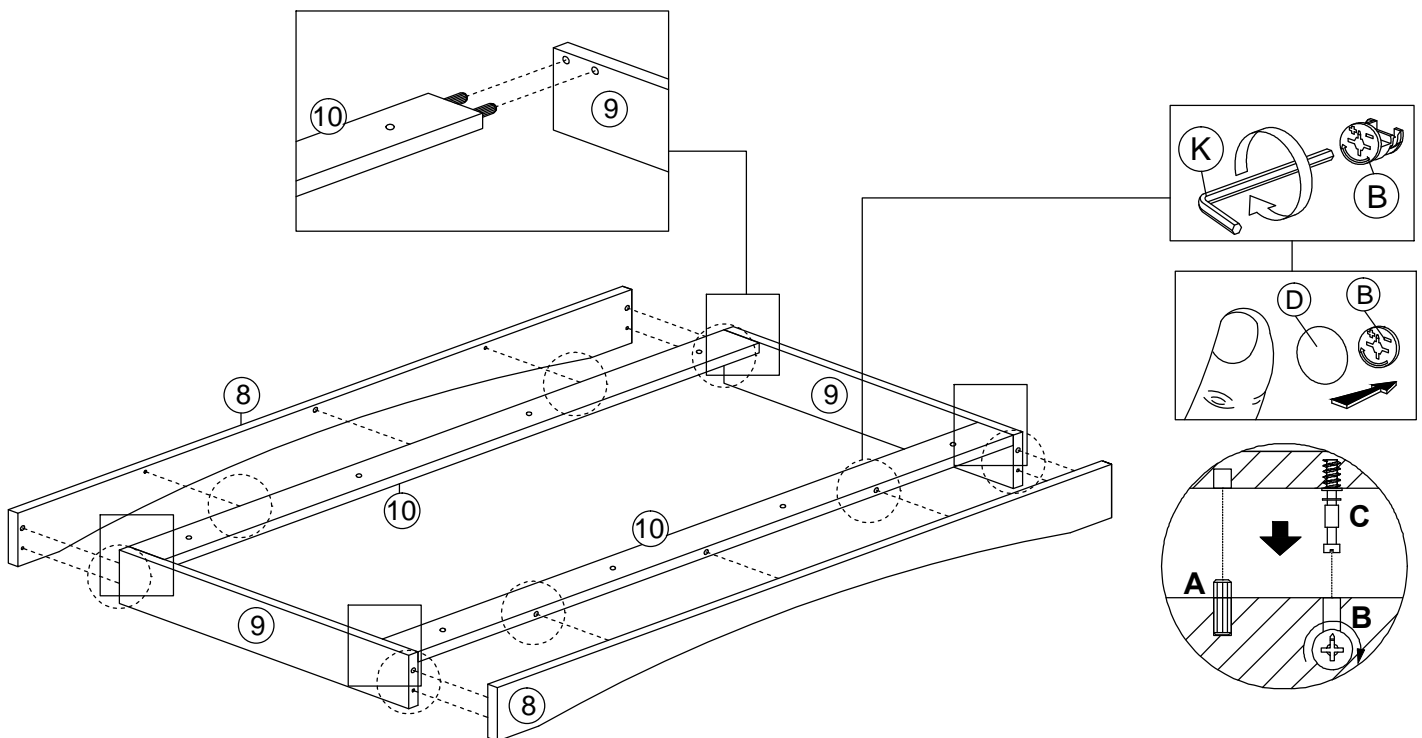
STEP 3

C		CAM BOLT	30
---	--	----------	----



STEP 4

B		CAM NUT	8
D		CAM CAP	8
K		ALLEN KEY M4	1

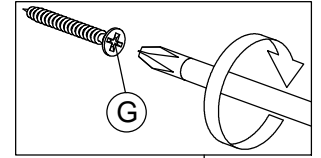
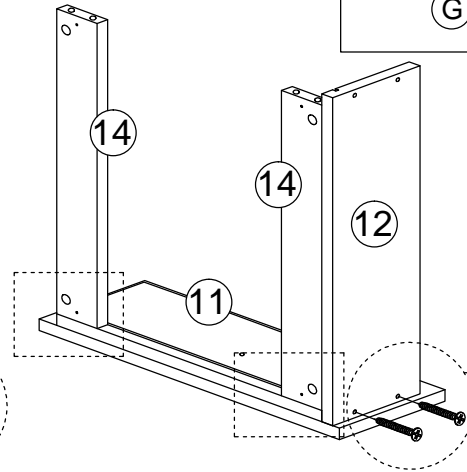
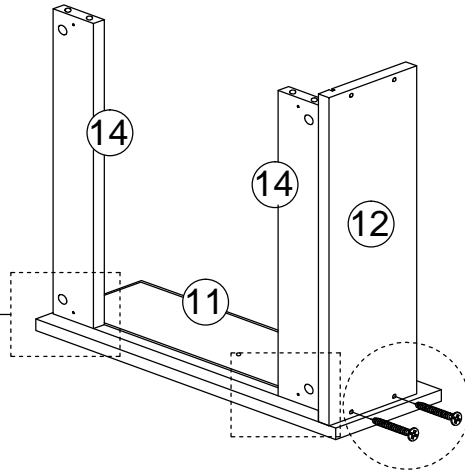
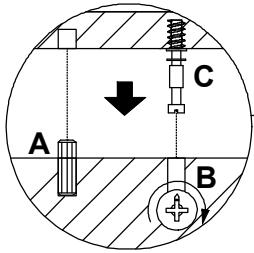
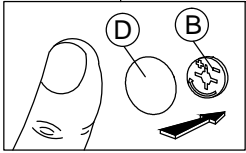
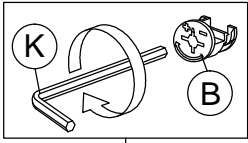


THE USE OF POWER TOOLS TO ASSEMBLE THIS PRODUCT WILL INVALIDATE ANY CLAIM AND MAY DAMAGE THIS PRODUCT MAKING IT UNSAFE.



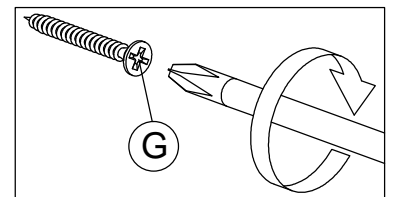
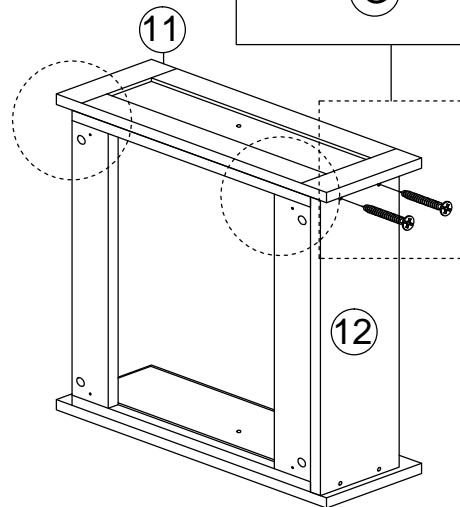
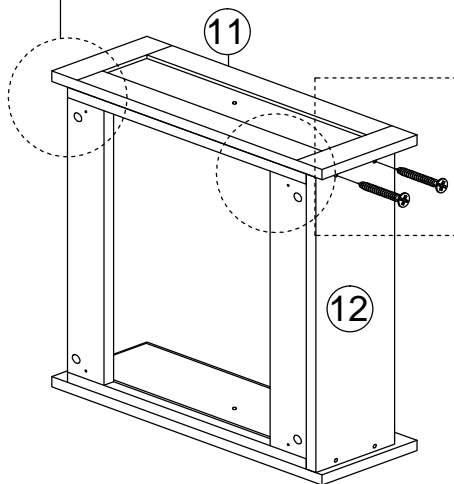
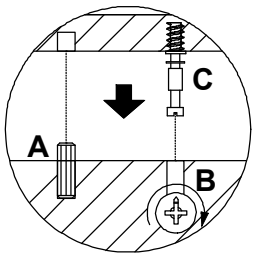
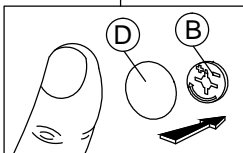
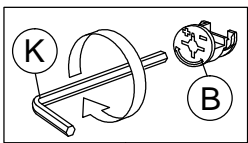
STEP 5

G		CB SCREW M4 x 38MM	4
B		CAM NUT	4
D		CAM CAP	4
K		ALLEN KEY M4	1



STEP 6


B		CAM NUT	4
D		CAM CAP	4
G		CB SCREW M4 x 38MM	4
K		ALLEN KEY M4	1

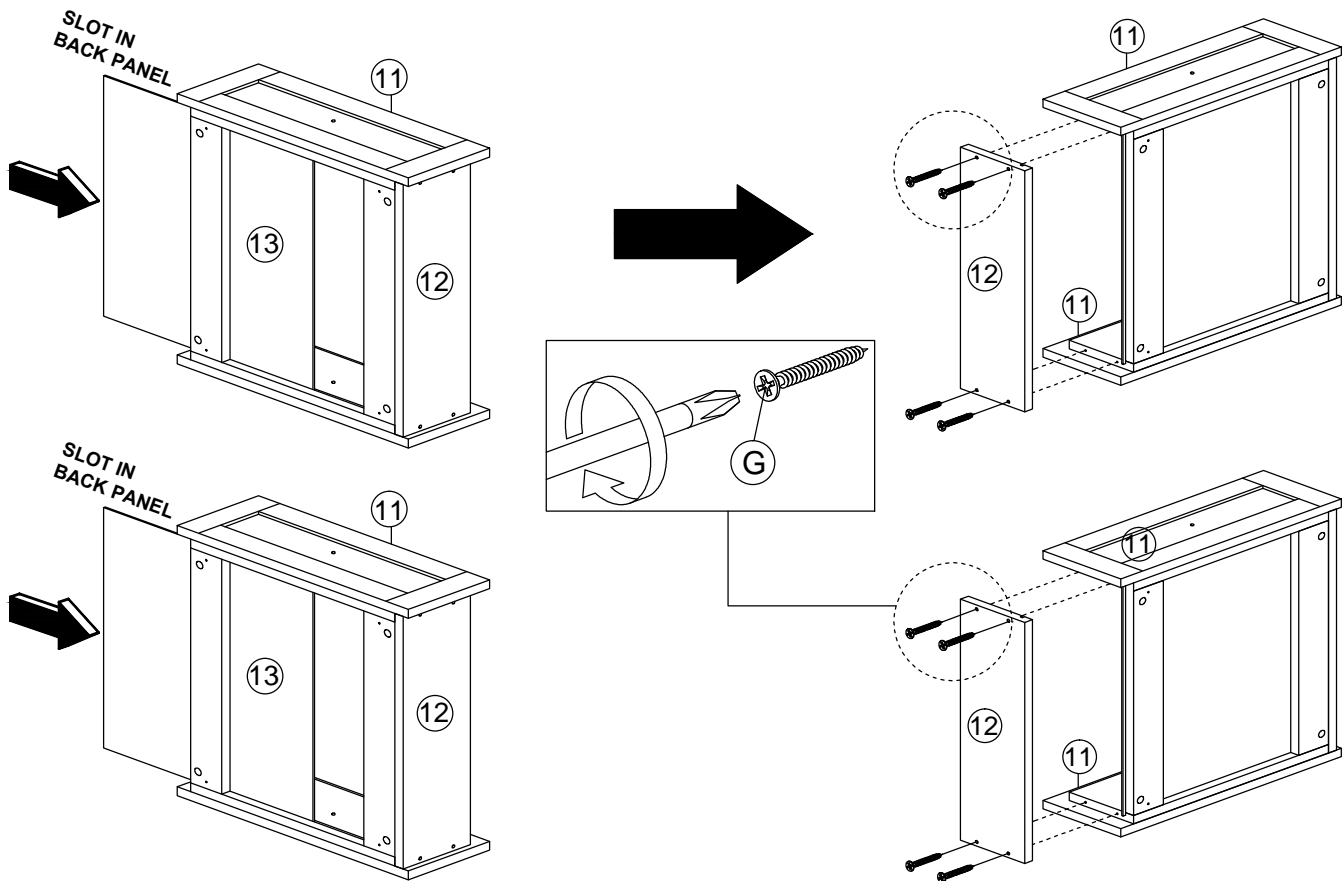


THE USE OF POWER TOOLS TO ASSEMBLE THIS PRODUCT WILL INVALIDATE ANY CLAIM AND MAY DAMAGE THIS PRODUCT MAKING IT UNSAFE.

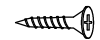



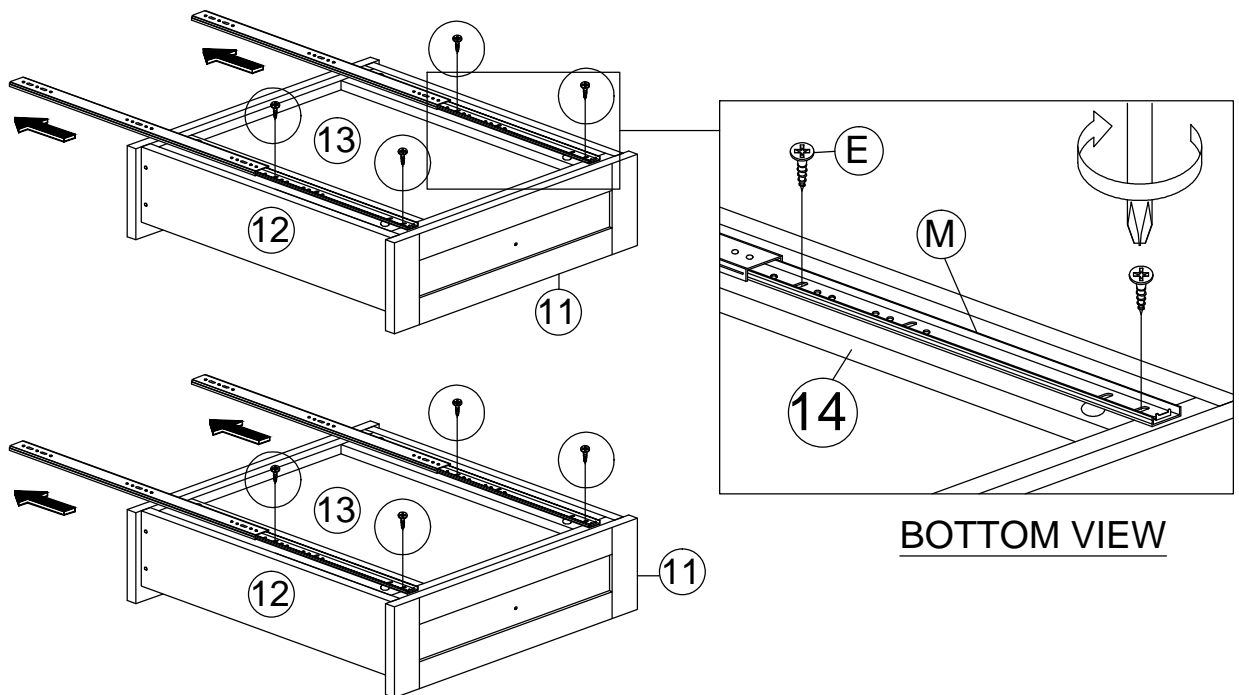
STEP 7

G	 CB SCREW M4 x 38MM	8
---	---	---



STEP 8

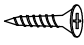
E	 CB SCREW M3.5 x 16MM	8
M	 2 WAY SLIDE 18"	4

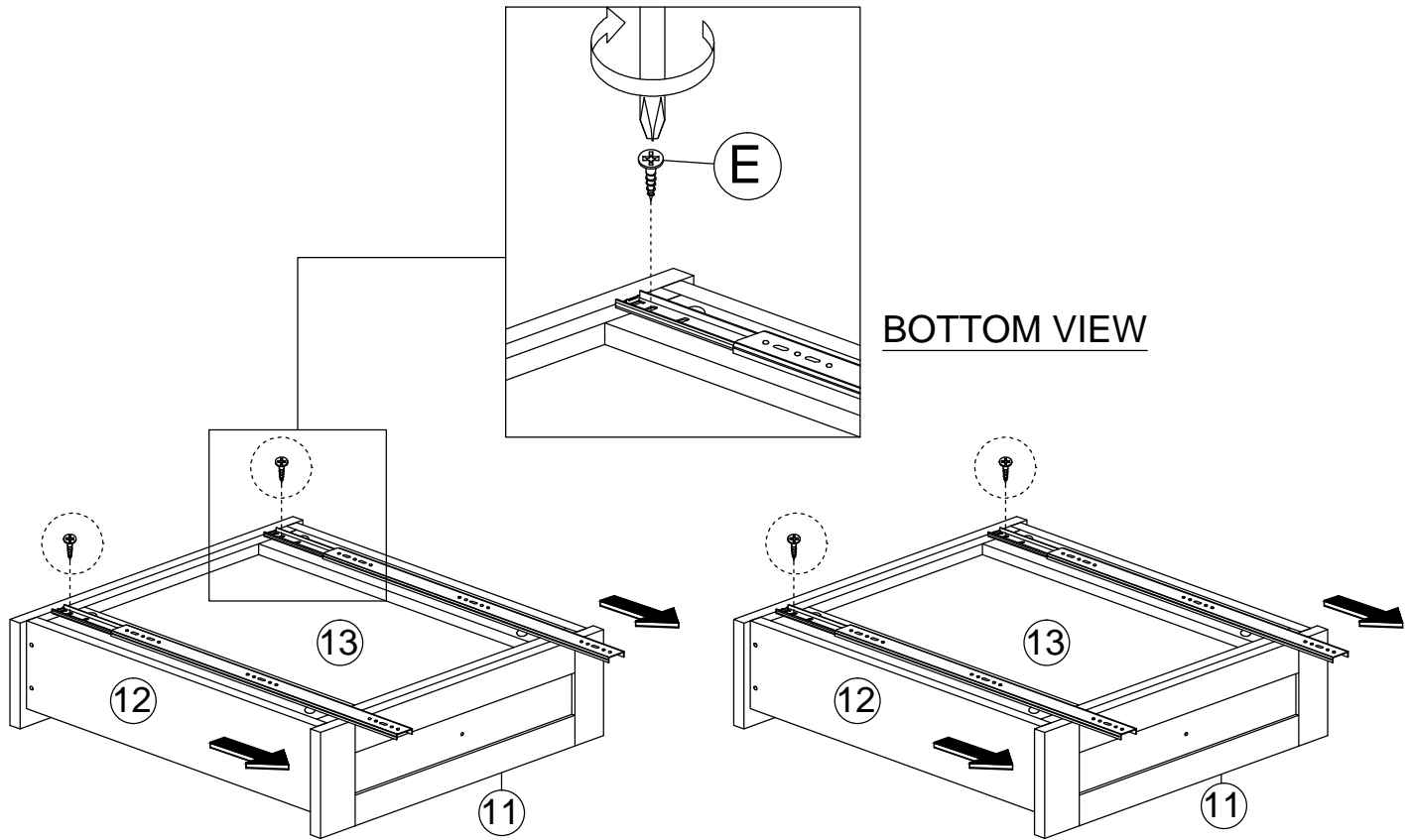


THE USE OF POWER TOOLS TO ASSEMBLE THIS PRODUCT WILL INVALIDATE ANY CLAIM AND MAY DAMAGE THIS PRODUCT MAKING IT UNSAFE.





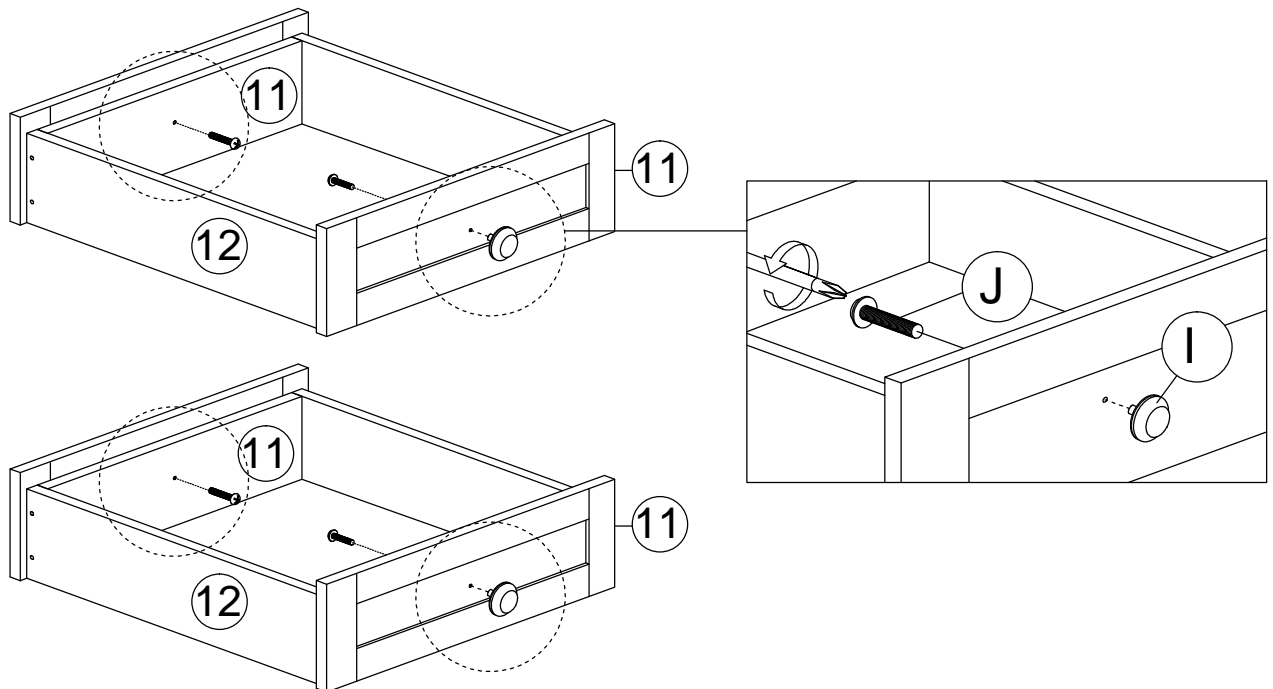
STEP 9

E		CB SCREW M3.5 x 16MM	4
---	--	----------------------	---



STEP 10



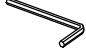
I		HANDLE 3A	4
J		HANDLE SCREW M4 x 32MM	4

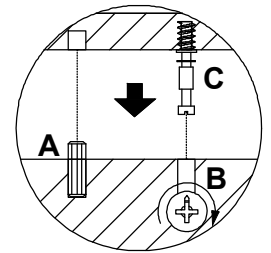
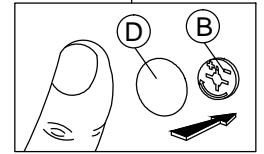
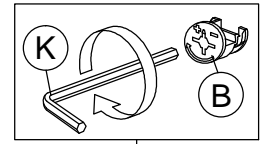
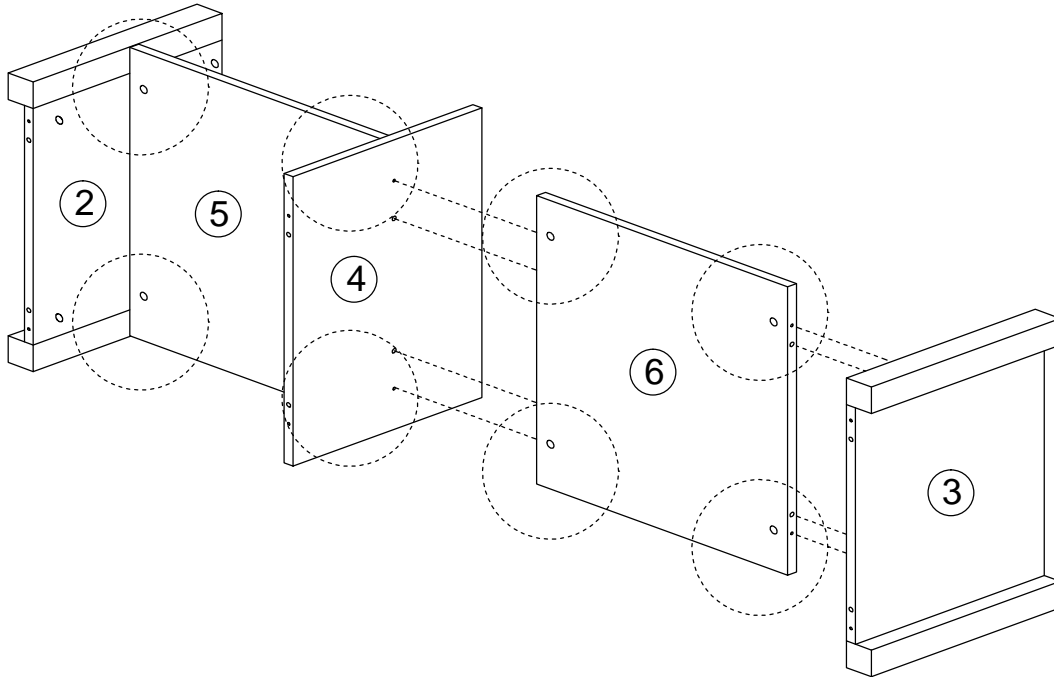


THE USE OF POWER TOOLS TO ASSEMBLE THIS PRODUCT WILL INVALIDATE ANY CLAIM AND MAY DAMAGE THIS PRODUCT MAKING IT UNSAFE.



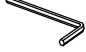


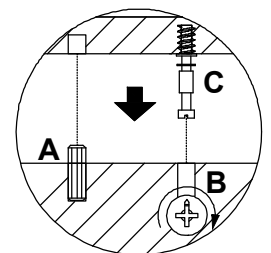
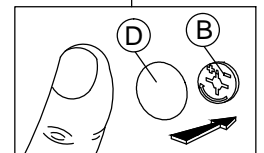
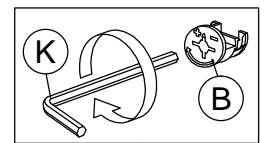
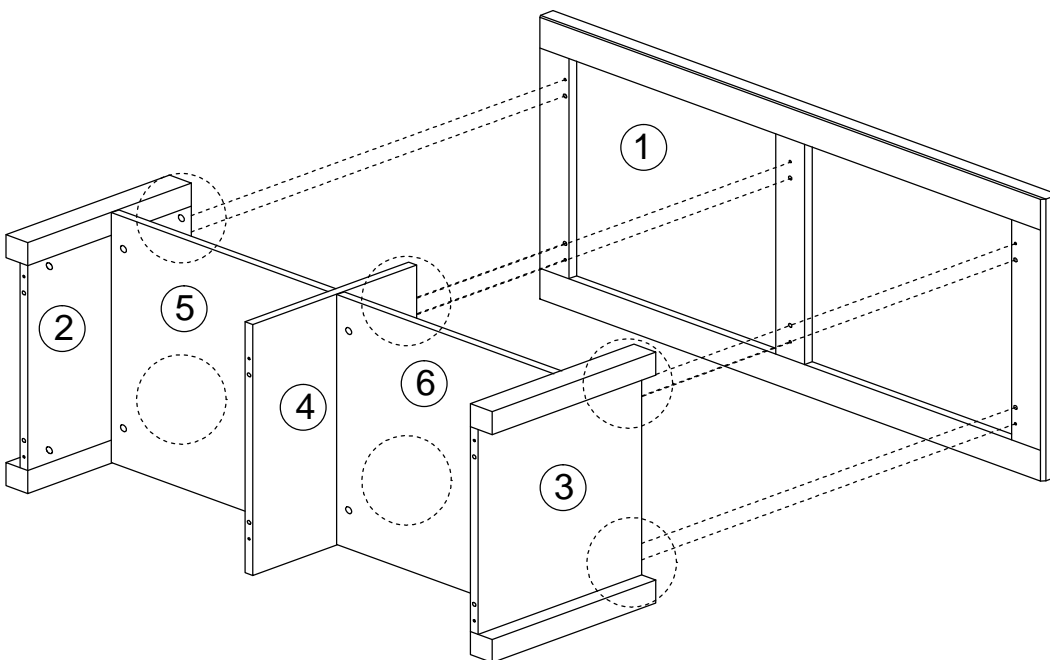
STEP 11

B		CAM NUT	8
D		CAM CAP	8
K		ALLEN KEY M4	1



STEP 12

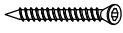
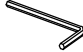
B		CAM NUT	6
D		CAM CAP	6
K		ALLEN KEY M4	1

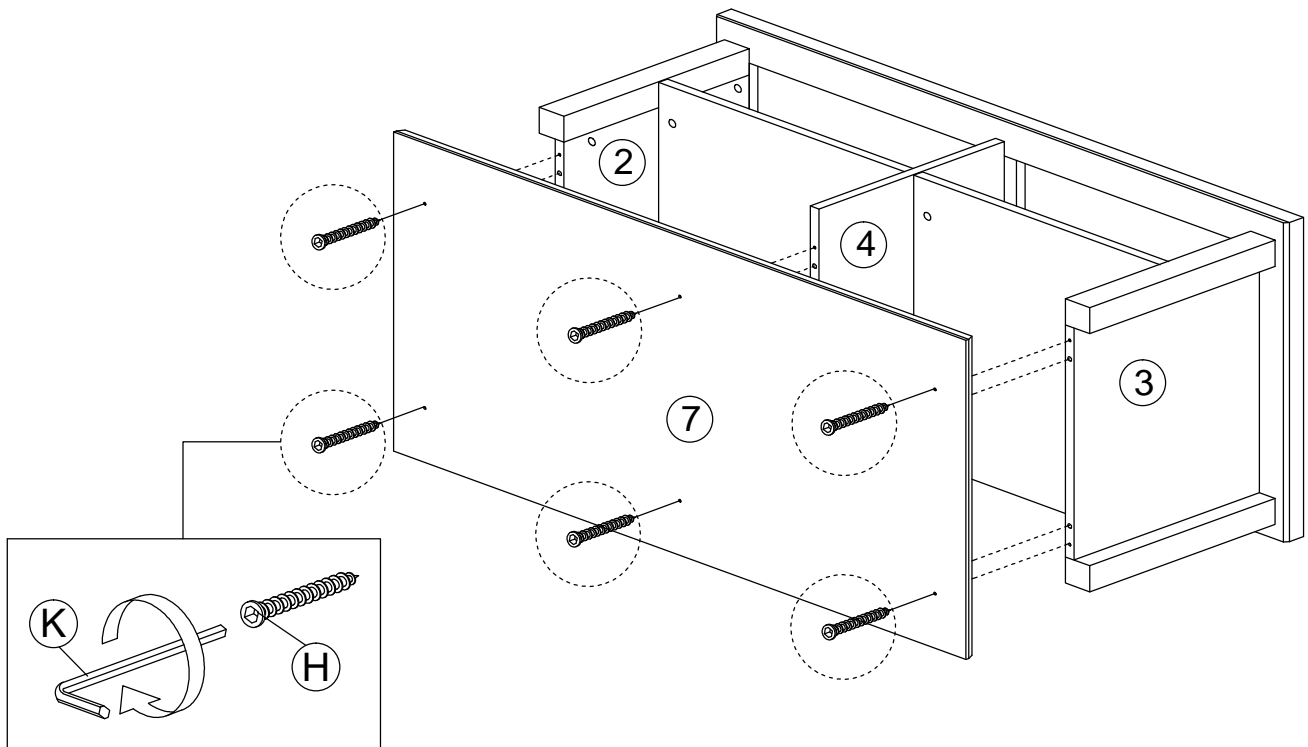


THE USE OF POWER TOOLS TO ASSEMBLE THIS PRODUCT WILL INVALIDATE ANY CLAIM AND MAY DAMAGE THIS PRODUCT MAKING IT UNSAFE.

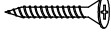


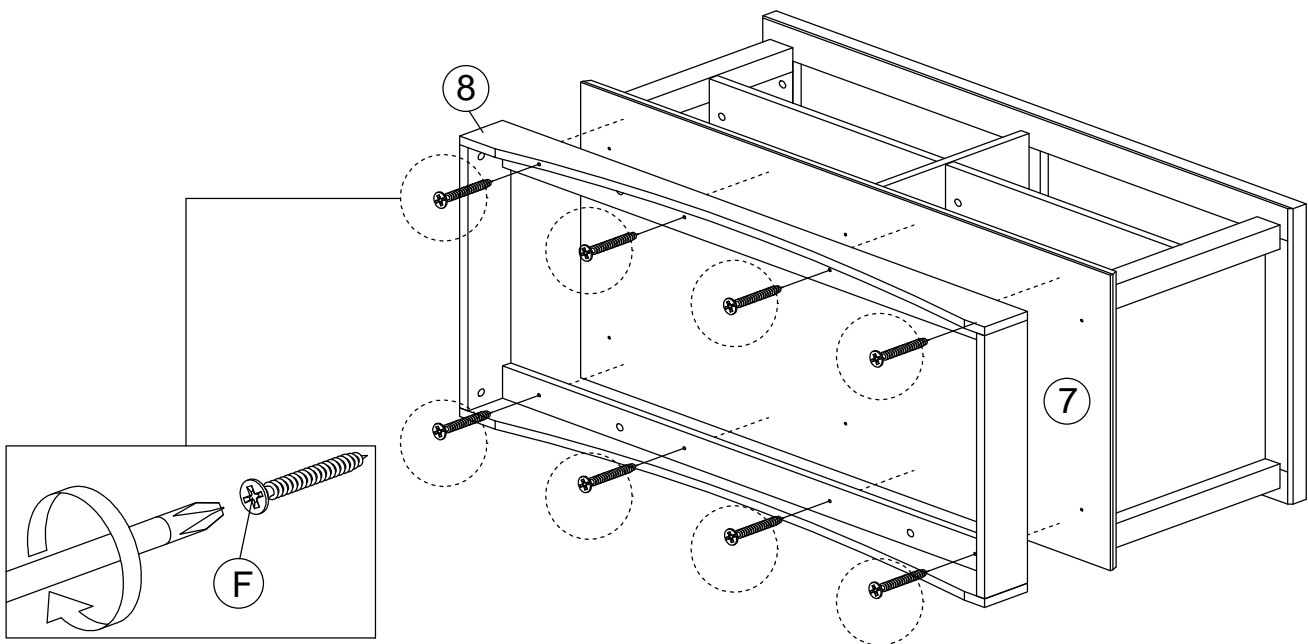
STEP 13

H	 CSK CAP WOOD M6 x 50MM	6
K	 ALLEN KEY M4	1



STEP 14

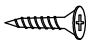

F	 CB SCREW M4 x 28MM	8
---	--	---

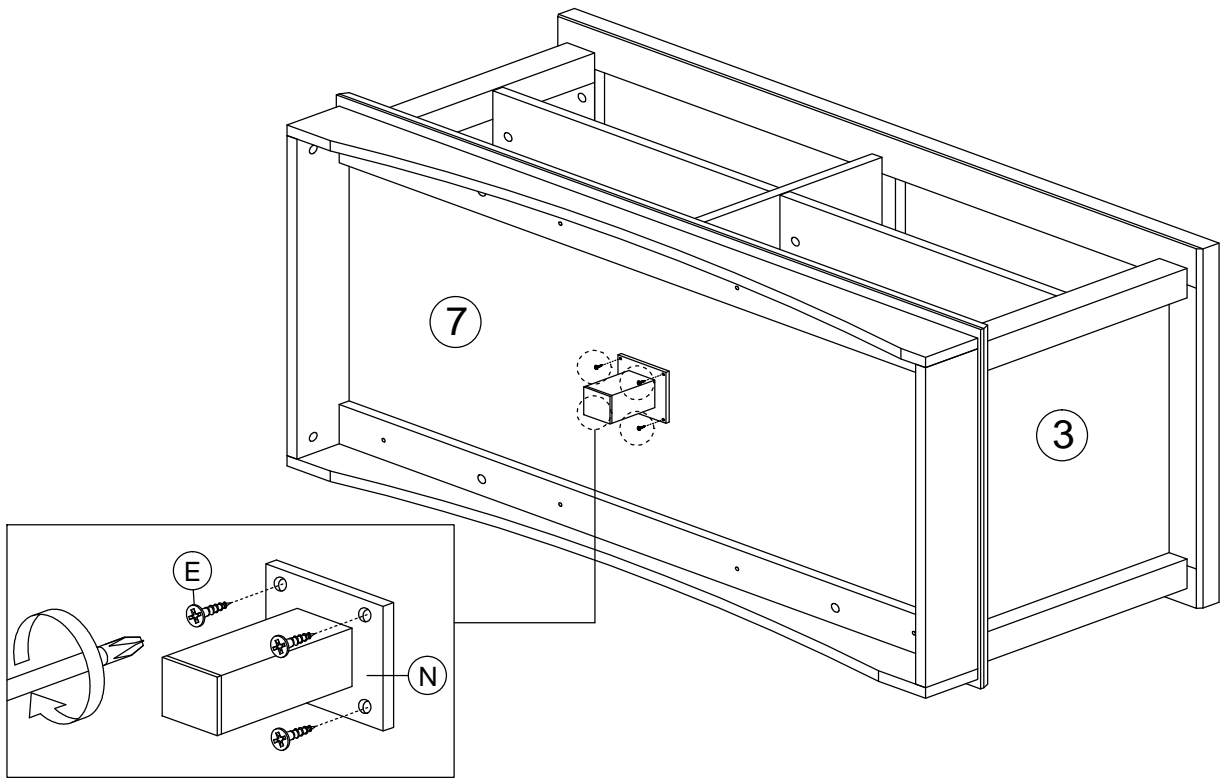


THE USE OF POWER TOOLS TO ASSEMBLE THIS PRODUCT WILL INVALIDATE ANY CLAIM AND MAY DAMAGE THIS PRODUCT MAKING IT UNSAFE.



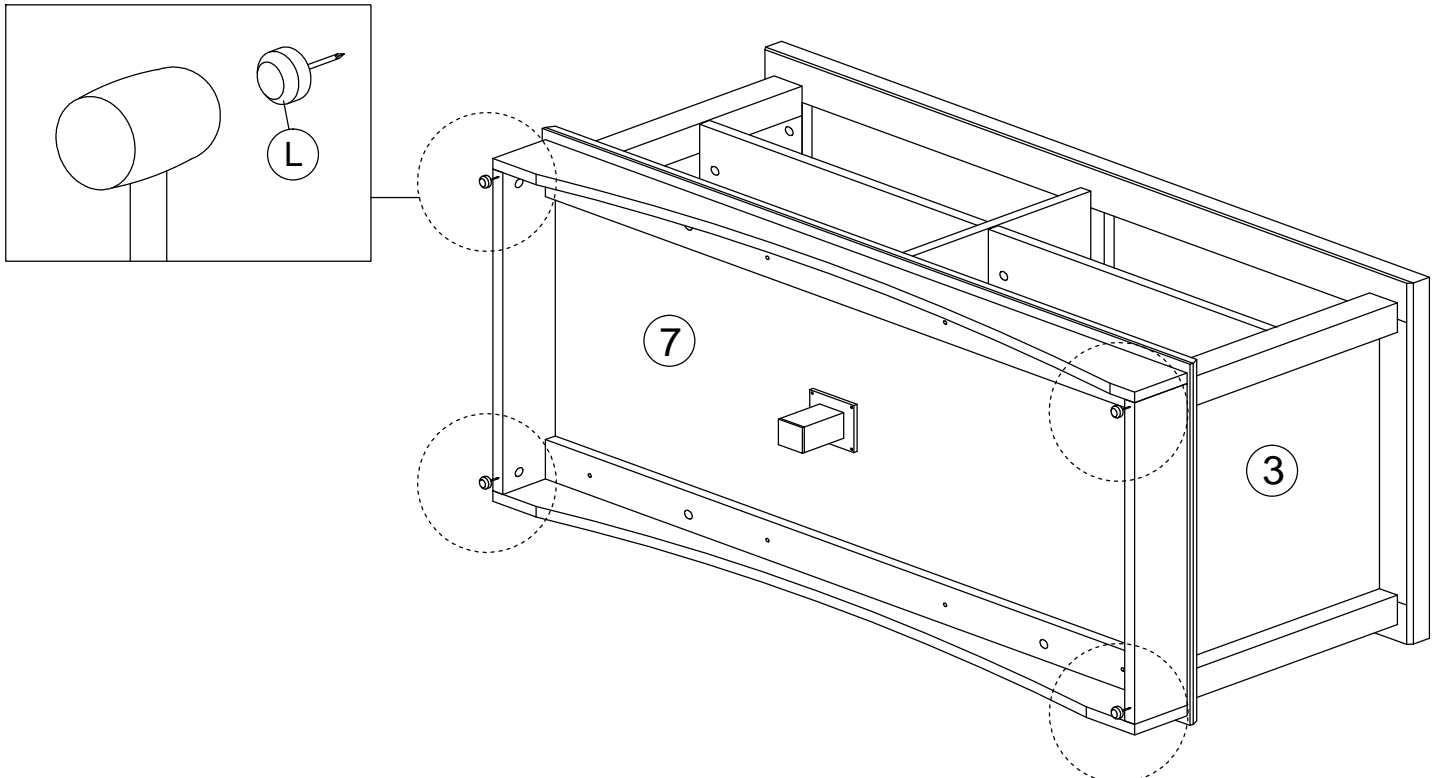
STEP 15

E		CB SCREW M3.5 x 16MM	4
N		METAL CENTER LEG - 85MM	1



STEP 16

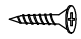

L		PVC NAIL WITH PIN 5/8	4
---	---	-----------------------	---

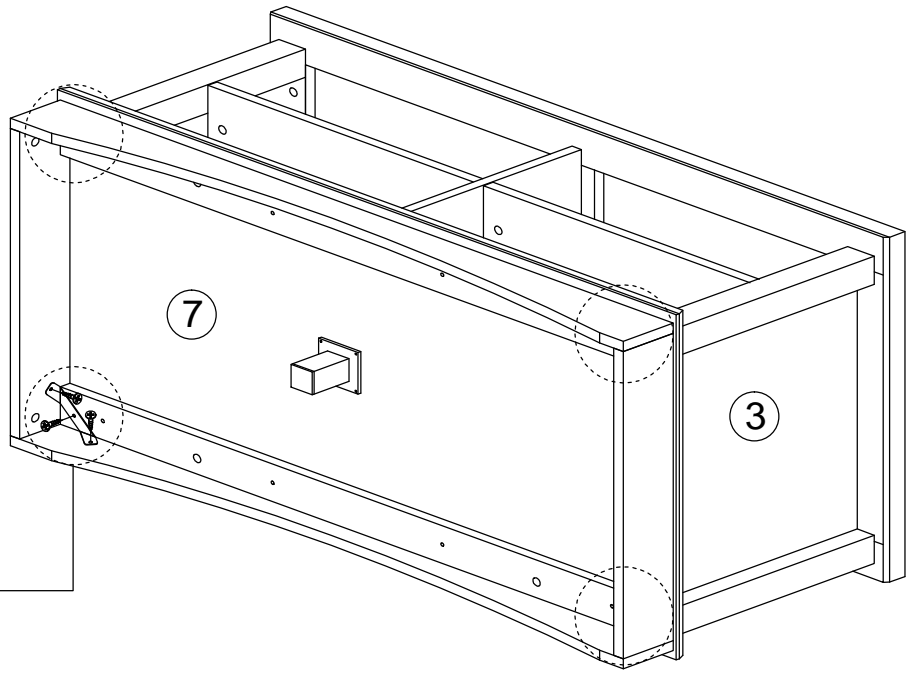
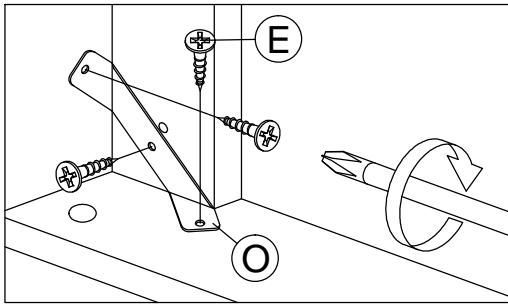


THE USE OF POWER TOOLS TO ASSEMBLE THIS PRODUCT WILL INVALIDATE ANY CLAIM AND MAY DAMAGE THIS PRODUCT MAKING IT UNSAFE.

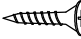


STEP 17

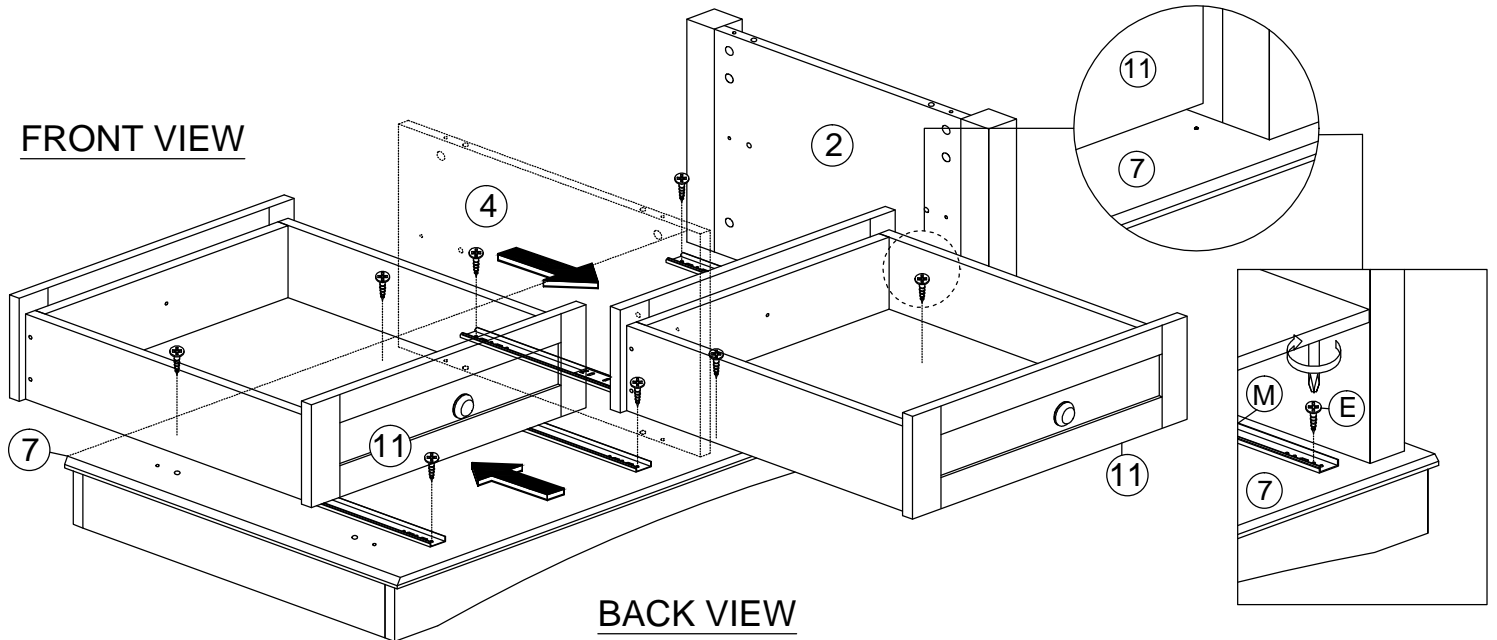
E		CB SCREW M3.5 x 16MM	12
O		BAT BRACKET-V	4



STEP 18

E		CB SCREW M3.5 x 16MM	8
---	---	----------------------	---

FRONT VIEW



BACK VIEW

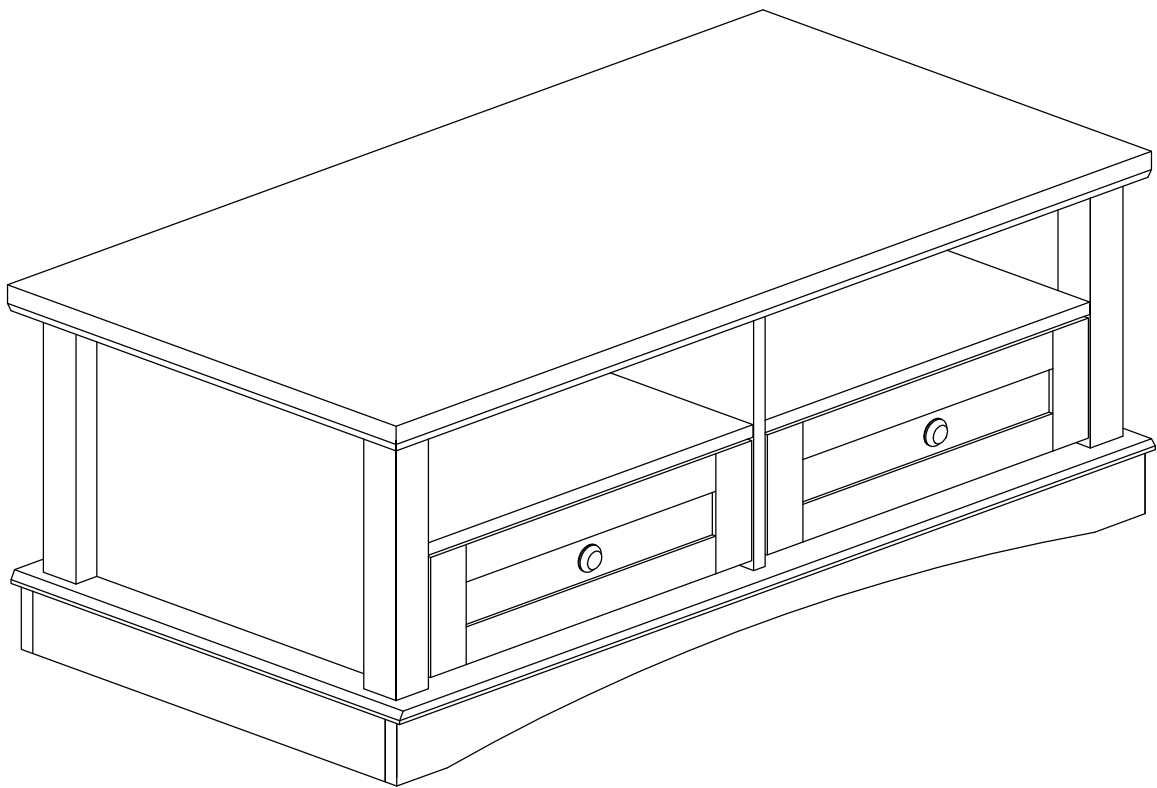


ASSEMBLE WITH SMALL SCREWDRIVER TO TIGHT IT.

THE USE OF POWER TOOLS TO ASSEMBLE THIS PRODUCT WILL INVALIDATE ANY CLAIM AND MAY DAMAGE THIS PRODUCT MAKING IT UNSAFE.



COMPLETED



THE USE OF POWER TOOLS TO ASSEMBLE THIS PRODUCT WILL INVALIDATE ANY CLAIM AND MAY DAMAGE THIS PRODUCT MAKING IT UNSAFE.

