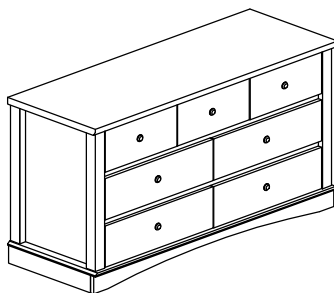


TIMBER ART DESIGN UK

BR 990145

ASSEMBLY INSTRUCTIONS

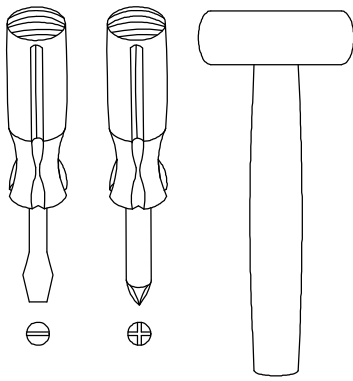


IMPORTANT

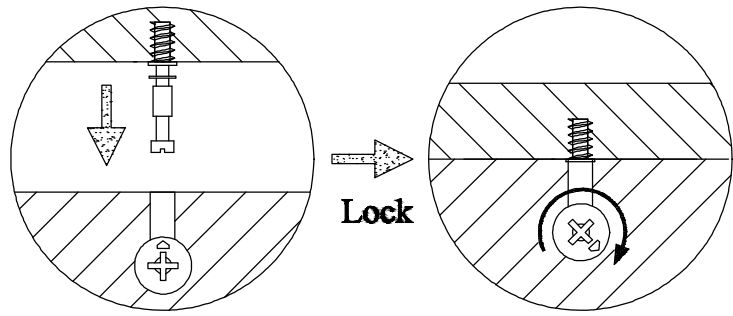
PLEASE READ BEFORE YOU CONTINUE FURTHER

WARNING AND INSTRUCTIONS

- PLEASE KEEP THE ORIGINAL PACKAGING UNTIL THE ITEM IS FULLY ASSEMBLED AND IN PLACE. IN THE UNLIKELY EVENT THAT YOU NEED TO RETURN YOUR PRODUCT, IT MUST BE RETURNED IN ITS ORIGINAL PACKAGING TO AVOID FURTHER DAMAGE. FAILURE TO COMPLY TO THESE PROCEDURES, NO RETURN'S WILL BE ACCEPTED.
- IMPORTANT: RETAIN THESE INSTRUCTIONS FOR FUTURE REFERENCE.
- DUE TO THE SIZE OF THIS PRODUCT WE RECOMMEND THAT IT IS ASSEMBLED IN THE ROOM INTENDED FOR USE.
- WHEN YOU ARE READY TO START, MAKE SURE THAT YOU HAVE THE RIGHT TOOLS, PLENTY OF SPACE AND A CLEAN, DRY AREA FOR ASSEMBLY.
- UNWRAP ALL PACKAGING MATERIALS AND PLACE THE COMPONENTS ON TOP OF THE CARTON BOX OR ON A CLEAN FLOOR TO PREVENT IT FROM SCRATCHING.
- CHECK THE PACK AND MAKE SURE YOU HAVE ALL THE PARTS LISTED.
- ENSURE THAT THIS PRODUCT IS FULLY ASSEMBLED AS ILLUSTRATED BEFORE USE.
- TOOLS NOT INCLUDED.
- CHECK ALL SCREWS OR BOLTS ARE TIGHTENED AND INSPECT REGULARLY.
- THIS PRODUCT SHOULD ONLY BE USED ON FIRM LEVEL GROUND.
- KEEP SMALL PART OUT OF REACH OF CHILDREN.
- MAKE SURE THE LEGS REMAIN IN CONTACT WITH THE GROUND.
- DO NOT USE POWER TOOLS TO CONSTRUCT THIS PRODUCT.
- DO NOT TIGHTENED SCREWS UNTIL FULLY ASSEMBLED.
- DO NOT OVER TIGHTENED SCREWS OR BOLTS.
- DO NOT USE THIS PRODUCT IF PARTS ARE MISSING, DAMAGE OR WORN.
- DO NOT SIT AND STAND ON THE PRODUCT.
- TO CLEAN WIPE WITH A SPONGE AND WARM SOAPY WATER. DO NOT USE SOLVENT BASED CLEANERS OR DETERGENTS AS THEY CAN BLEACH OR DAMAGE THE PRODUCT.
- NEVER USE SCOURERS, ABRASIVES OR CHEMICAL CLEANERS.

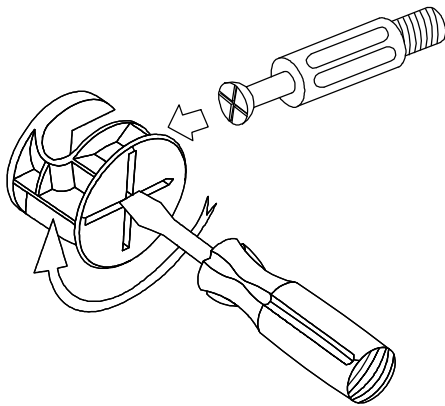


(Tools not provided)



Use a flat blade screwdriver to tighten the cam nuts. A quarter turn clockwise is all that is needed.

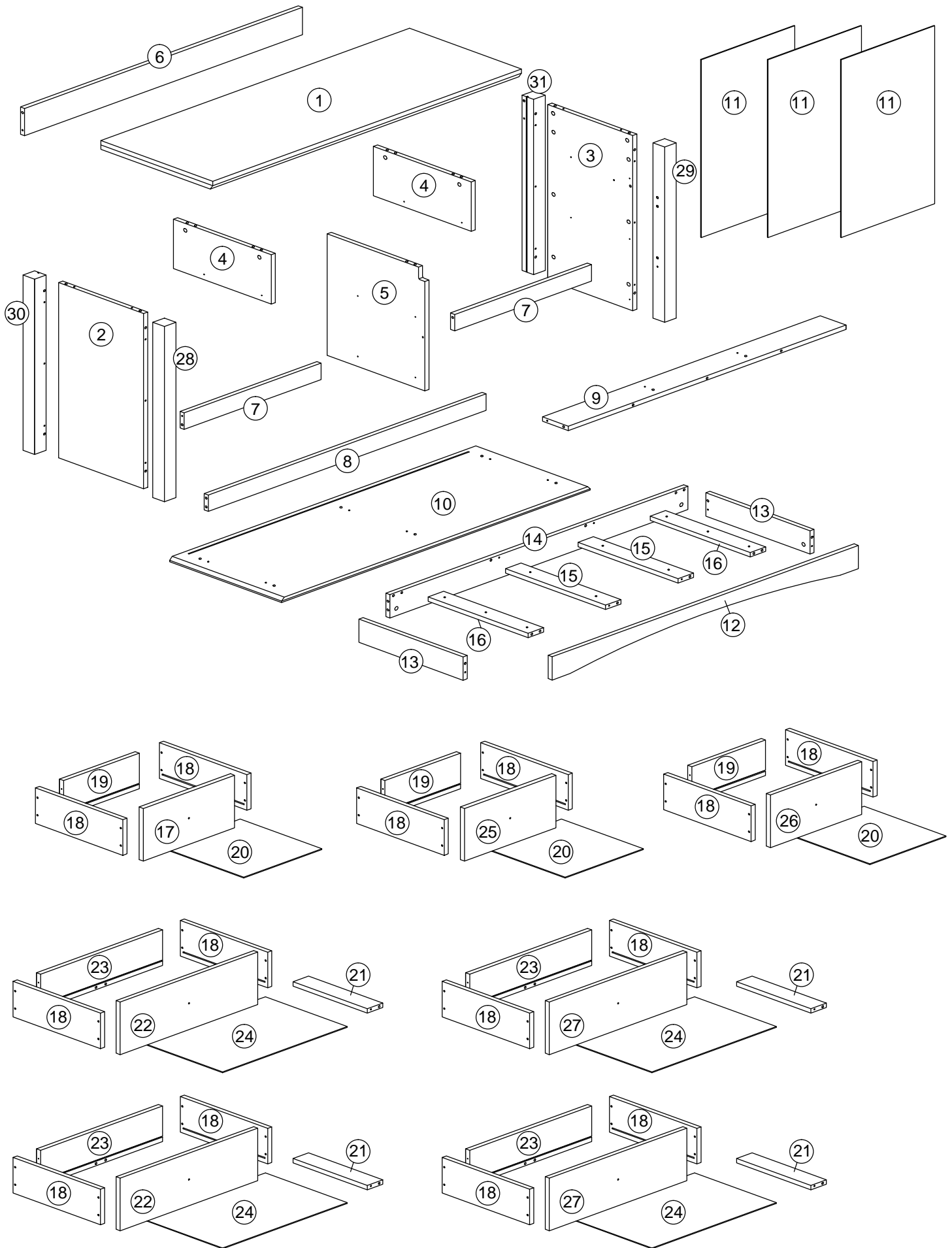
This is how a cam nut works.....



The head of the cam bolt goes into the open mouth of the cam nut. You then turn the cam nut so it tightens over the bolt.

TWO PERSONS REQUIRED TO ASSEMBLE THIS PRODUCT

- 1. Please check that you have all the parts listed before you start assembling. If you do find that something is missing, do not continue assembly. Please contact your supplier immediately.**
- 2. Lay out all of the components on a soft surface as if you were preparing to do a jigsaw puzzle.**
- 3. Separate and identify each component from the hardware pack and rest each one in its proper location before fastening.**







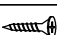



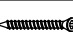



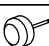








THE USE OF POWER TOOLS TO ASSEMBLE THIS PRODUCT WILL INVALIDATE ANY CLAIM AND MAY DAMAGE THIS PRODUCT MAKING IT UNSAFE.



PARTS LIST

NO.	PARTS					QTY
1	1200	X	440	X	30	1 PC
2	640	X	418	X	45	1 PC
3	640	X	418	X	45	1 PC
4	372	X	180	X	15	2 PCS
5	444	X	372	X	15	1 PC
6	1068	X	96	X	15	1 PC
7	526	X	60	X	15	2 PCS
8	1068	X	60	X	15	1 PC
9	1068	X	76	X	15	1 PC
10	1200	X	435	X	15	1 PC
11	650	X	358	X	2.5	3 PCS
12	1188	X	85	X	15	1 PC
13	410	X	85	X	15	2 PCS
14	1156	X	85	X	15	1 PC
15	394	X	60	X	15	1 PC
16	394	X	60	X	15	2 PCS
17	351	X	193	X	15	1 PC
18	340	X	130	X	15	14 PCS
19	288	X	130	X	15	3 PCS
20	318	X	298	X	2.5	3 PCS
21	308	X	60	X	15	4 PCS
22	529	X	193	X	15	2 PCS
23	469	X	130	X	15	4 PCS
24	478	X	318	X	2.5	4 PCS
25	351	X	193	X	15	1 PC
26	351	X	193	X	15	1 PC
27	529	X	193	X	15	2 PCS
28	640	X	45	X	45	1 PC
29	640	X	45	X	45	1 PC
30	640	X	45	X	45	1 PC
31	640	X	45	X	45	1 PC

HARDWARE LIST

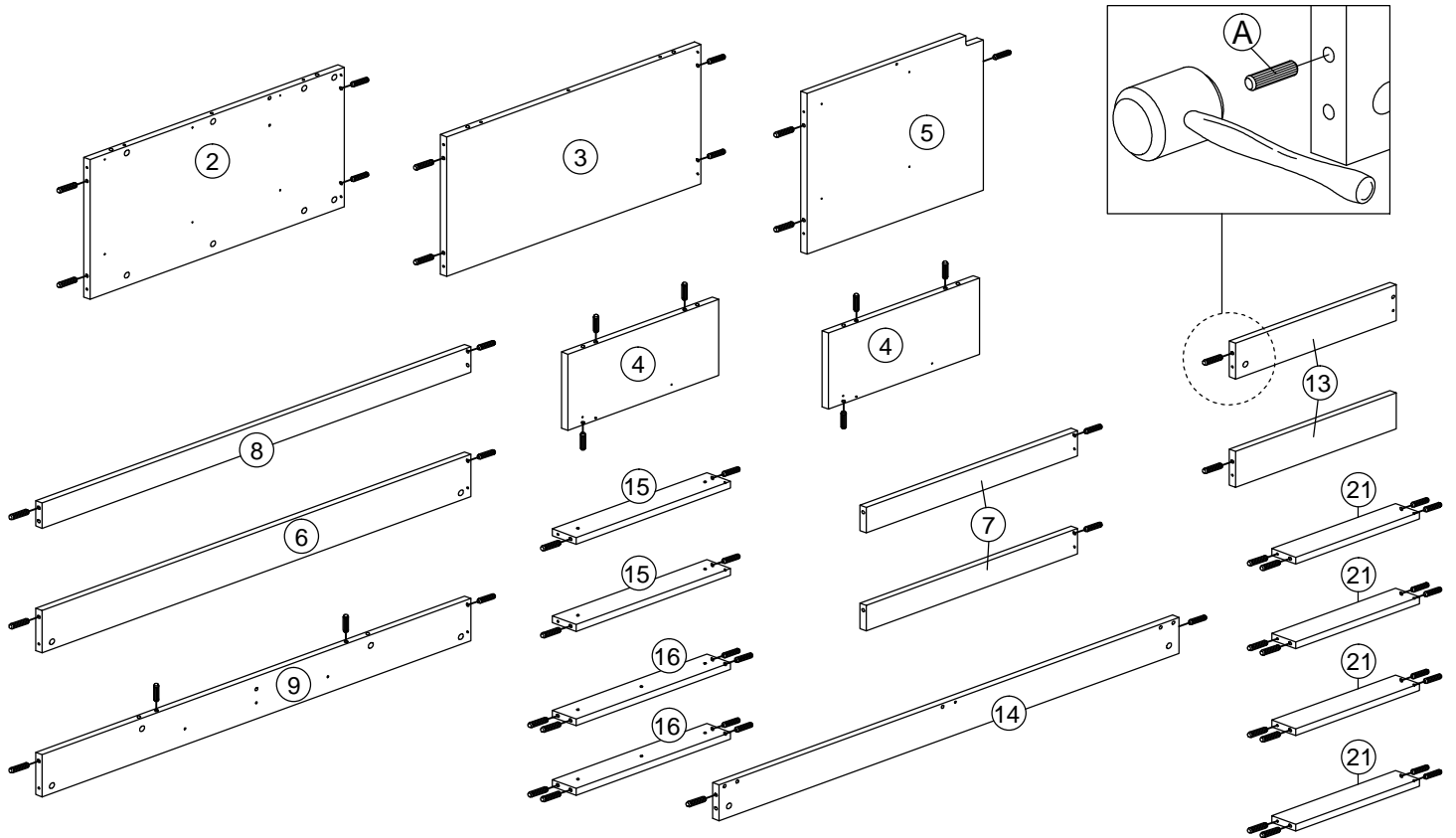
NO.	DESCRIPTION	QTY
A	 WOOD DOWEL M8 x 25MM	59
B	 CAM NUT	40
C	 CAM BOLT	40
D	 CAM CAP	40
E	 CB SCREW M3.5 x 16MM	66
F	 CB SCREW M4 x 28MM	10
G	 PVC CORNER L BRACKET	4
H	 CB SCREW M4 x 38MM	56
I	 CSK CAP WOOD M6 x 50MM	9
J	 HANDLE 3A	7
K	 HANDLE SCREW M4 x 35MM	7
L	 ALLEY KEY M4	1
M	 PVC NAIL WITH PIN 5/8	5
N	 PVH 3MM - 639MM	2
O	 DRAWER SLIDE 14" L R	14
P	 DRAWER SLIDE 14" L R	14
Q	 METAL CENTER LEG - 85MM	1
R	 BAT BRACKET-V	4
S	 EURO SCREW 6 X 9	28
T	 WOOD DOWEL M8 X 40MM	8
U	 FURNITURE GLUE (10G)	1






THE USE OF POWER TOOLS TO ASSEMBLE THIS PRODUCT WILL INVALIDATE ANY CLAIM AND MAY DAMAGE THIS PRODUCT MAKING IT UNSAFE.

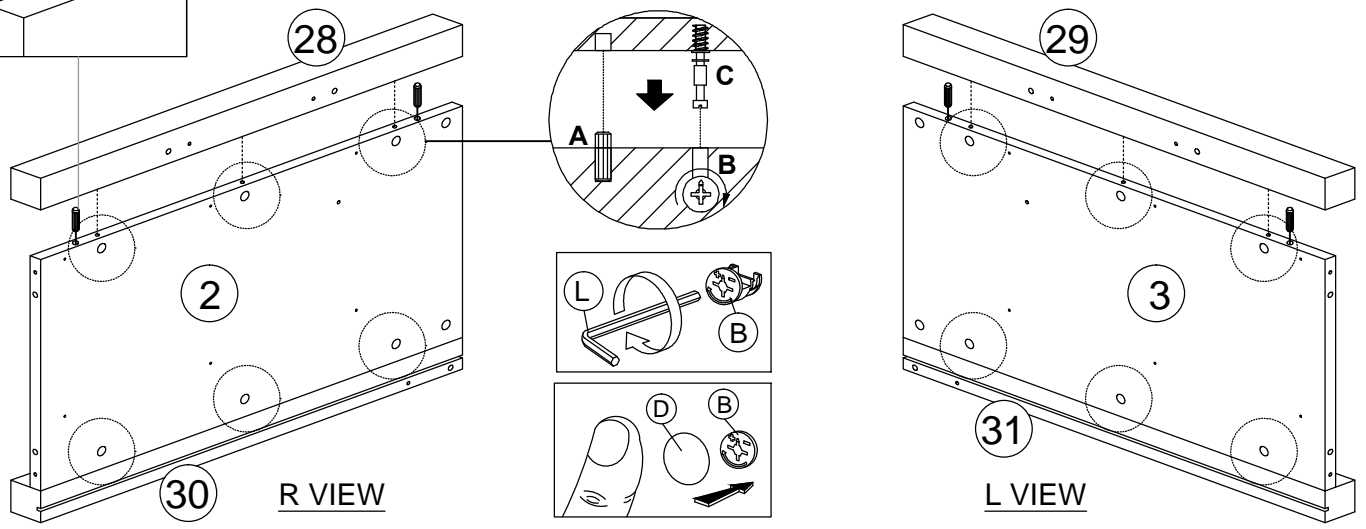
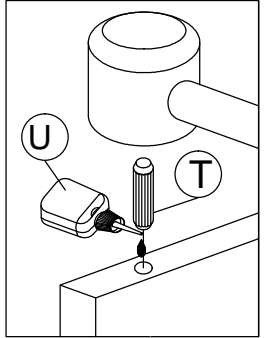


STEP 1

A	 WOOD DOWEL M8 x 25MM	59
---	---	----




B	 CAM NUT	12
C	 CAM BOLT	12
D	 CAM CAP	12
T	 WOOD DOWEL M8 x 40MM	8
U	 FURNITURE GLUE (10G)	1

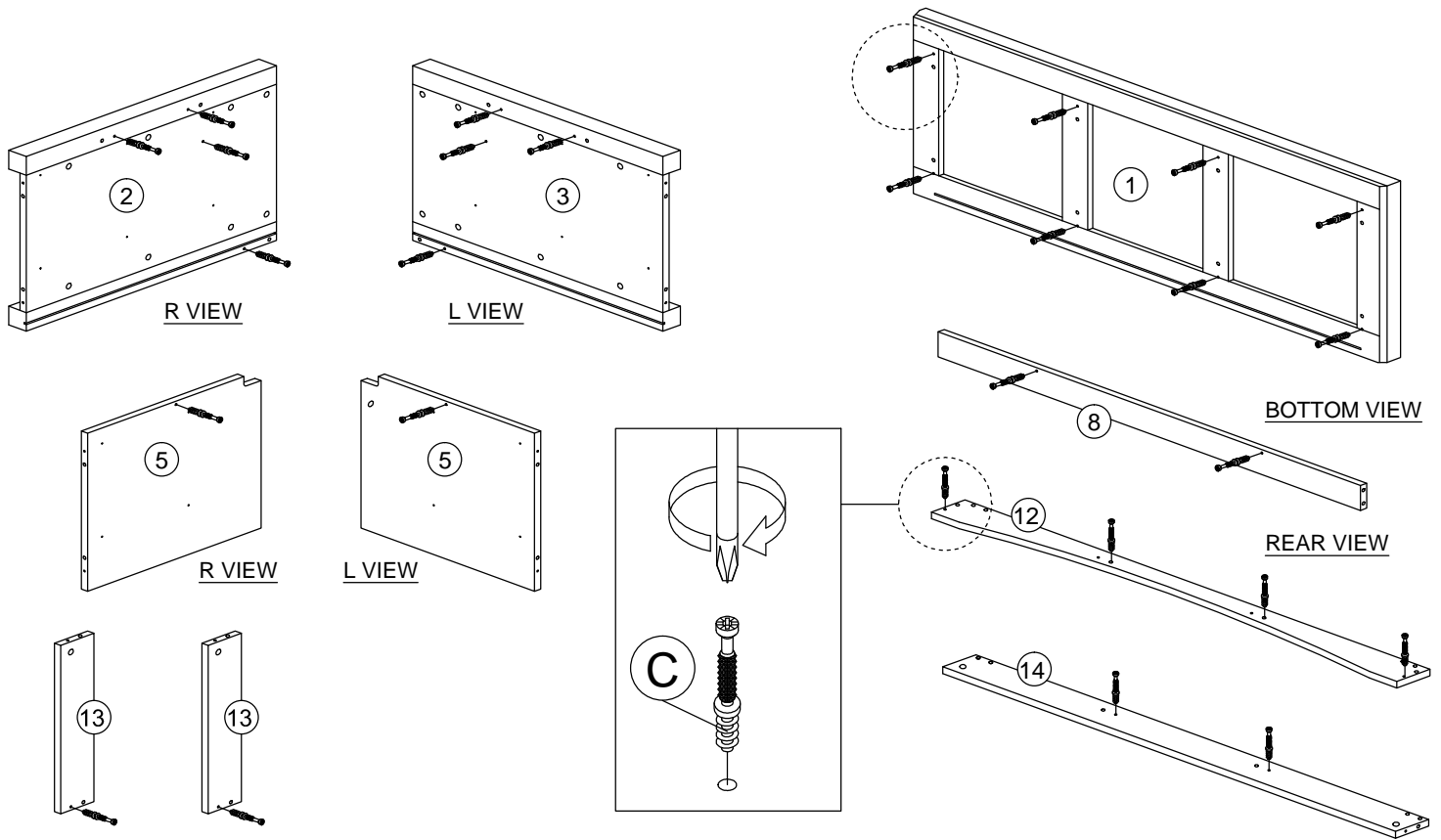


THE USE OF POWER TOOLS TO ASSEMBLE THIS PRODUCT WILL INVALIDATE ANY CLAIM AND MAY DAMAGE THIS PRODUCT MAKING IT UNSAFE.





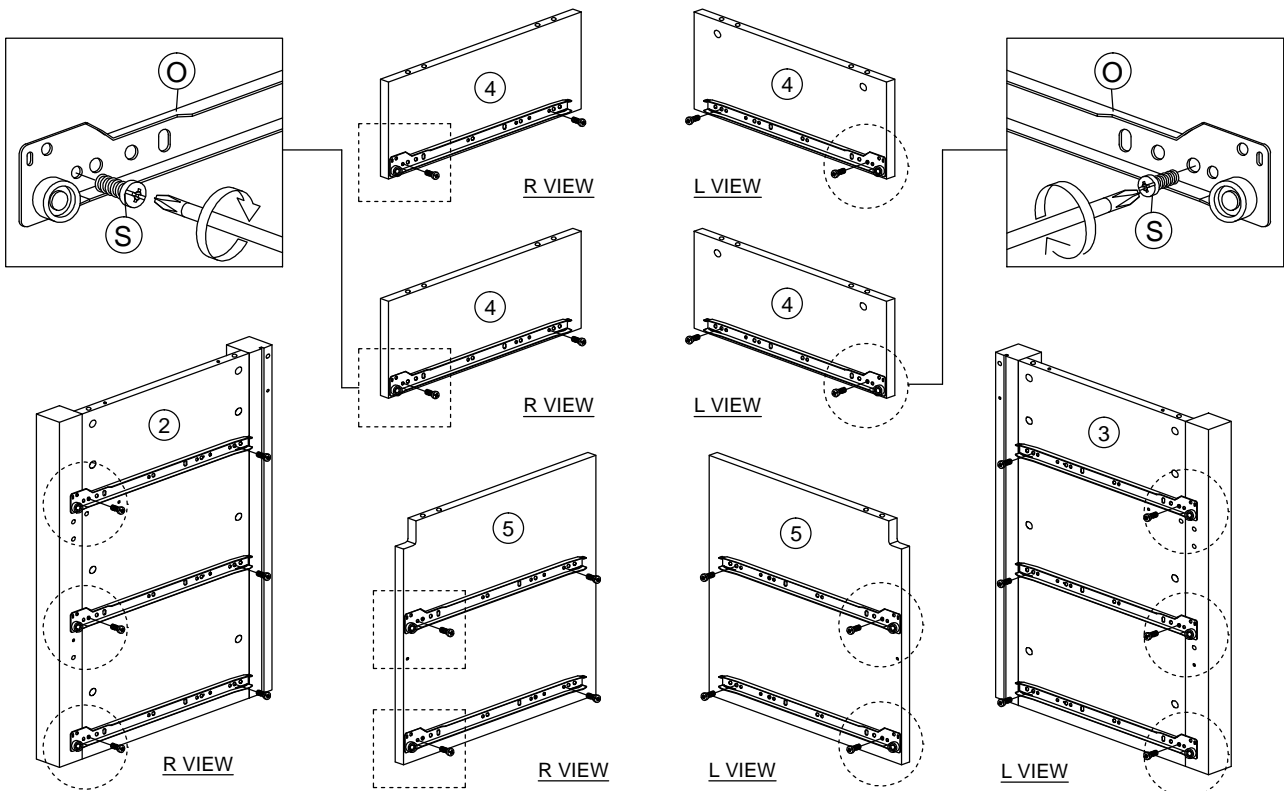
STEP 2

C	 CAM BOLT	28
---	--	----



STEP 3

S	 EURO SCREW 6 X 9	28
O	 DRAWER SLIDE 14"	14



THE USE OF POWER TOOLS TO ASSEMBLE THIS PRODUCT WILL INVALIDATE ANY CLAIM AND MAY DAMAGE THIS PRODUCT MAKING IT UNSAFE.



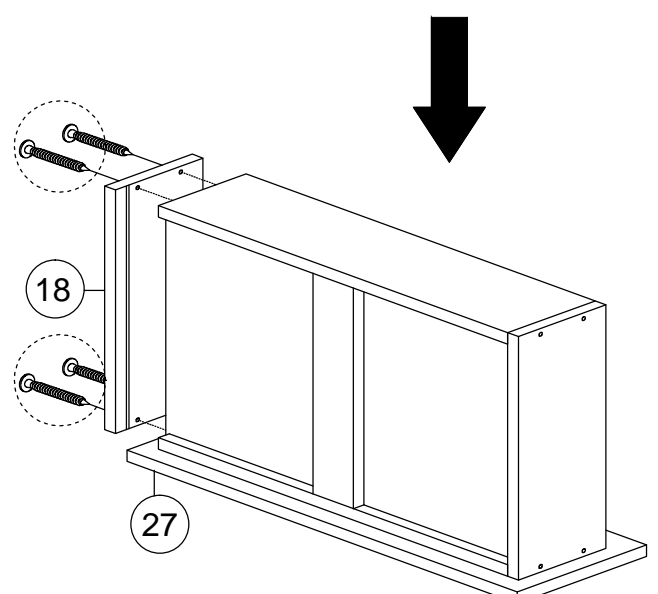
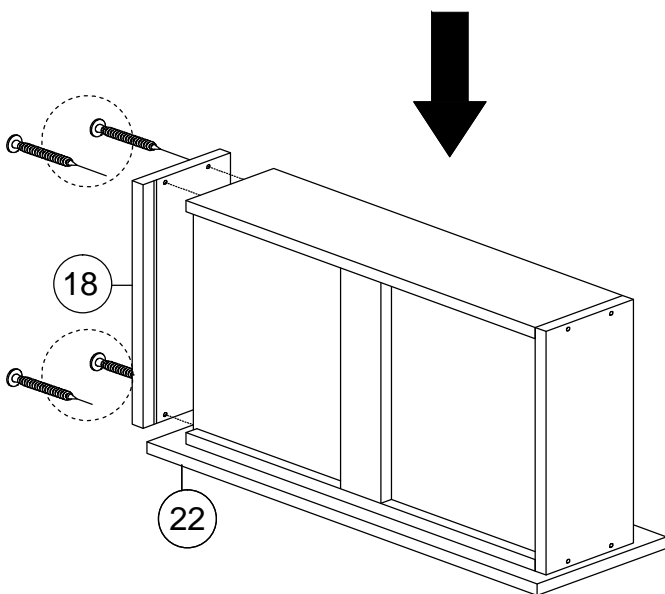
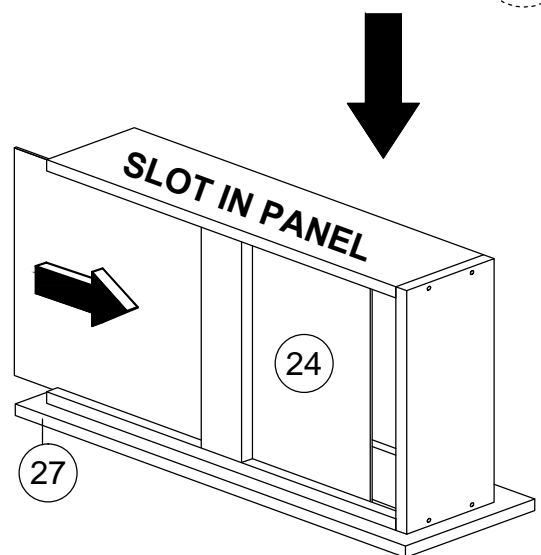
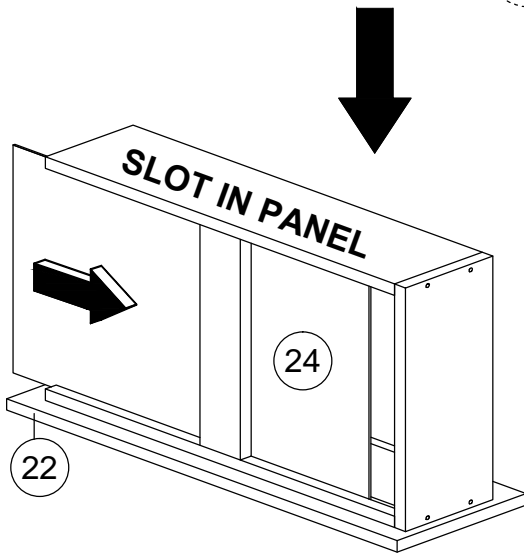
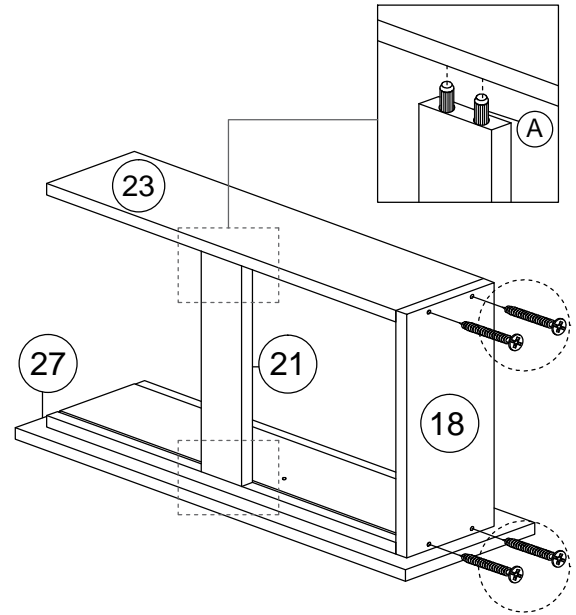
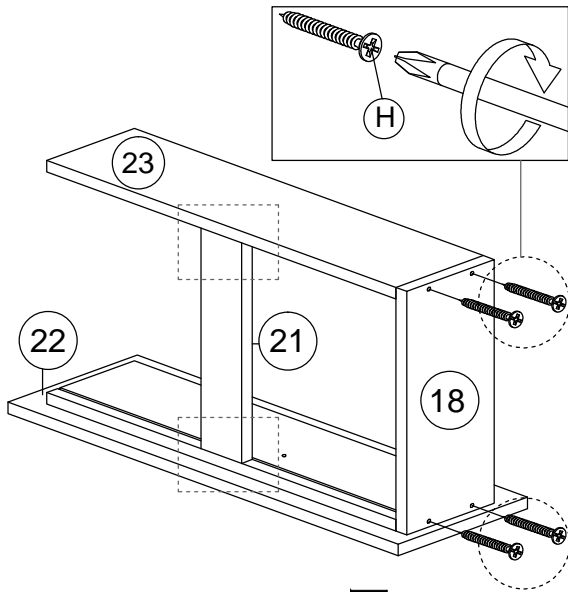
STEP 4

H



CB SCREW M4 x 38MM

32





DRAWER BIG (L) X2

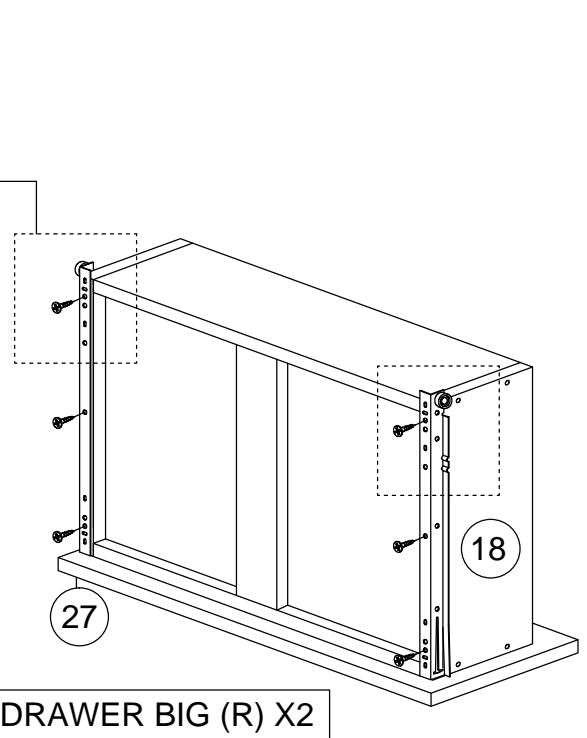
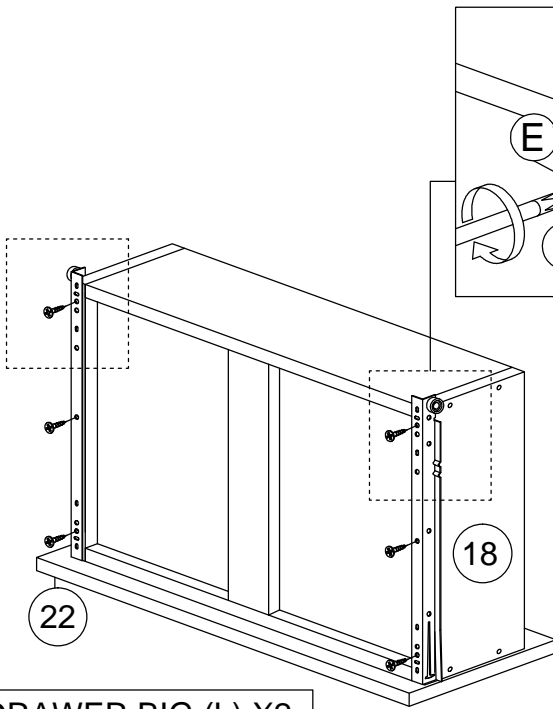
DRAWER BIG (R) X2

THE USE OF POWER TOOLS TO ASSEMBLE THIS PRODUCT WILL INVALIDATE ANY CLAIM AND MAY DAMAGE THIS PRODUCT MAKING IT UNSAFE.

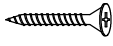


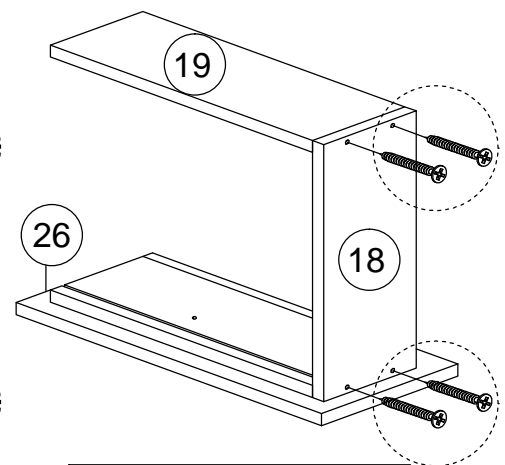
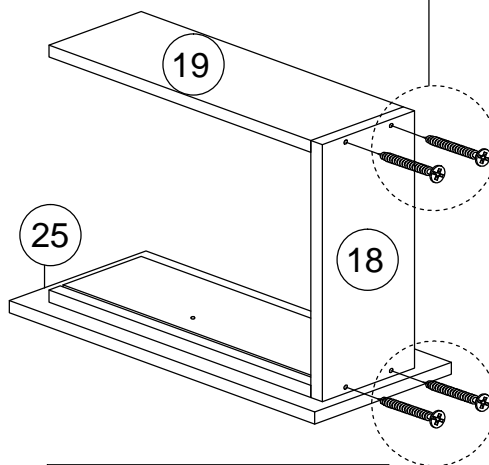
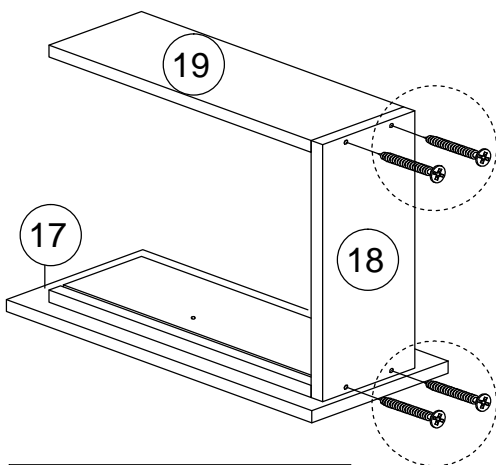
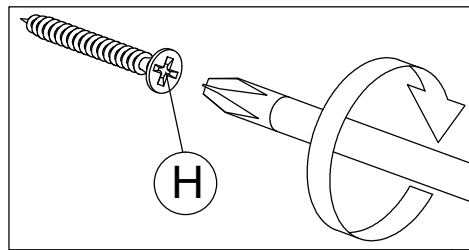
STEP 5

E	 CB SCREW M3.5 x 16MM	24
P	 DRAWER SLIDE 14"	8



STEP 6


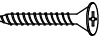

H	 CB SCREW M4 x 38MM	12
---	--	----



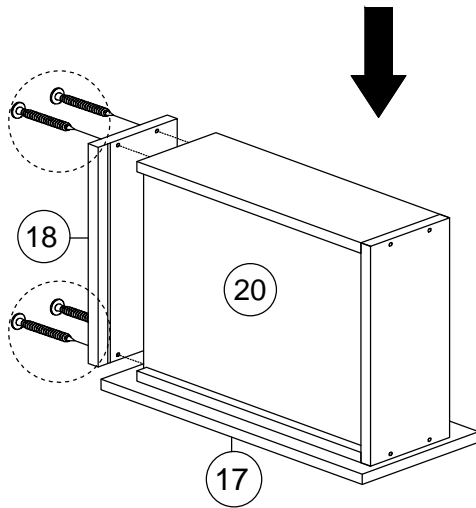
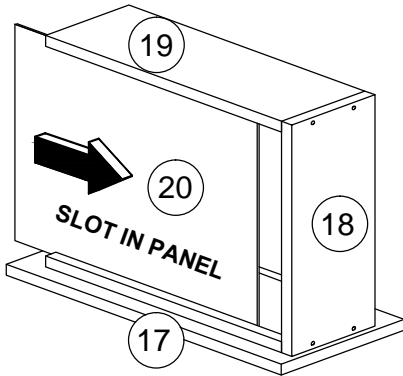
THE USE OF POWER TOOLS TO ASSEMBLE THIS PRODUCT WILL INVALIDATE ANY CLAIM AND MAY DAMAGE THIS PRODUCT MAKING IT UNSAFE.



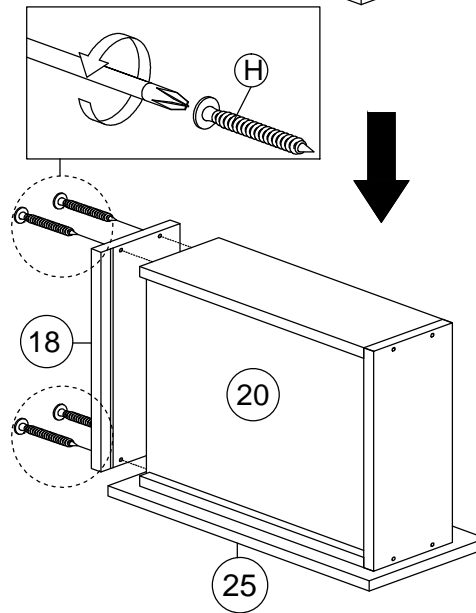
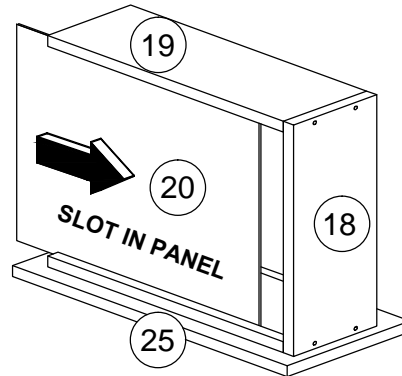
STEP 7

E		CB SCREW M3.5 x 16MM	18
H		CB SCREW M4 x 38MM	12
P		DRAWER SLIDE 14"	6

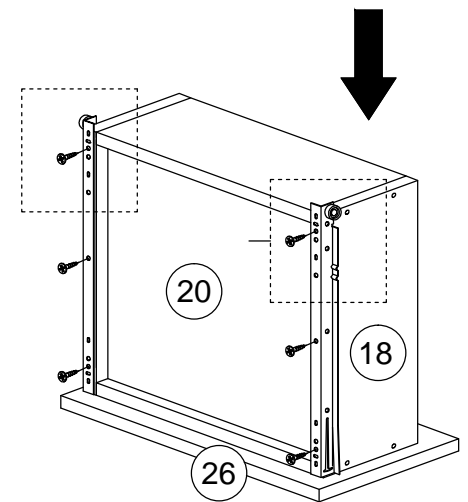
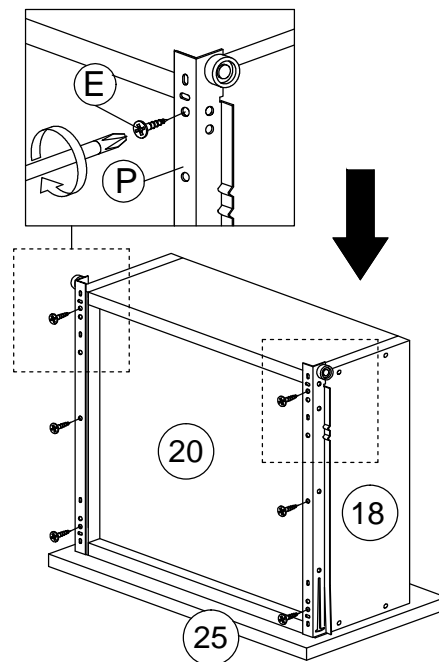
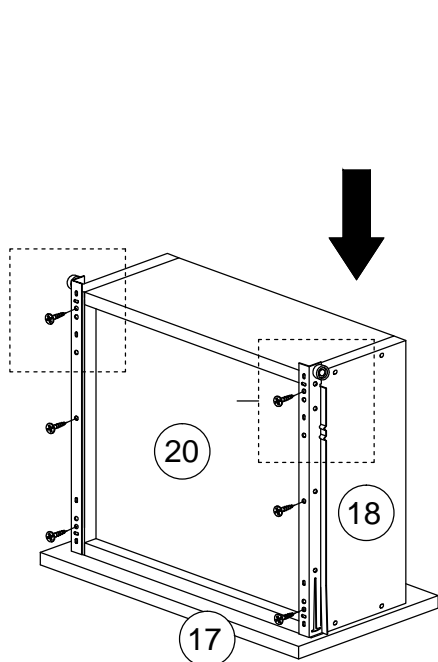
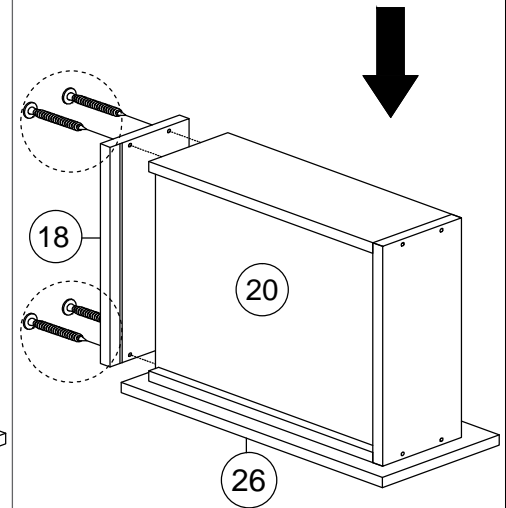
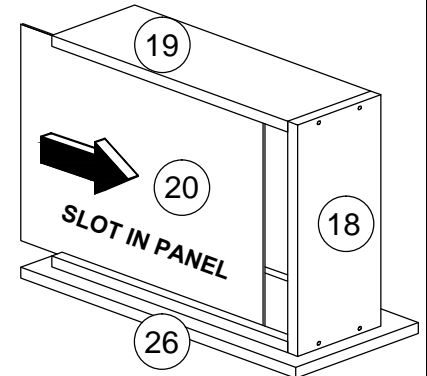
DRAWER SMALL (L)



DRAWER SMALL (C)





DRAWER SMALL (R)

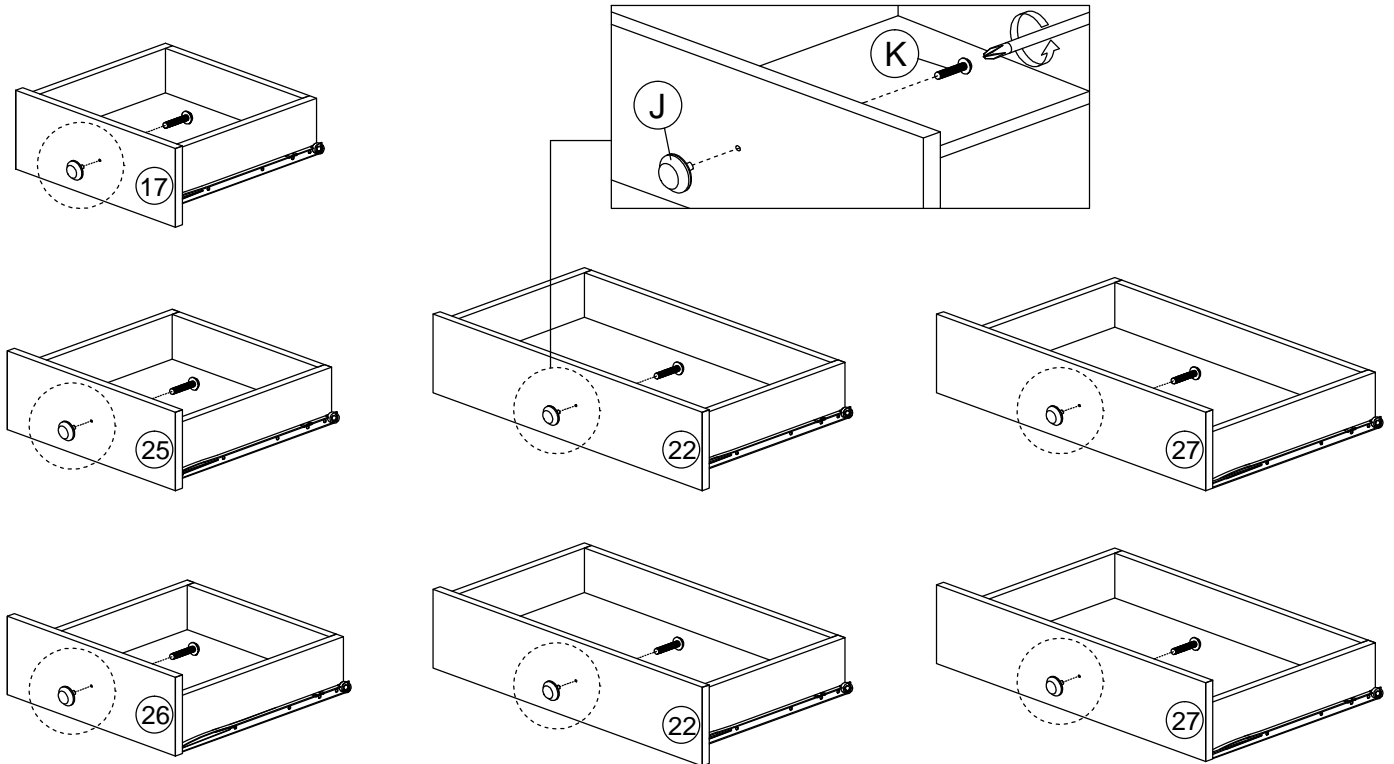


THE USE OF POWER TOOLS TO ASSEMBLE THIS PRODUCT WILL INVALIDATE ANY CLAIM AND MAY DAMAGE THIS PRODUCT MAKING IT UNSAFE.






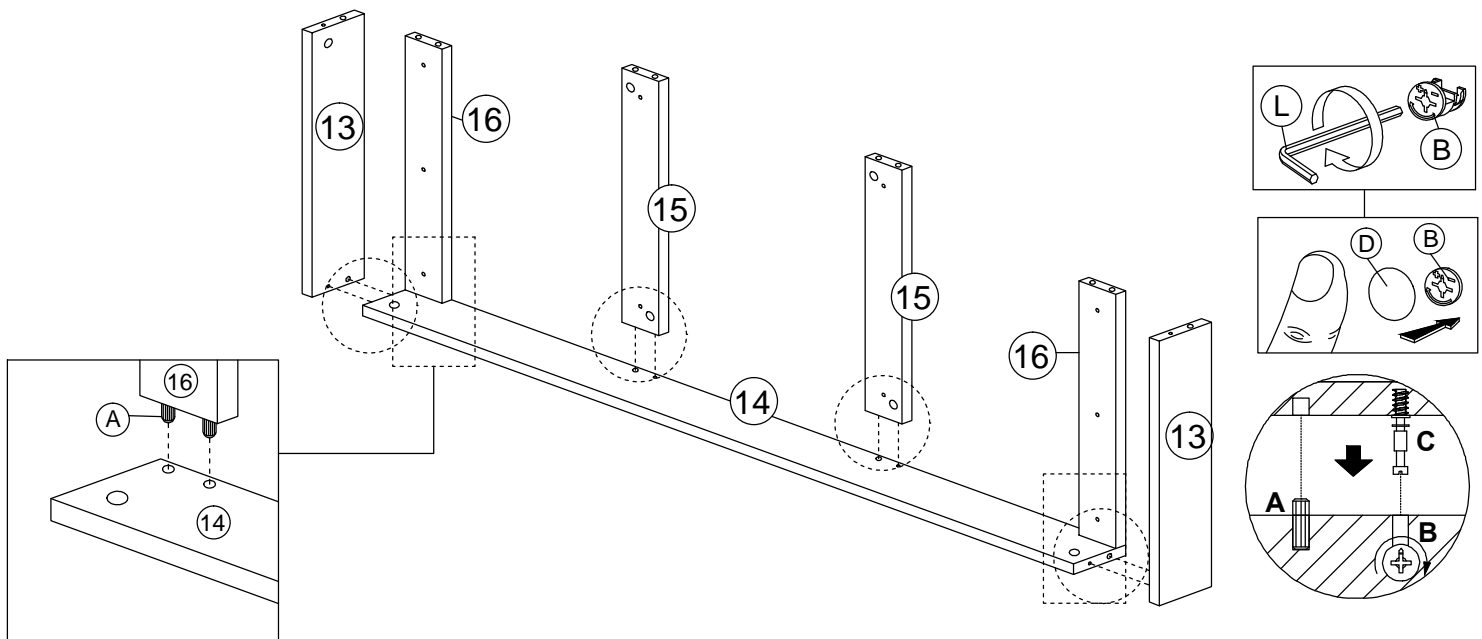
STEP 8

J		HANDLE 3A	7
K		HANDLE SCREW M4 x 35MM	7



STEP 9



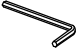
B		CAM NUT	4
D		CAM CAP	4
L		ALLEN KEY M4	1

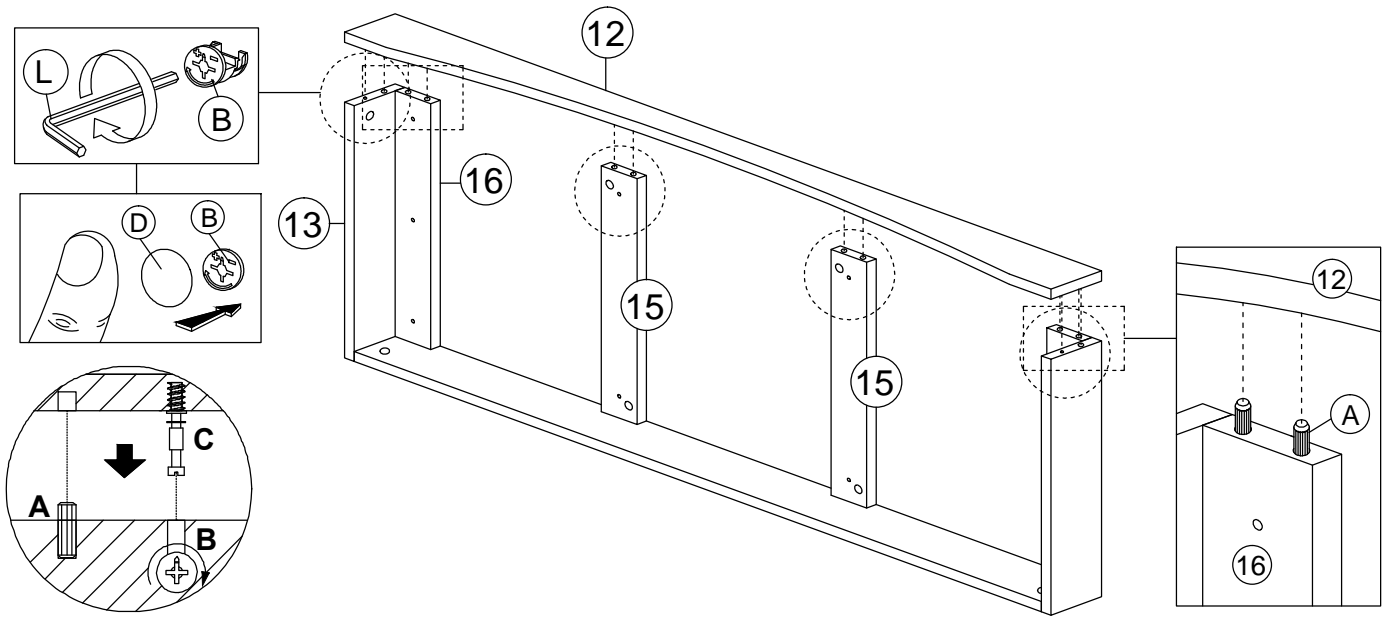


THE USE OF POWER TOOLS TO ASSEMBLE THIS PRODUCT WILL INVALIDATE ANY CLAIM AND MAY DAMAGE THIS PRODUCT MAKING IT UNSAFE.

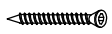
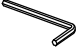


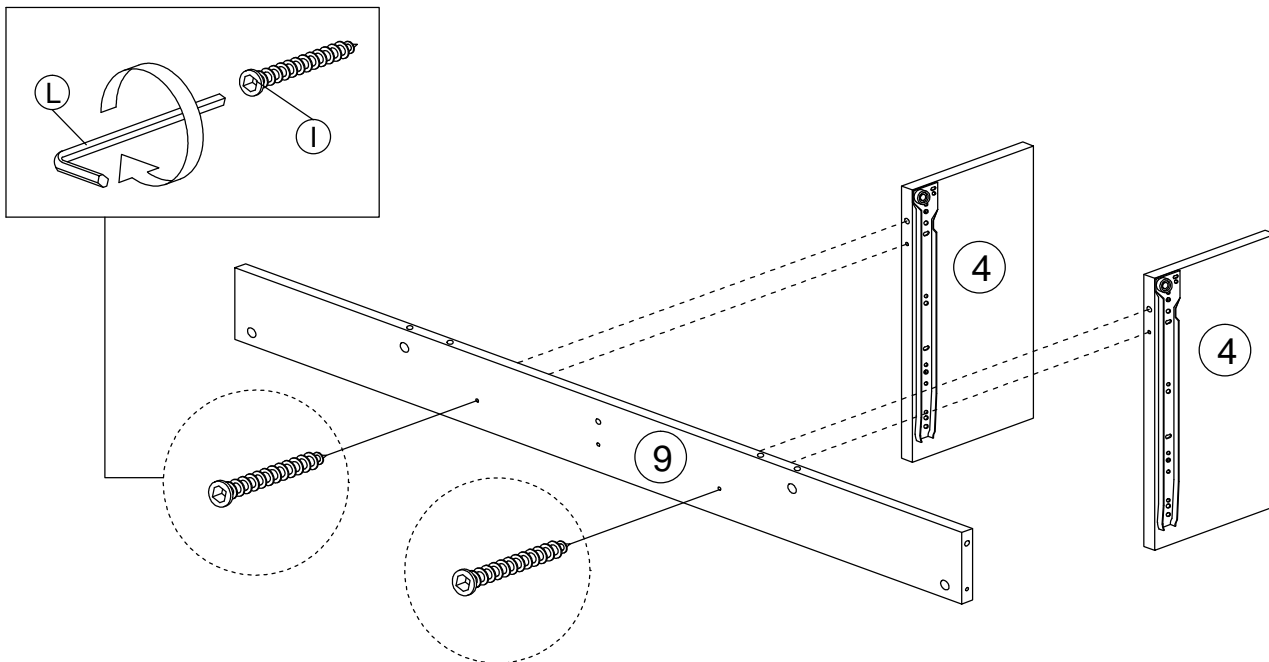
STEP 10

B		CAM NUT	4
D		CAM CAP	4
L		ALLEN KEY M4	1



STEP 11


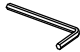
I		CSKC CAP WOOD M6 x 50MM	2
L		ALLEN KEY M4	1

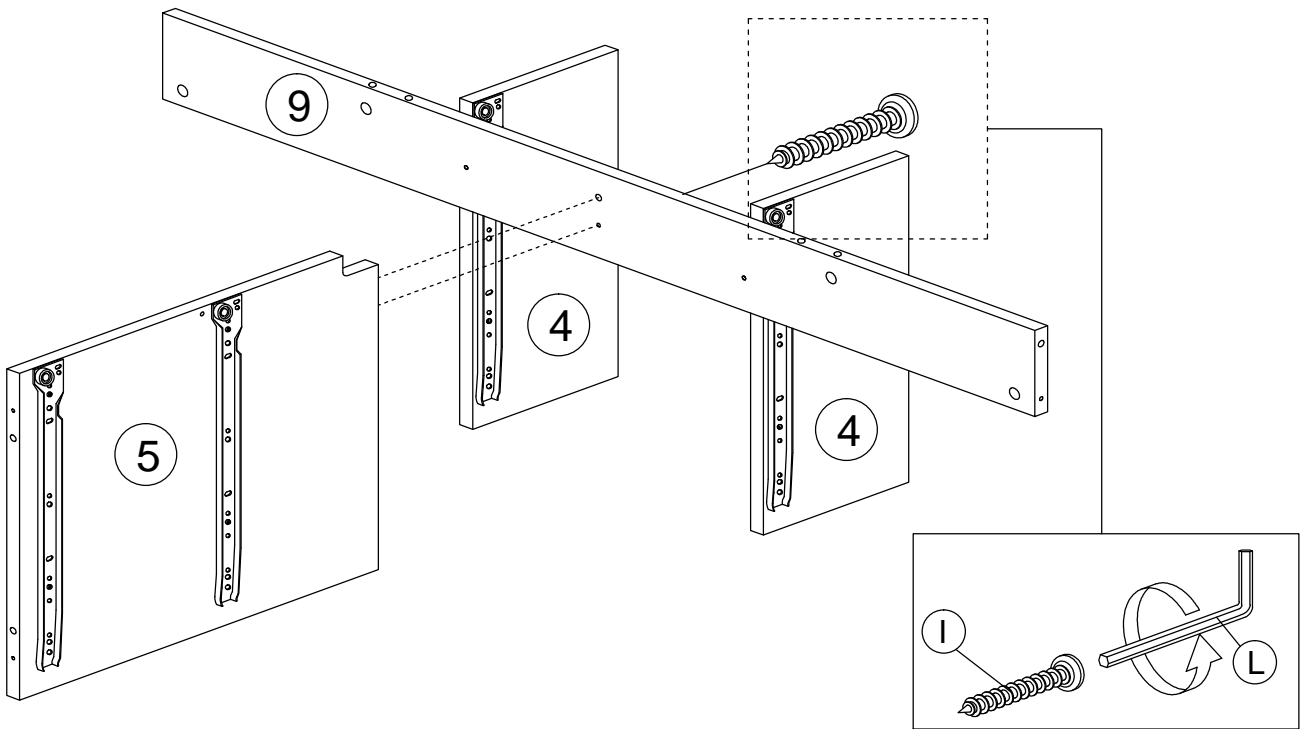


THE USE OF POWER TOOLS TO ASSEMBLE THIS PRODUCT WILL INVALIDATE ANY CLAIM AND MAY DAMAGE THIS PRODUCT MAKING IT UNSAFE.



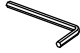


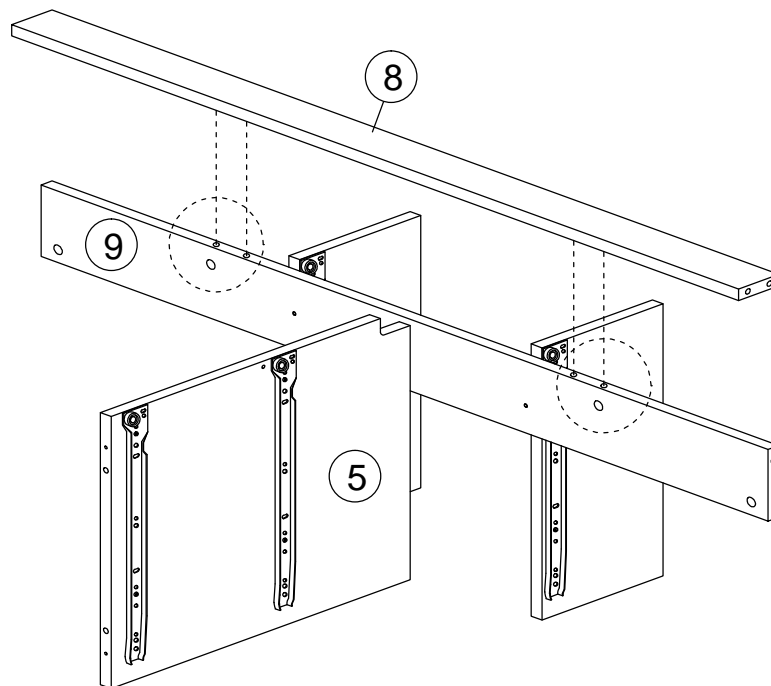
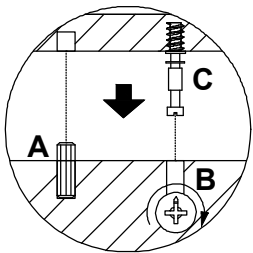
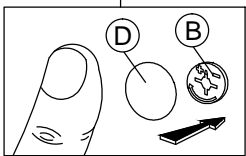
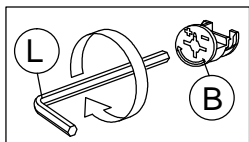
STEP 12

I	 CSKC CAP WOOD M6 x 50MM	1
L	 ALLEN KEY M4	1



STEP 13




B	 CAM NUT	2
D	 CAM CAP	2
L	 ALLEN KEY M4	1

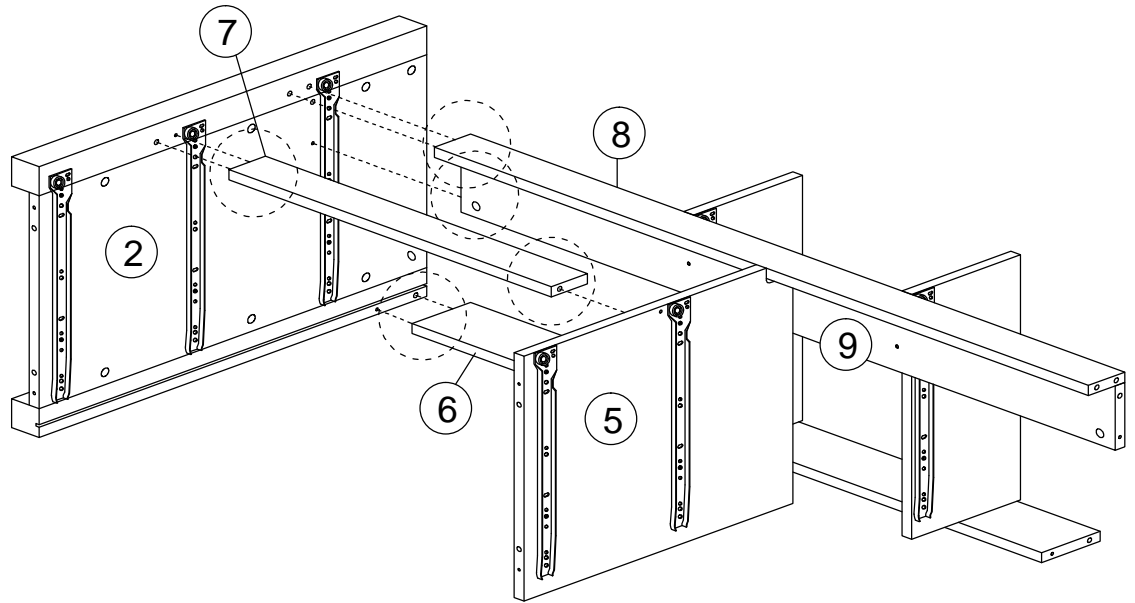
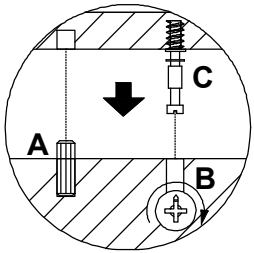
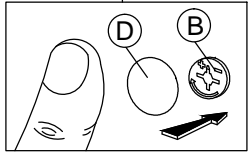
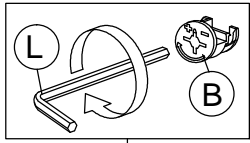


THE USE OF POWER TOOLS TO ASSEMBLE THIS PRODUCT WILL INVALIDATE ANY CLAIM AND MAY DAMAGE THIS PRODUCT MAKING IT UNSAFE.



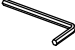


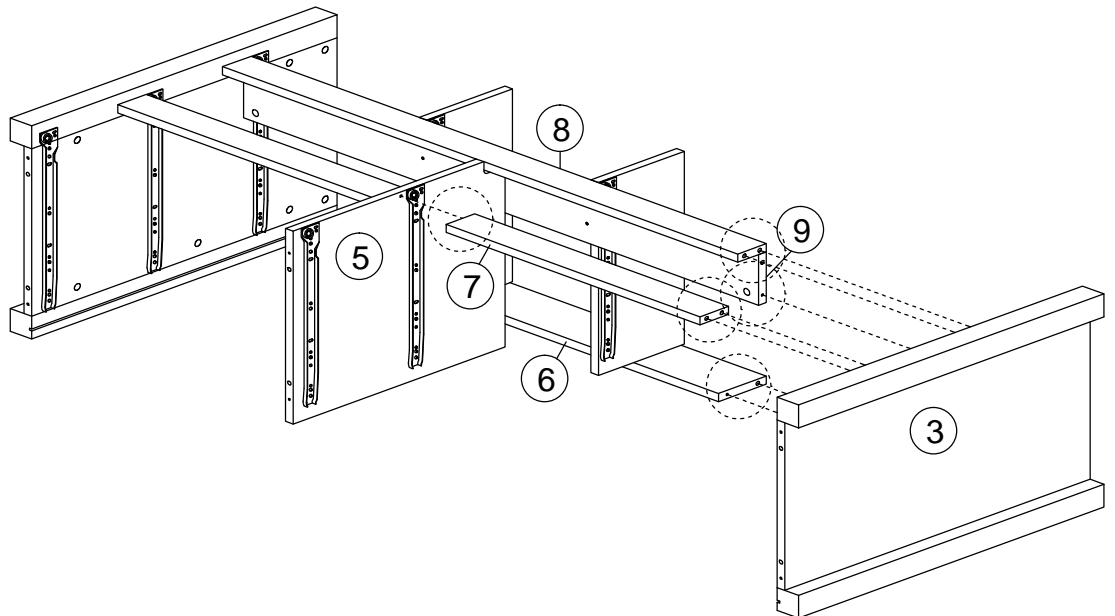
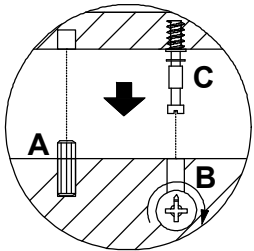
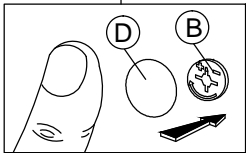
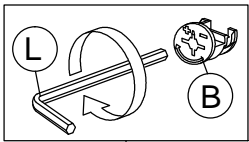
STEP 14

B		CAM NUT	5
D		CAM CAP	5
L		ALLEN KEY M4	1



STEP 15


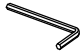
B		CAM NUT	5
D		CAM CAP	5
L		ALLEN KEY M4	1

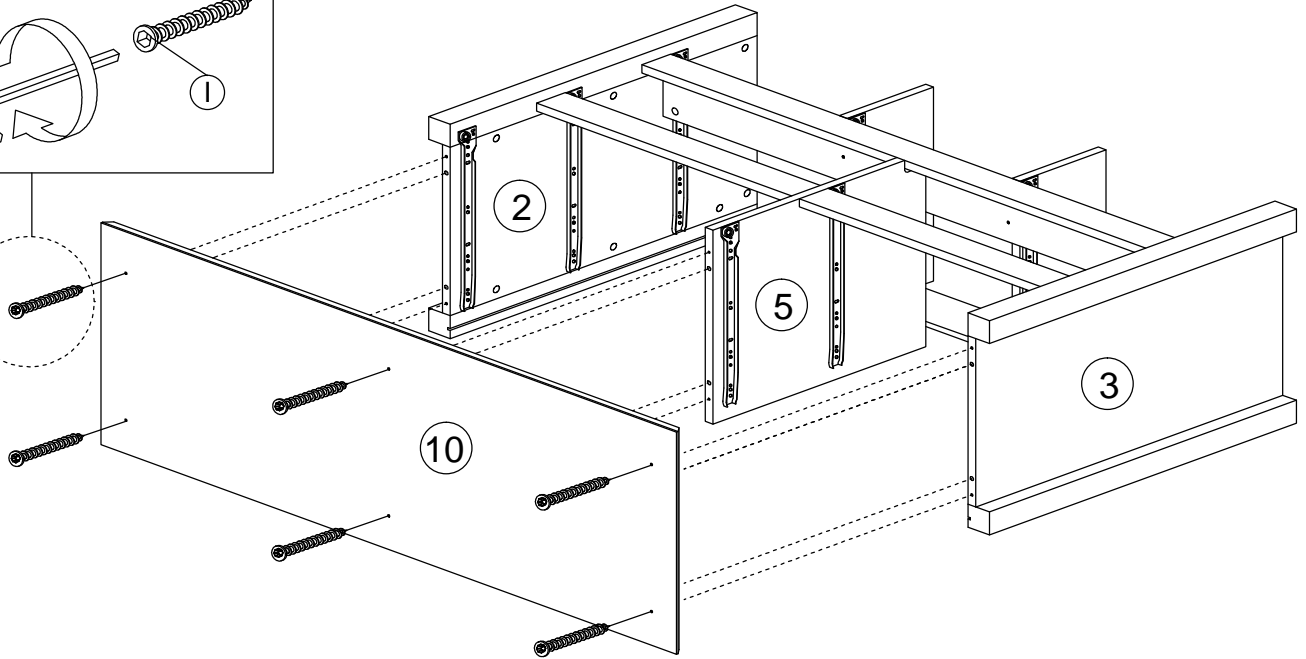
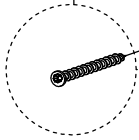
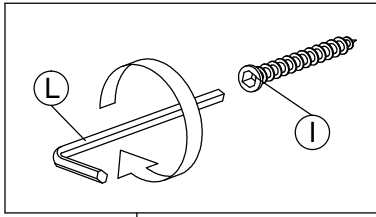


THE USE OF POWER TOOLS TO ASSEMBLE THIS PRODUCT WILL INVALIDATE ANY CLAIM AND MAY DAMAGE THIS PRODUCT MAKING IT UNSAFE.




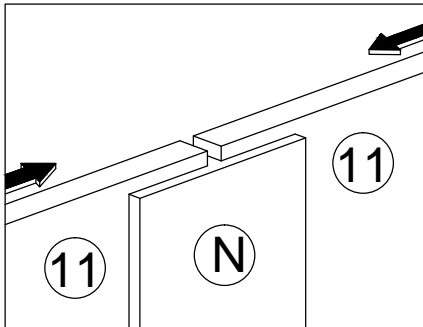
STEP 16

I	 CSKC CAP WOOD M6 x 50MM	6
L	 ALLEN KEY M4	1

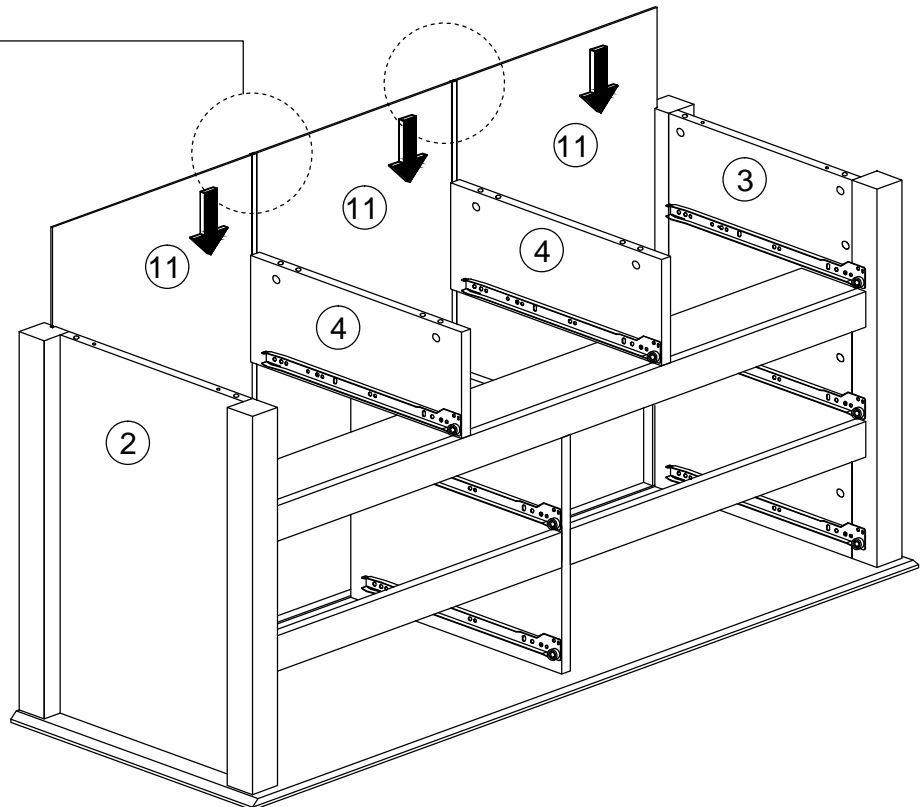


STEP 17

N	 PVH 3MM -639MM	2
---	--	---





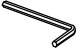
SLOT IN BACK PANEL

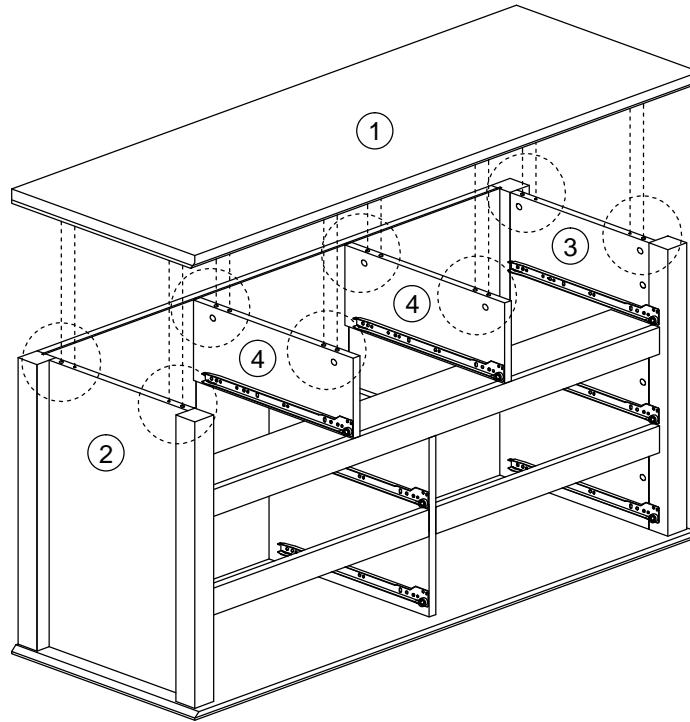
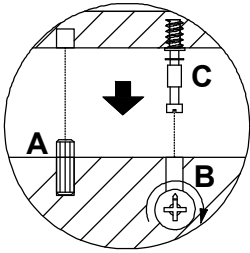
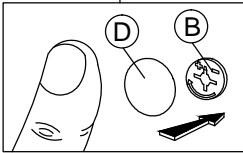
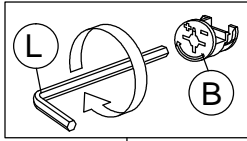


THE USE OF POWER TOOLS TO ASSEMBLE THIS PRODUCT WILL INVALIDATE ANY CLAIM AND MAY DAMAGE THIS PRODUCT MAKING IT UNSAFE.

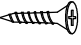
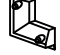


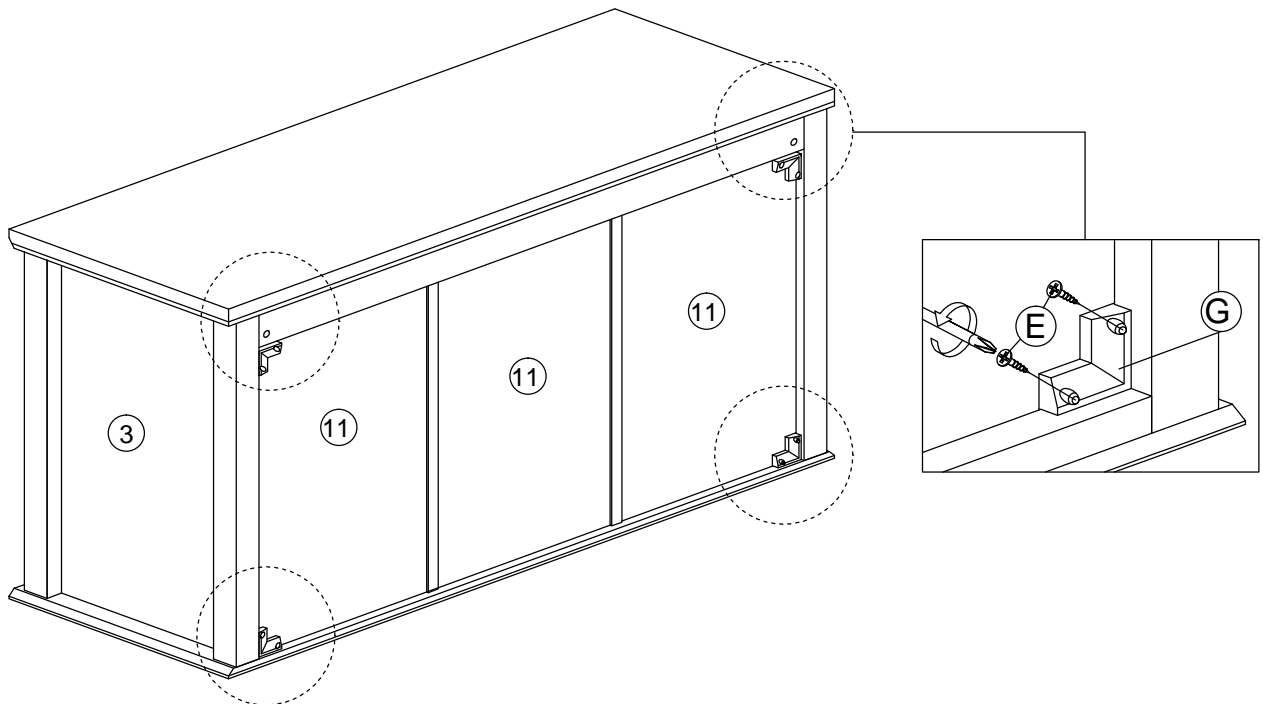
STEP 18

B		CAM NUT	8
D		CAM CAP	8
L		ALLEN KEY M4	1



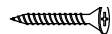
STEP 19

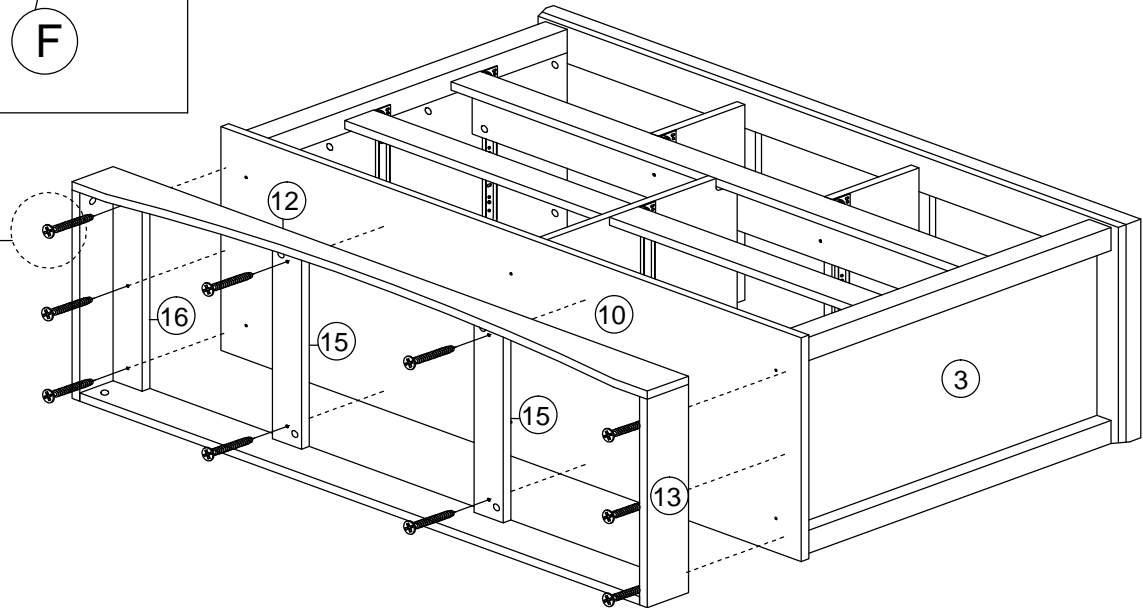
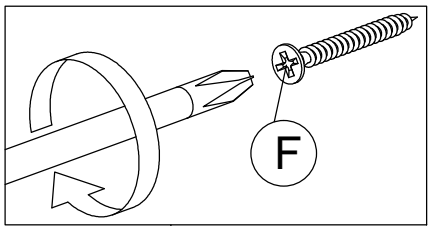
E		CB SCREW M3.5 x 16MM	8
G		PVC CORNER L BRACKET	4



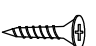

THE USE OF POWER TOOLS TO ASSEMBLE THIS PRODUCT WILL INVALIDATE ANY CLAIM AND MAY DAMAGE THIS PRODUCT MAKING IT UNSAFE.

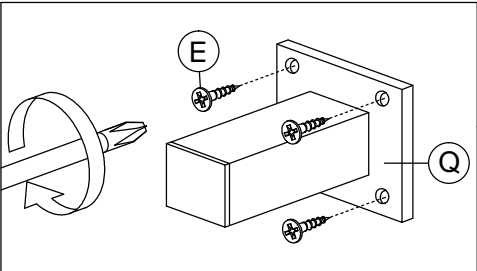
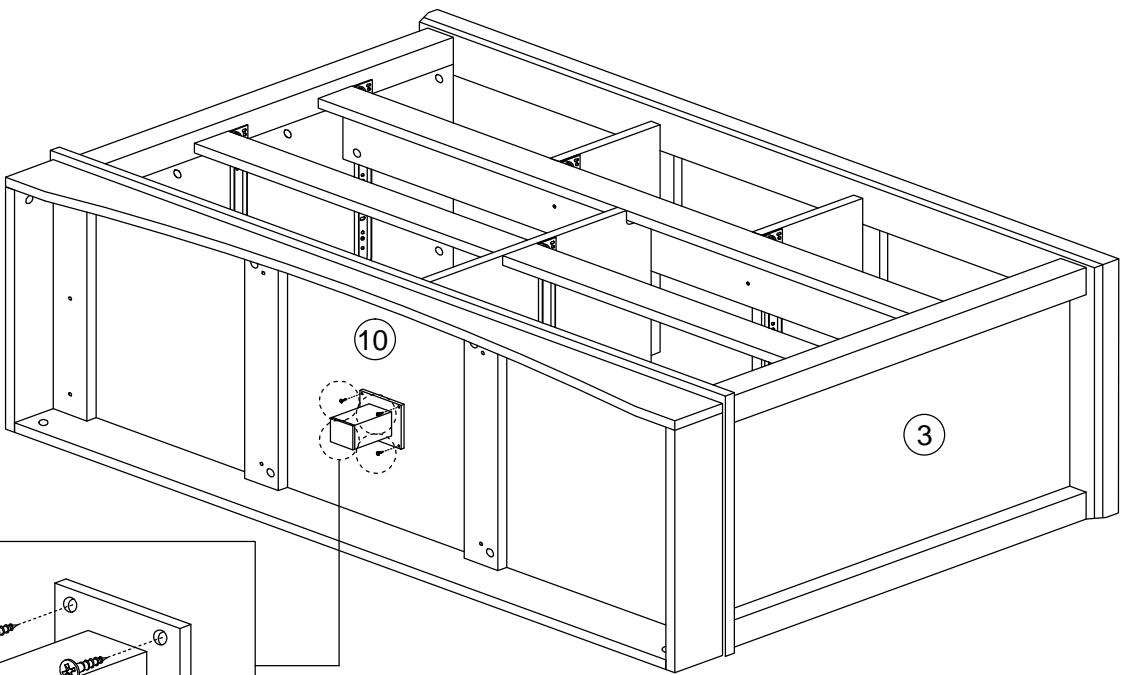


F		CB SCREW M4 x 28MM	10
---	--	--------------------	----



STEP 21

E		CB SCREW M3.5 x 16MM	4
Q		METAL CENTER LEG - 85MM	1

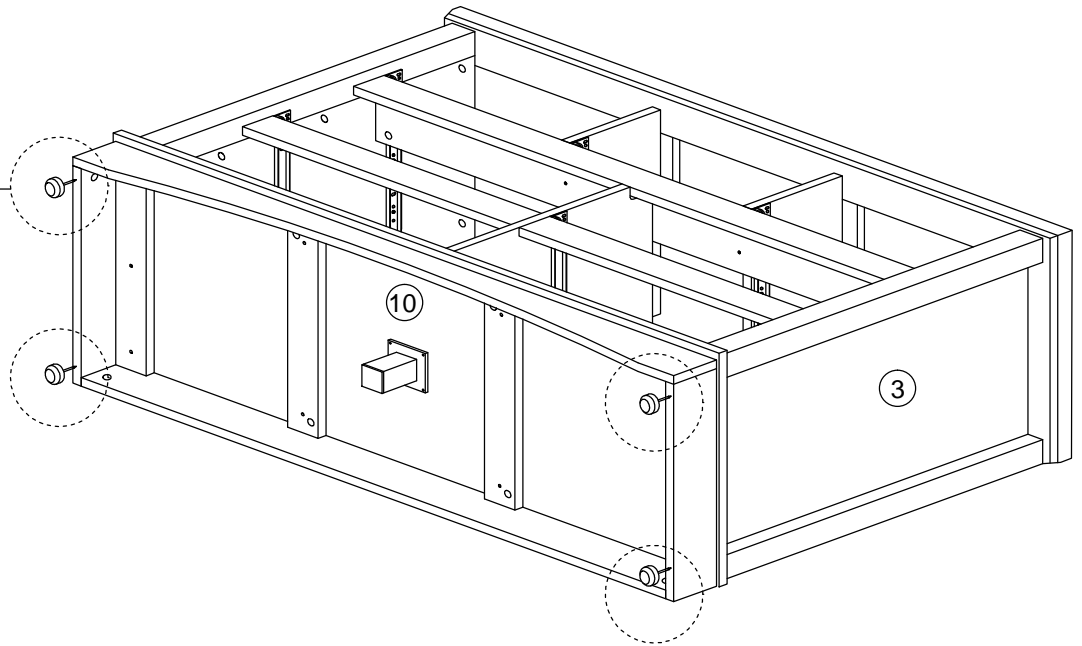
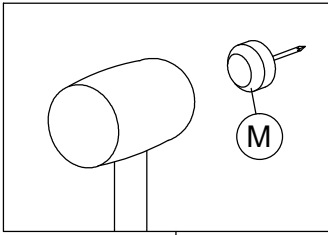


THE USE OF POWER TOOLS TO ASSEMBLE THIS PRODUCT WILL INVALIDATE ANY WARRANTY CLAIM AND MAY DAMAGE THIS PRODUCT MAKING IT UNSAFE.

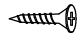



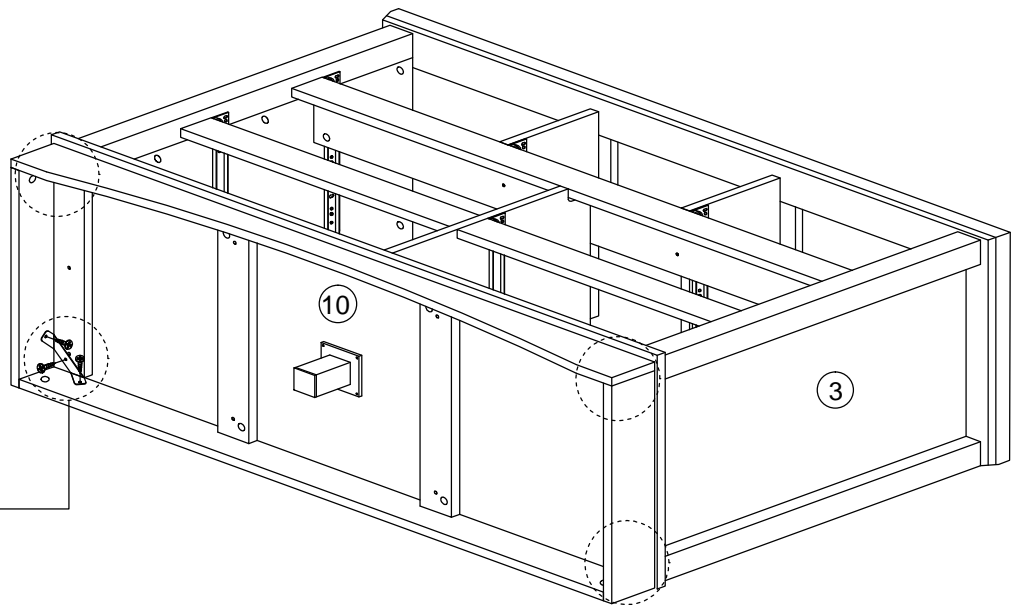
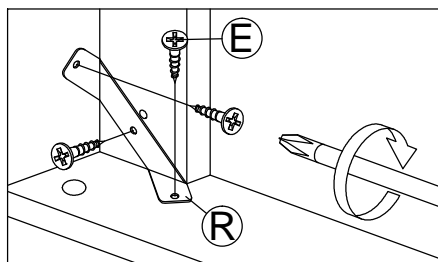
STEP 22

M		PVC NAIL WITH PIN 5/8	5
---	--	-----------------------	---



STEP 23

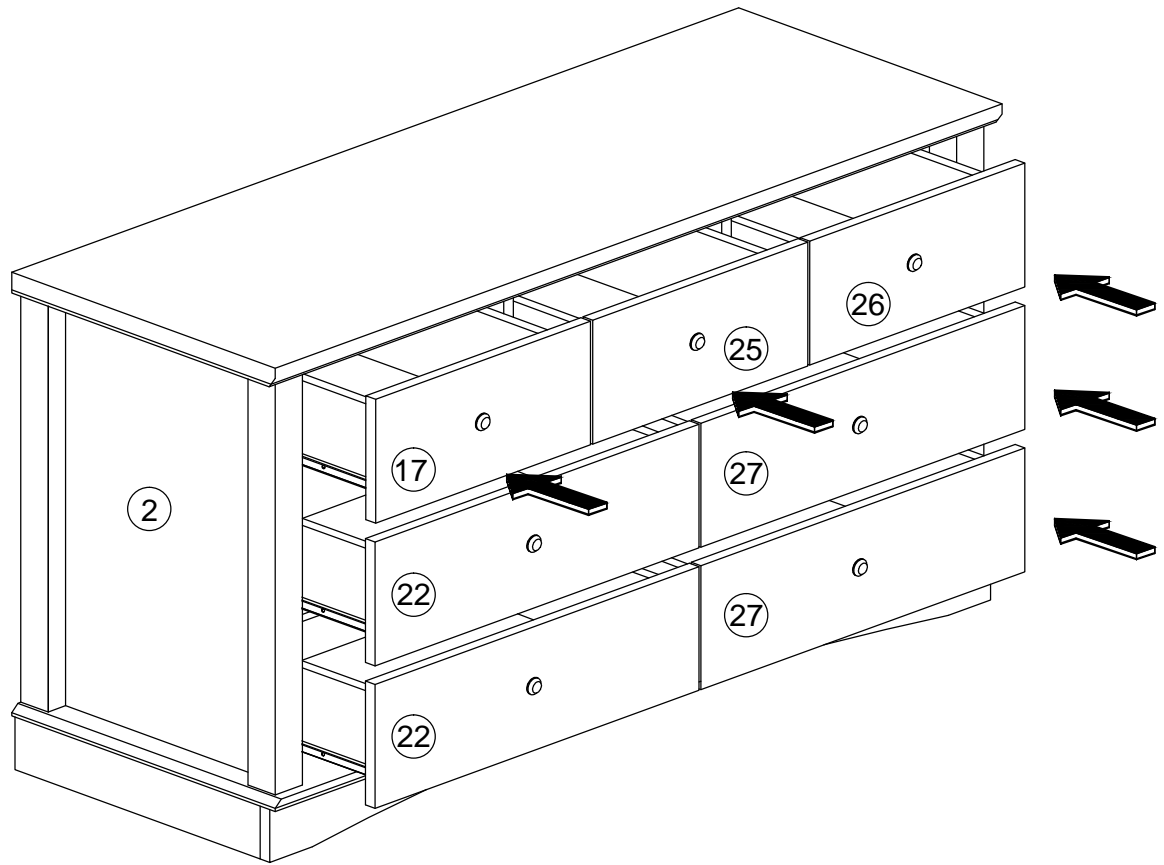
E		CB SCREW M3.5 x 16MM	12
R		BAT BRACKET-V	4



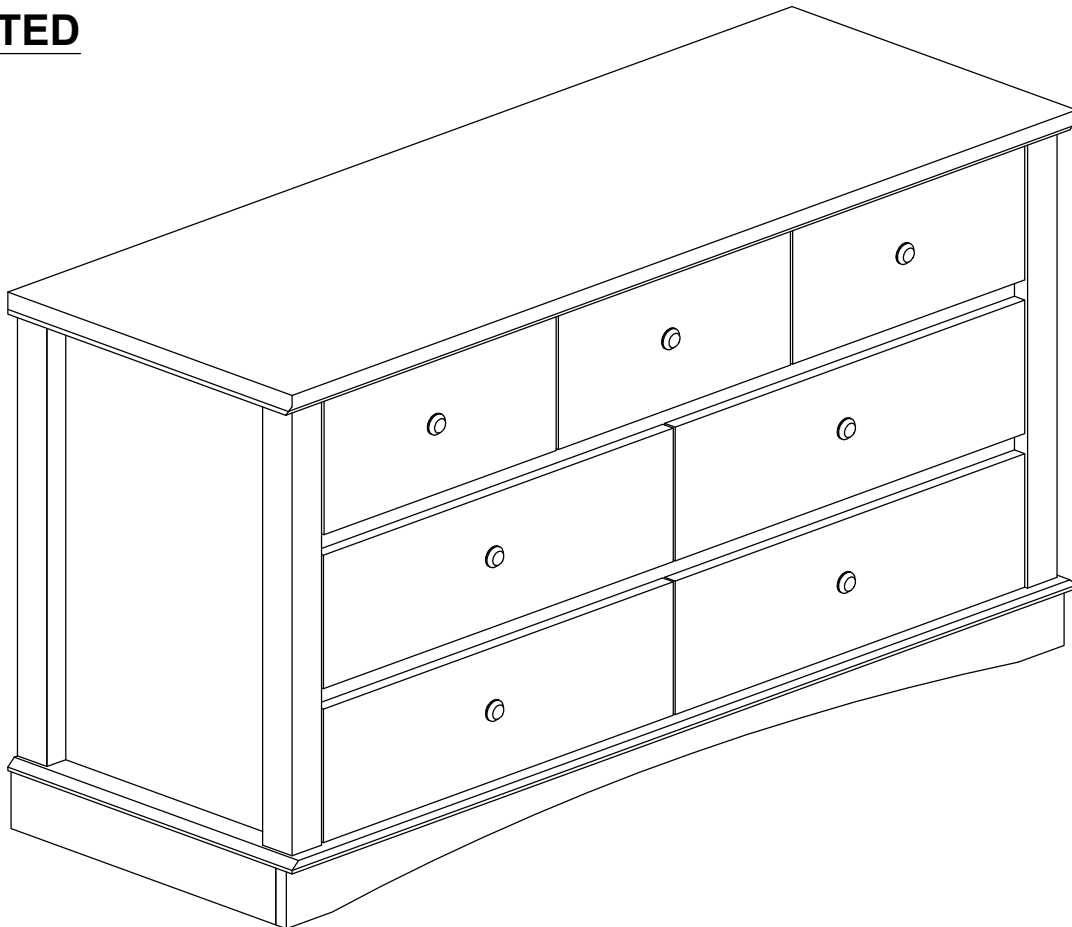
THE USE OF POWER TOOLS TO ASSEMBLE THIS PRODUCT WILL INVALIDATE ANY CLAIM AND MAY DAMAGE THIS PRODUCT MAKING IT UNSAFE.



STEP 24



COMPLETED

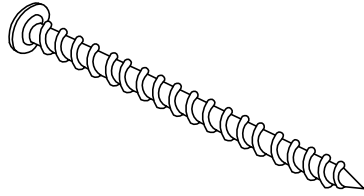


THE USE OF POWER TOOLS TO ASSEMBLE THIS PRODUCT WILL INVALIDATE ANY CLAIM AND MAY DAMAGE THIS PRODUCT MAKING IT UNSAFE.

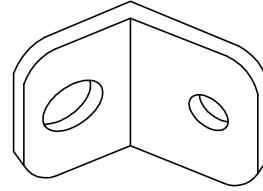


Installation of Anti-Tip Restraint

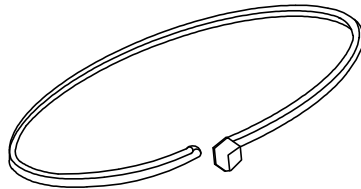
Kit includes:



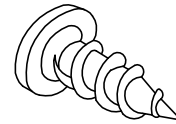
A (x1)
Long screw



B (x2)
Mounting bracket



C (x1)
Restraint strap



D (x1)
Short screw



WARNING



Serious or fatal crushing injuries can occur from furniture tip-over. To help Prevent tip-over:

- Install tip-over restraint provided
- Place heaviest items in the lower drawers
- Do not set TV's or other heavy objects on top of this product
- Never allow children to climb or hang on drawers, doors or shelves
- Never open more than one drawer at a time
- Do not defeat or remove the drawer interlock system

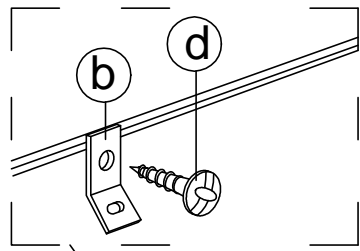
Use tip-over restraints may only reduce but not eliminate the risk of tip-over.

IMPORTANT: Use of this safety kit is mandatory. This restraint is not a substitute for proper adult supervision. Failure to detach this restraint before moving furniture may result in injury and damage.

FITTING OF ANTI-TIP SAFETY STRAP

STEP 1:

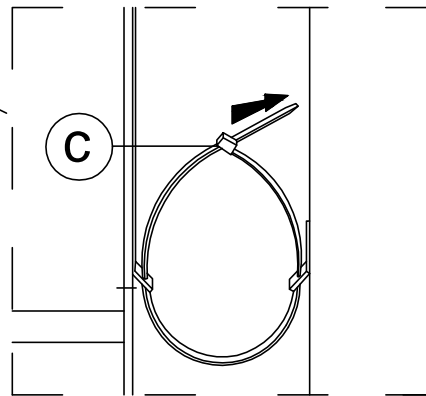
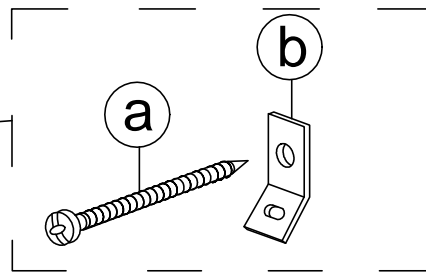
- Attach the mounting bracket (b) to the furniture in the solid part below the top panel a few inches away from the side of the unit.
- Screw (d) through the smallest hole of (b).



BACK SIDE OF TOP PANEL

STEP 2:

- Locate a stud in behind the have to
- Place the other mounting bracket (b) on the wall stud 2 inches below the mounting bracket secured to the back of your unit.
- Attach to the wall stud using (a) through the smaller hole of (b).



STEP 3:

- Repeat the same step a few inches away from the other side of the unit.
- Place the furniture into position so both mounting brackets are vertically in line.
- Lace the end of the restraint strap through the larger holes in each mounting bracket.
- Secure the straps and lock into place.

FURNITURE

WALL

